

445 part 2

104G/3N04E VOLUME I 57° 131° S-E  
2 parts REPORT ON THE INDUCED POLARIZATION ~~104G/3N04~~  
AND AFMAG SURVEYS  
ON THE  
G. C. -HAB-BUY CLAIM GROUPS DURING 1962  
LIARD MINING DIVISION, B. C.  
FOR  
KENNCO EXPLORATIONS (WESTERN) LIMITED

BY

P. G. HALLOF, PH. D.

AND

R. A. BELL, PH. D.

NAME AND LOCATION OF PROPERTY:

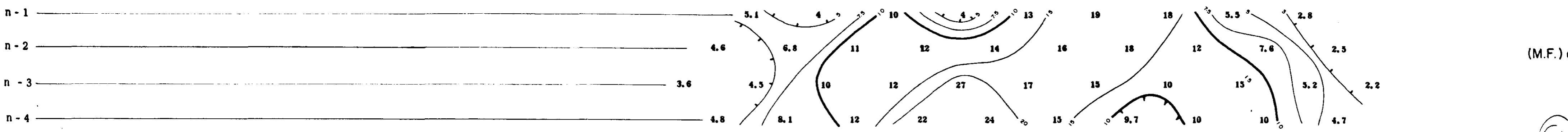
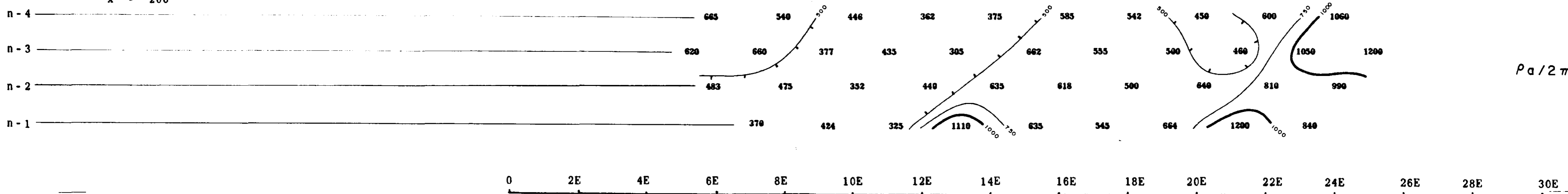
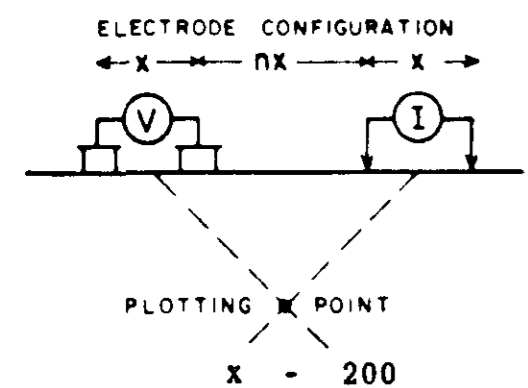
GALORE CREEK AREA,  
G. C. -HAB-BUY CLAIM GROUPS, 57°, 131° SE

DATE STARTED - JUNE 18, 1962

DATE COMPLETED - AUGUST 31, 1962

445

McPHAR GEOPHYSICS LIMITED  
INDUCED POLARIZATION AND RESISTIVITY SURVEY



ANOMALOUS ZONE —————  
POSSIBLE ANOMALOUS ZONE - - - - -  
NOTE  
LOGARITHMIC CONTOUR INTERVAL

KENNCO EXPLORATIONS (WESTERN) LIMITED  
GALORE CREEK-LIARD MINING DIVISION, B.C.  
Scale - One inch = 200 Feet

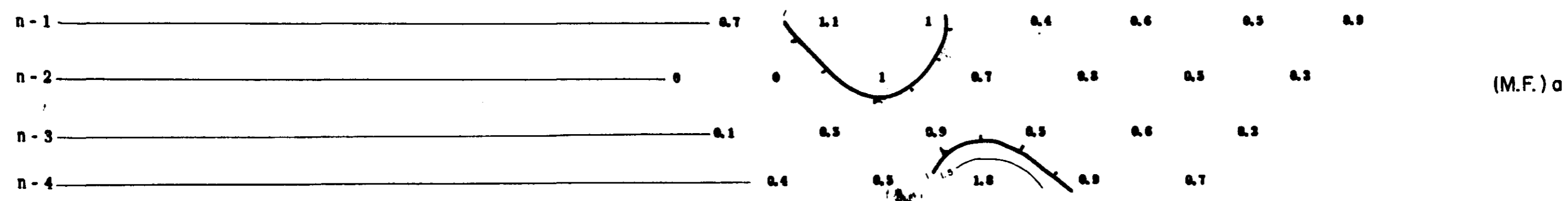
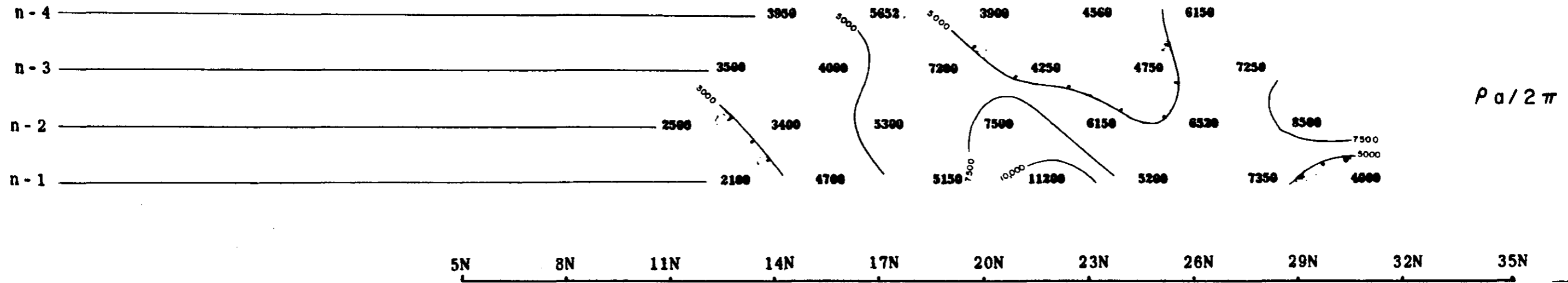
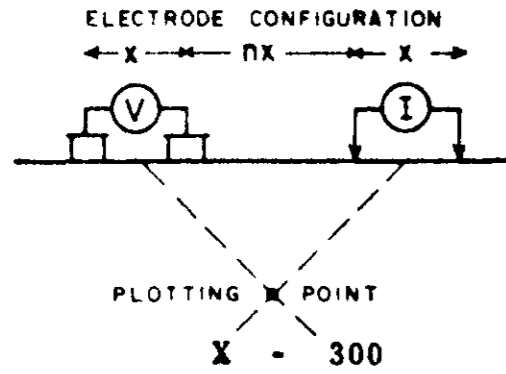
FREQUENCY - 31-5 CPS  
DATE SURVEYED - JULY 1962  
APPROVED PI  
DATE 10/3/62

M1

LINE NO.-0

# McPHAR GEOPHYSICS LIMITED

## INDUCED POLARIZATION AND RESISTIVITY SURVEY



ANOMALOUS ZONE

POSSIBLE ANOMALOUS ZONE

NOTE  
LOGARITHMIC CONTOUR INTERVAL

### KENNCO EXPLORATIONS (WESTERN) LIMITED

GALORE CREEK-LIARD MINING DIVISION, B.C.

Scale - One inch = 300 Feet

(M2)

FREQUENCY - 31 - 5 CPS

DATE SURVEYED - JULY 1962

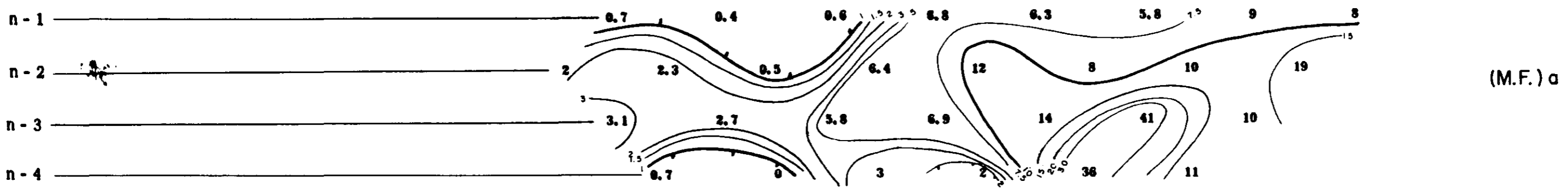
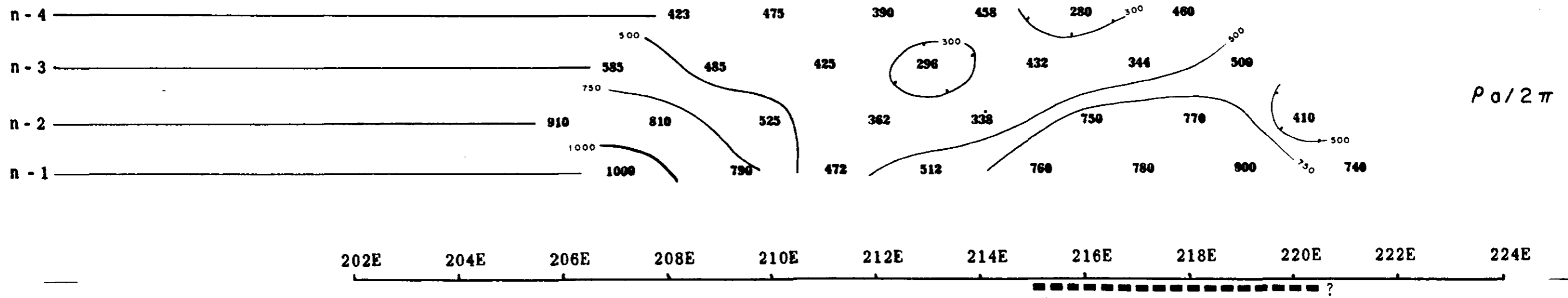
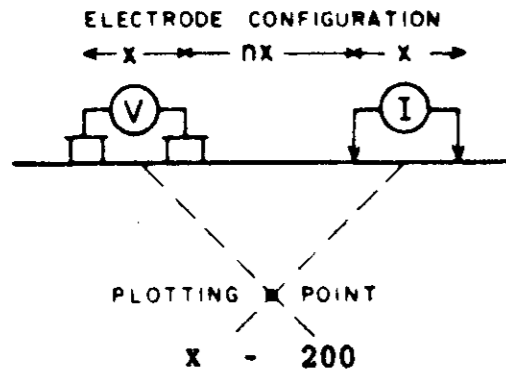
APPROVED PI

DATE 10/3/62

LINE NO.-P

# McPHAR GEOPHYSICS LIMITED

## INDUCED POLARIZATION AND RESISTIVITY SURVEY



LINE NO.-160 N.

## KENNCO EXPLORATIONS (WESTERN) LIMITED

GALORE CREEK-LIARD MINING DIVISION, B. C.

Scale - One inch = 200 Feet

ANOMALOUS ZONE   
 POSSIBLE ANOMALOUS ZONE   
 NOTE  
 LOGARITHMIC CONTOUR INTERVAL

FREQUENCY 31-5 CPS

DATE SURVEYED JULY 1962

APPROVED PI

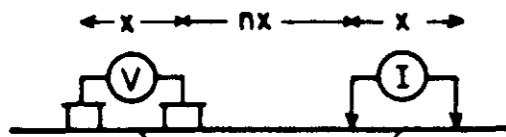
DATE 10/3/62

M3

# McPHAR GEOPHYSICS LIMITED

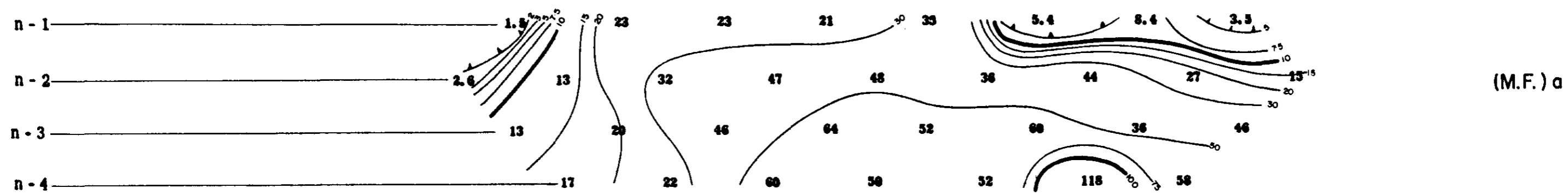
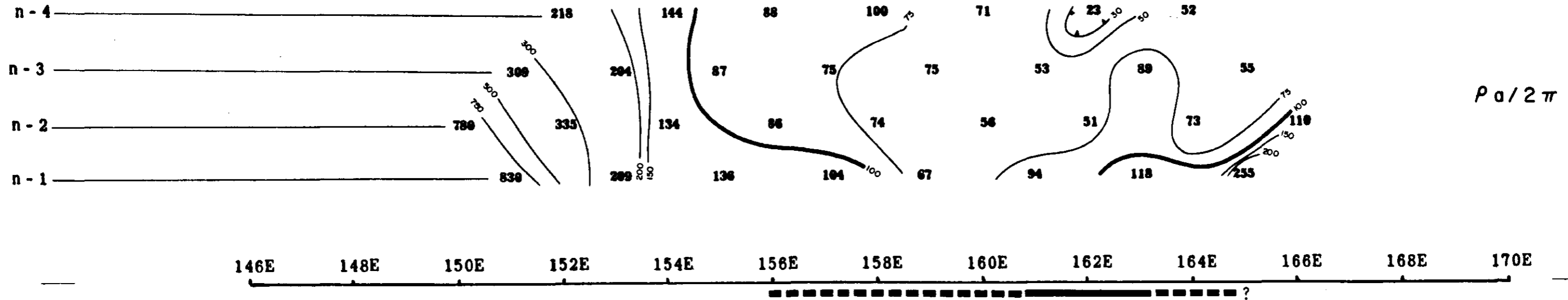
## INDUCED POLARIZATION AND RESISTIVITY SURVEY

ELECTRODE CONFIGURATION



PLOTTING POINT

x = 200



LINE NO. - 168 N

# KENNCO EXPLORATIONS (WESTERN) LIMITED

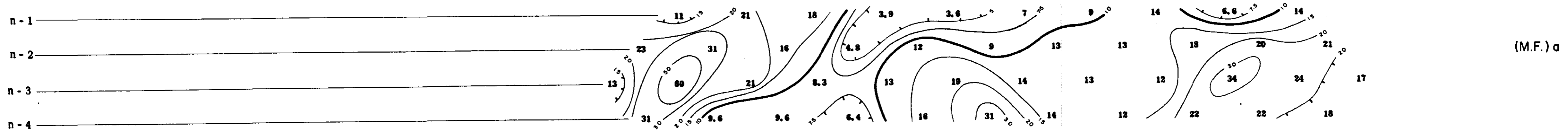
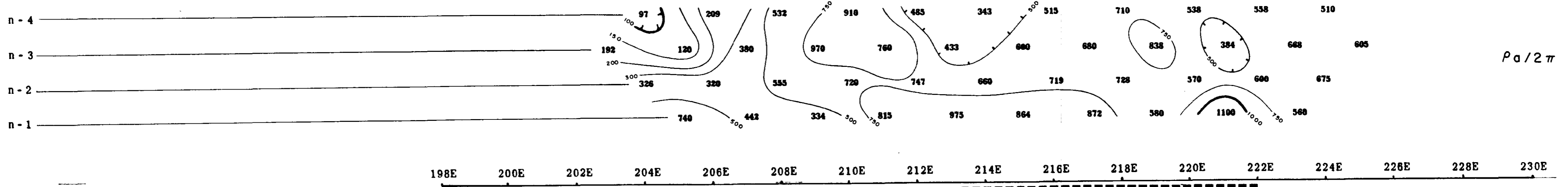
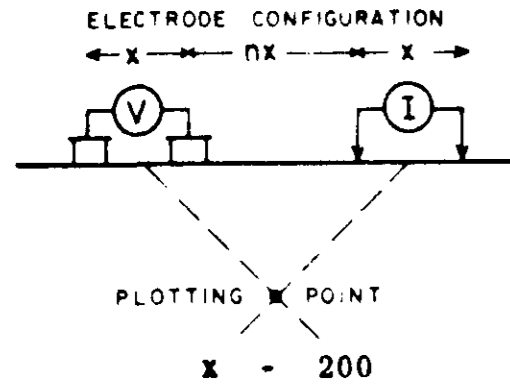
GALORE CREEK-LIARD MINING DIVISION, B. C.

Scale - One inch = 200 Feet

ANOMALOUS ZONE   
 POSSIBLE ANOMALOUS ZONE   
 NOTE   
 LOGARITHMIC CONTOUR INTERVAL

FREQUENCY - 31 - 5 CPS   
 DATE SURVEYED JULY 1962   
 APPROVED   
 DATE 10/3/62

McPHAR GEOPHYSICS LIMITED  
INDUCED POLARIZATION AND RESISTIVITY SURVEY



ANOMALOUS ZONE —————  
POSSIBLE ANOMALOUS ZONE - - - - -  
NOTE  
LOGARITHMIC CONTOUR INTERVAL

KENNCO EXPLORATIONS (WESTERN) LIMITED

GALORE CREEK-LIARD MINING DIVISION, B.C.

Scale - One inch = 200 Feet

FREQUENCY 31-5 CPS

DATE SURVEYED JULY 1962

APPROVED *PI*

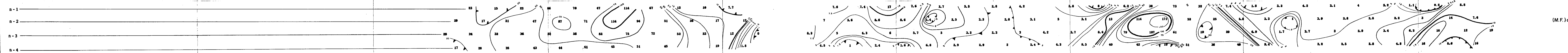
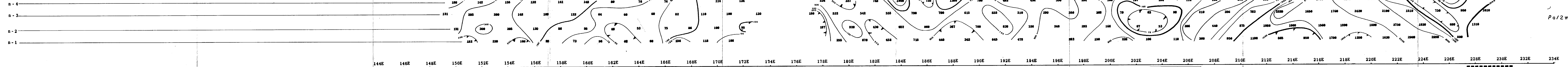
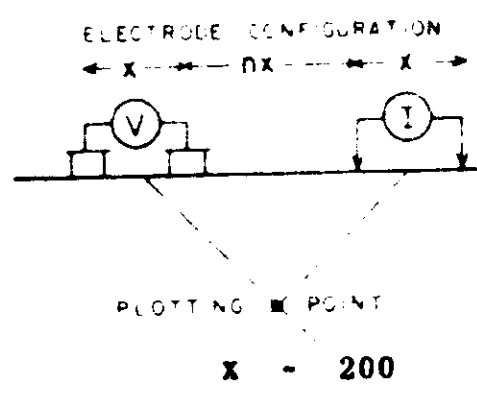
DATE 10/3/62

MS

LINE NO.-168N

2931-6

McPHAR GEOPHYSICS LIMITED  
INDUCED POLARIZATION AND RESISTIVITY SURVEY



ANOMALOUS ZONE  
POSSIBLE ANOMALOUS ZONE  
NOTE  
LOGARITHMIC CONTOUR INTERVAL

KENCO EXPLORATIONS (WESTERN) LIMITED  
GALORE CREEK - LIARD MINING DIVISION, B.C.  
Scale - One inch = 200 Feet

$\rho_a / 2\pi$

(M.F.) $\alpha$

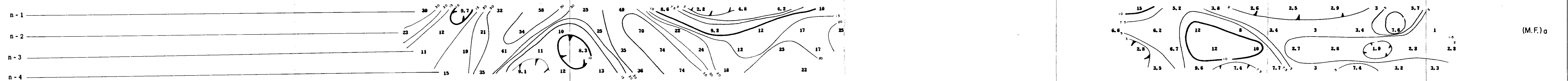
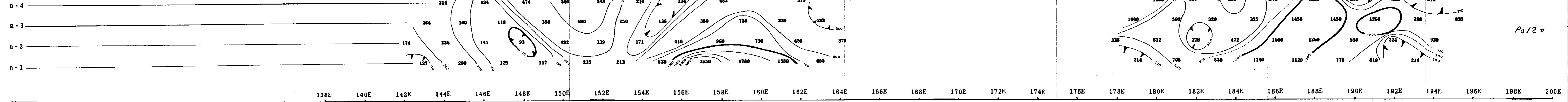
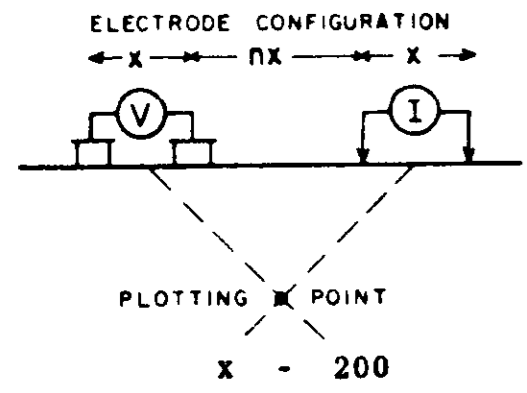
FREQUENCY 31 - 5 CPS  
DATE SURVEYED JULY 62  
APPROVED [Signature]  
DATE 10/3/62

LINE NO - 176 N





### McPHAR GEOPHYSICS LIMITED INDUCED POLARIZATION AND RESISTIVITY SURVEY



ANOMALOUS ZONE **—————**  
 POSSIBLE ANOMALOUS ZONE **- - - - -**  
 NOTE  
 LOGARITHMIC CONTOUR INTERVAL

**KENNCO EXPLORATIONS (WESTERN) LIMITED**  
 GALORE CREEK-LIARD MINING DIVISION, B.C.  
 Scale - One inch = 200 Feet

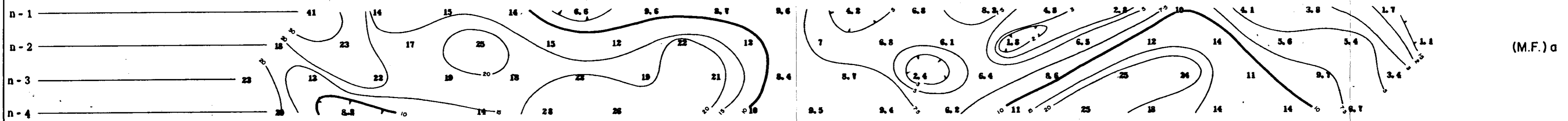
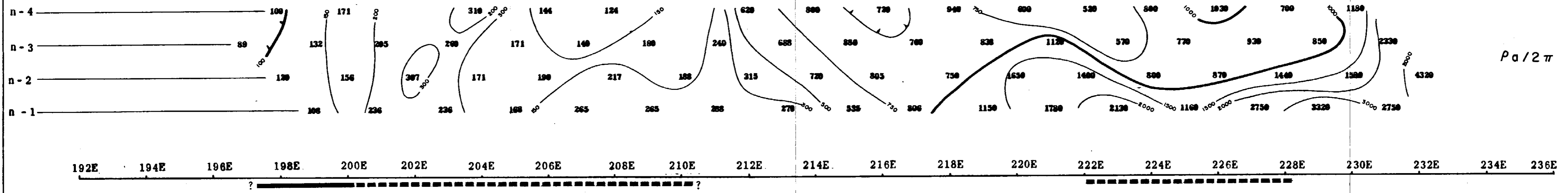
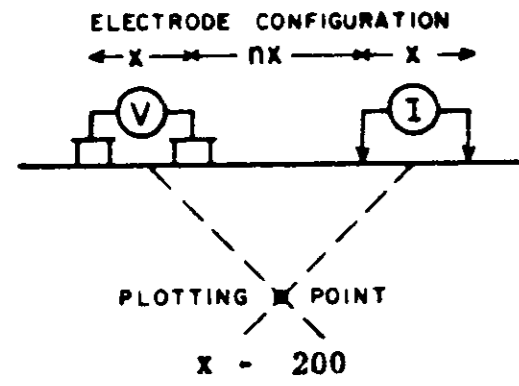
$P_a / 2\pi$

(M.F.)<sub>a</sub>

FREQUENCY 31-50 C.P.S.  
 DATE SURVEYED JULY 1962  
 APPROVED *PI*  
 DATE 10/3/62

LINE NO.-192 N.

**McPHAR GEOPHYSICS LIMITED**  
 INDUCED POLARIZATION AND RESISTIVITY SURVEY



ANOMALOUS ZONE   
 POSSIBLE ANOMALOUS ZONE   
 NOTE LOGARITHMIC CONTOUR INTERVAL

**KENNCO EXPLORATIONS (WESTERN) LIMITED**

GALORE CREEK-LIARD MINING DIVISION, B.C.

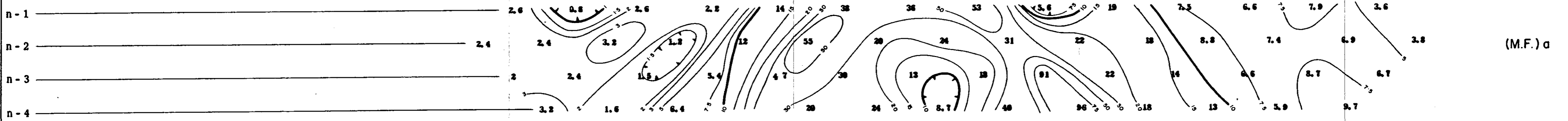
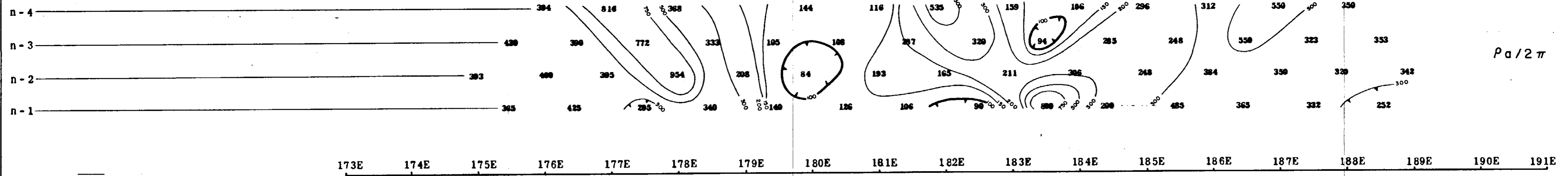
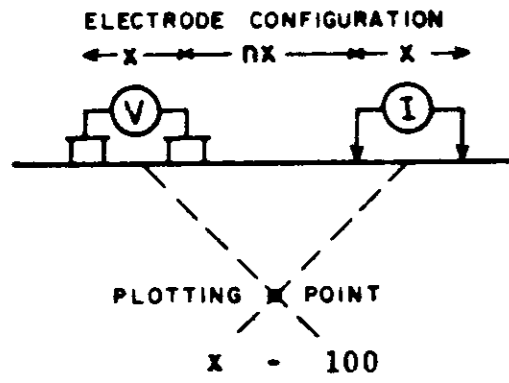
Scale - One inch = 200 Feet

FREQUENCY - 31-5 CPS  
 DATE SURVEYED - JULY 1962  
 APPROVED   
 DATE 10/3/62

LINE NO. 200

# McPHAR GEOPHYSICS LIMITED

## INDUCED POLARIZATION AND RESISTIVITY SURVEY



ANOMALOUS ZONE —————  
 POSSIBLE ANOMALOUS ZONE - - - - -  
 NOTE  
 LOGARITHMIC CONTOUR INTERVAL

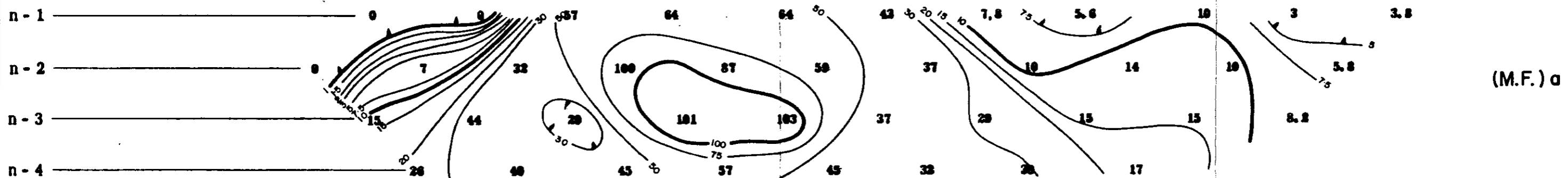
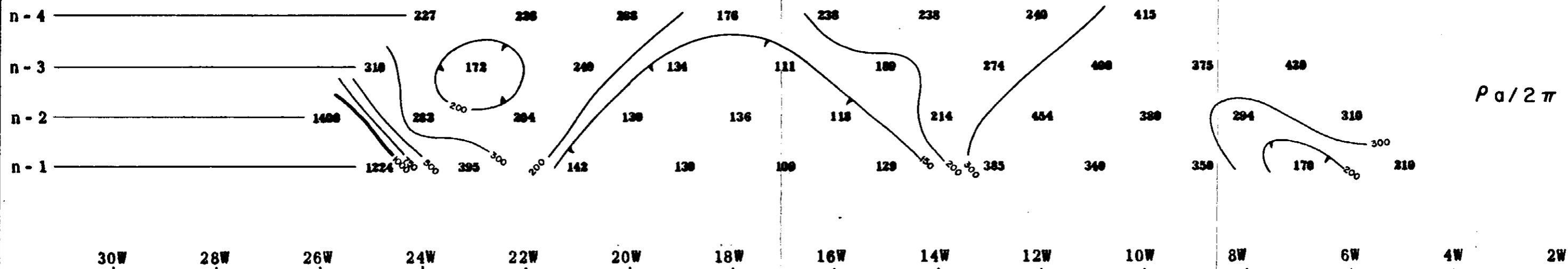
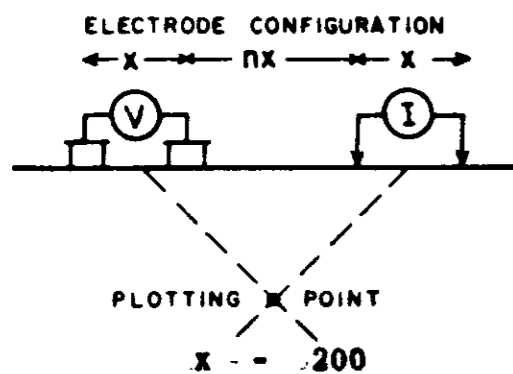
**KENNCO EXPLORATIONS (WESTERN) LIMITED**  
 GALORE CREEK-LIARD MINING DIVISION, B. C.  
 Scale - One inch = 100 Feet

(MIO)  
 FREQUENCY - 31-5 CPS  
 DATE SURVEYED - JULY 1962  
 APPROVED *[Signature]*  
 DATE 10/3/62

LINE NO. 200N

# McPHAR GEOPHYSICS LIMITED

## INDUCED POLARIZATION AND RESISTIVITY SURVEY



LINE NO. E

M11

# KENNCO EXPLORATIONS (WESTERN) LIMITED

GALORE CREEK-LIARD MINING DIVISION, B.C.

Scale - One inch = 200 Feet

ANOMALOUS ZONE   
 POSSIBLE ANOMALOUS ZONE

NOTE  
 LOGARITHMIC CONTOUR INTERVAL

FREQUENCY 31-5 CPS

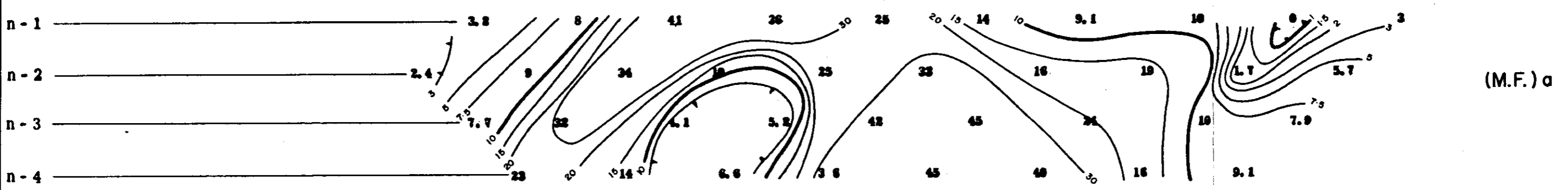
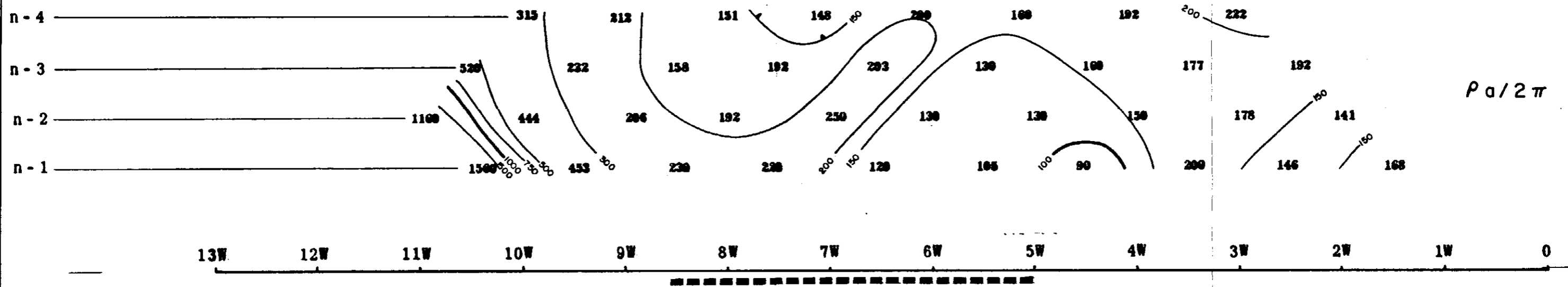
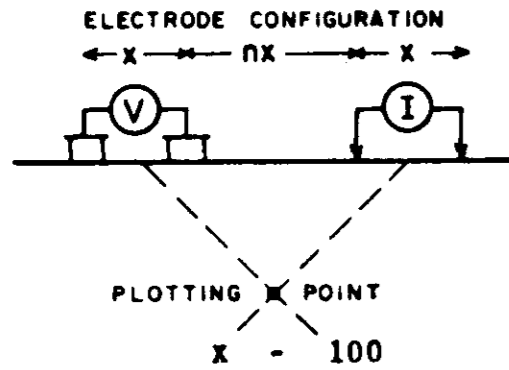
DATE SURVEYED JULY 1962

APPROVED

DATE 10/3/62

# McPHAR GEOPHYSICS LIMITED

## INDUCED POLARIZATION AND RESISTIVITY SURVEY



LINE NO. F

# KENNCO EXPLORATIONS (WESTERN) LIMITED

GALORE CREEK-LIARD MINING DIVISION, B. C.

Scale - One inch = 100 Feet

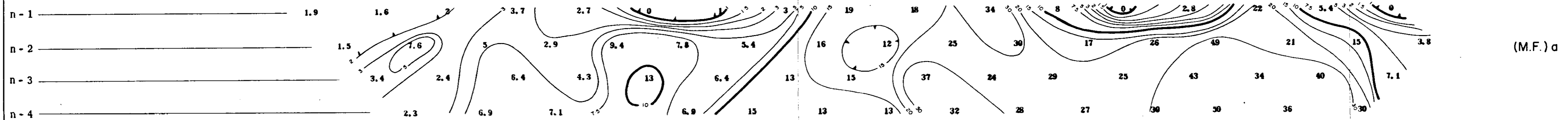
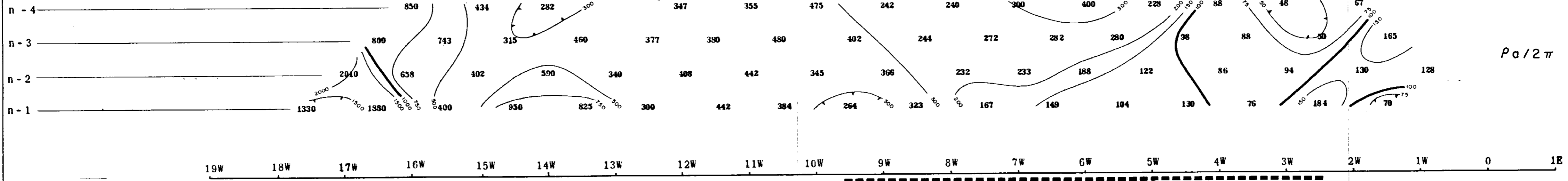
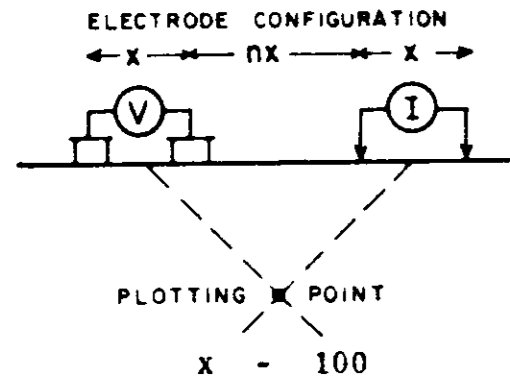
ANOMALOUS ZONE   
 POSSIBLE ANOMALOUS ZONE   
 NOTE  
 LOGARITHMIC CONTOUR INTERVAL

FREQUENCY 31-5 CPS  
 DATE SURVEYED JULY 1962  
 APPROVED PH  
 DATE 10/3/62

M.B.

# McPHAR GEOPHYSICS LIMITED

## INDUCED POLARIZATION AND RESISTIVITY SURVEY



ANOMALOUS ZONE **—————**  
 POSSIBLE ANOMALOUS ZONE **- - - - -**  
 NOTE  
 LOGARITHMIC CONTOUR INTERVAL

### KENCO EXPLORATIONS (WESTERN) LIMITED

GALORE CREEK-LIARD MINING DIVISION, B.C.

Scale - One inch 100 Feet

FREQUENCY - 31-5 CPS

DATE SURVEYED JULY 1962

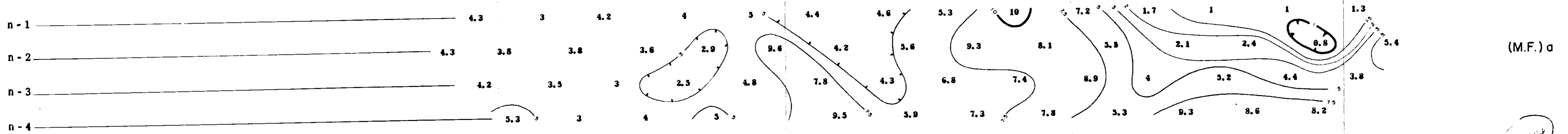
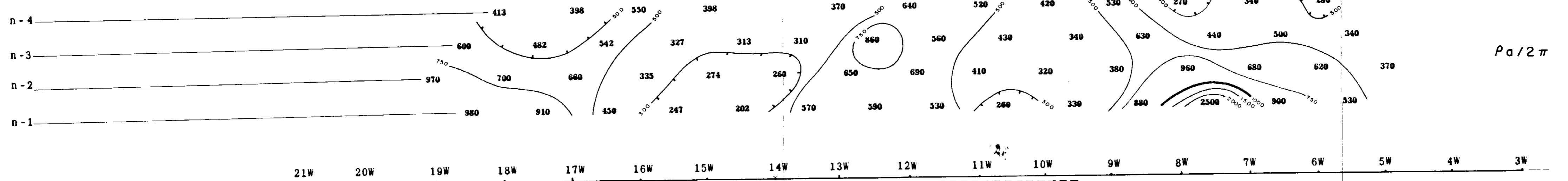
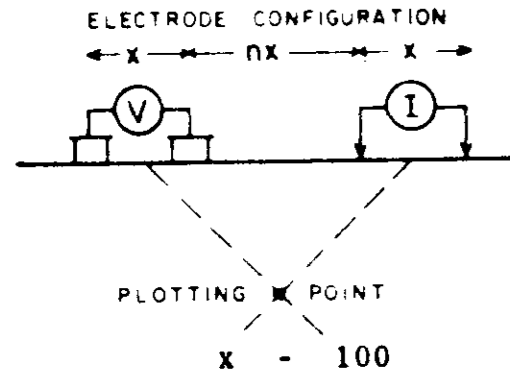
APPROVED *[Signature]*

DATE 10/3/62

LINE NO. 9

# McPHAR GEOPHYSICS LIMITED

## INDUCED POLARIZATION AND RESISTIVITY SURVEY



ANOMALOUS ZONE —————  
 POSSIBLE ANOMALOUS ZONE - - - - -  
 NOTE  
 LOGARITHMIC CONTOUR INTERVAL

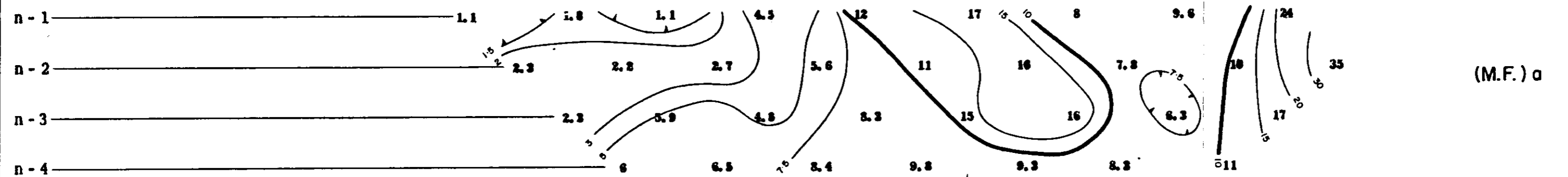
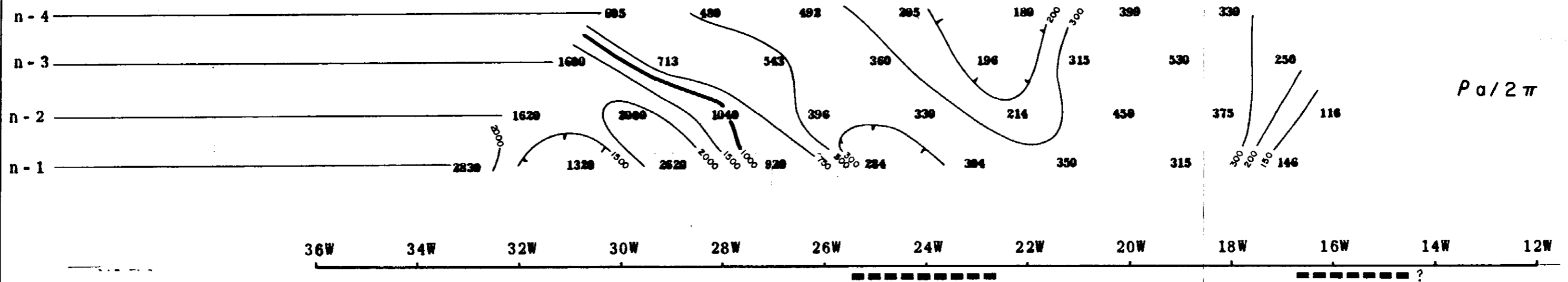
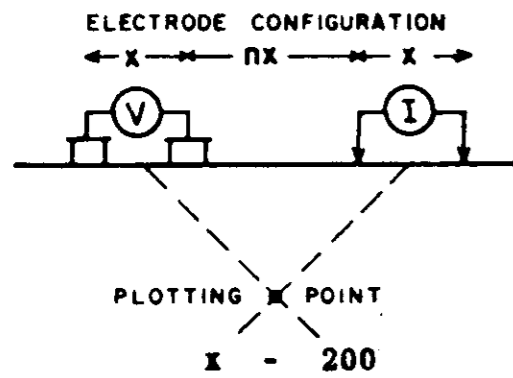
**KENCO EXPLORATIONS (WESTERN) LIMITED**  
 GALORE CREEK-LIARD MINING DIVISION, B.C.  
 Scale - One inch = 100 Feet

FREQUENCY - 31-5 CPS  
 DATE SURVEYED - JULY 1962  
 APPROVED *[Signature]*  
 DATE 10/3/62

LINE NO.-D

# McPHAR GEOPHYSICS LIMITED

## INDUCED POLARIZATION AND RESISTIVITY SURVEY



# KENNCO EXPLORATIONS (WESTERN) LIMITED

GALORE CREEK-LIARD MINING DIVISION, B. C.

Scale - One inch = 200 Feet

ANOMALOUS ZONE

POSSIBLE ANOMALOUS ZONE

NOTE  
LOGARITHMIC CONTOUR INTERVAL

FREQUENCY 31-5 CPS

DATE SURVEYED JULY 1962

APPROVED

DATE 10/3/62

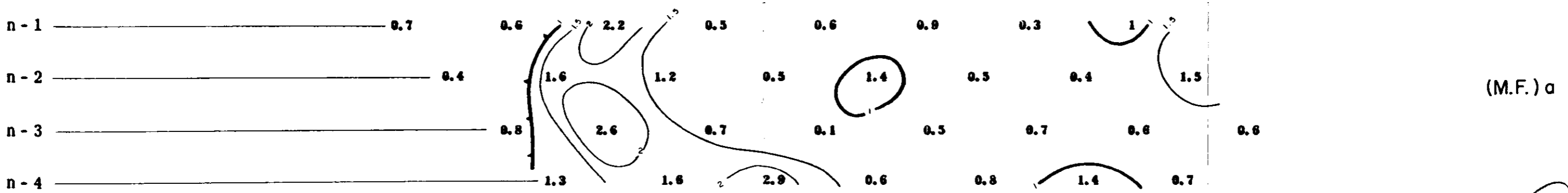
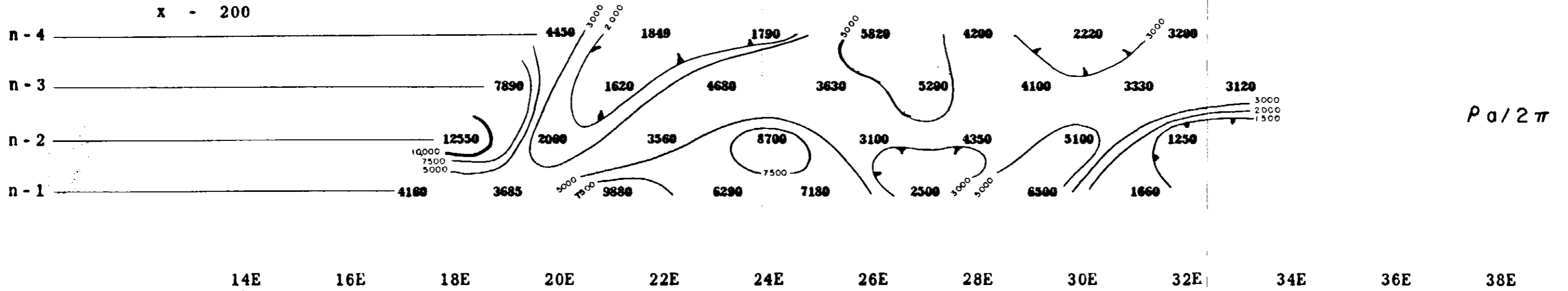
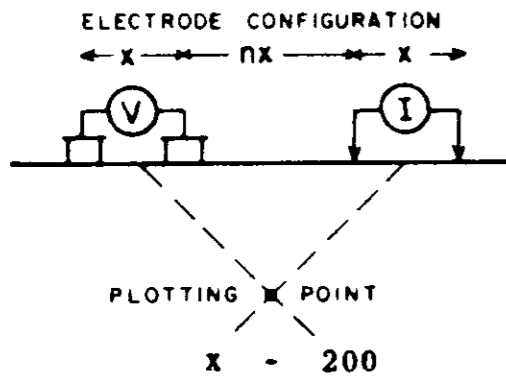
LINE NO. A





# McPHAR GEOPHYSICS LIMITED

## INDUCED POLARIZATION AND RESISTIVITY SURVEY



LINE NO.-B

M/6

# KENNCO EXPLORATIONS (WESTERN) LIMITED

GALORE CREEK-LIARD MINING DIVISION, B. C.

Scale - One inch = 200 Feet

ANOMALOUS ZONE   
 POSSIBLE ANOMALOUS ZONE   
 NOTE   
 LOGARITHMIC CONTOUR INTERVAL

FREQUENCY 31-5 CPS

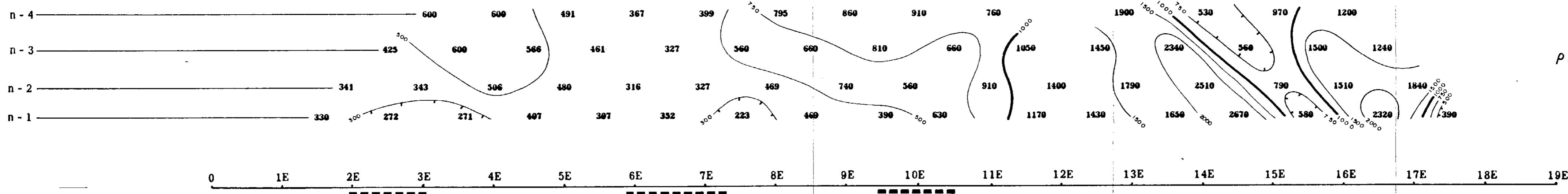
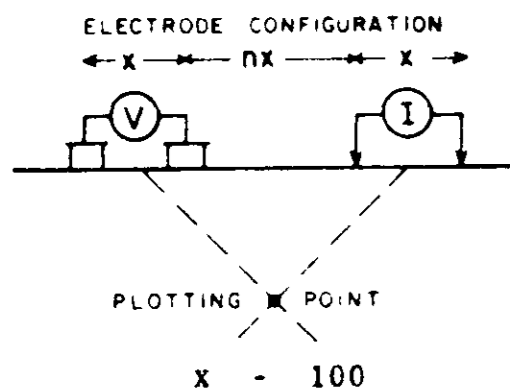
DATE SURVEYED JULY 1962

APPROVED

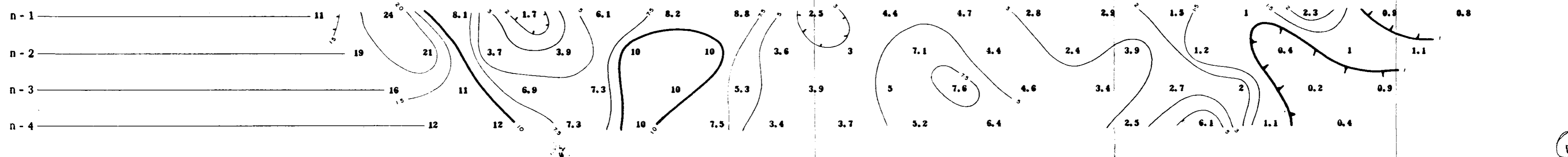
DATE 10/3/62

# McPHAR GEOPHYSICS LIMITED

## INDUCED POLARIZATION AND RESISTIVITY SURVEY



$P_a / 2\pi$



(M.F.) $\alpha$

ANOMALOUS ZONE   
 POSSIBLE ANOMALOUS ZONE   
 NOTE LOGARITHMIC CONTOUR INTERVAL

# KENNCO EXPLORATIONS (WESTERN) LIMITED

GALORE CREEK-LIARD MINING DIVISION, B.C.

Scale - One inch = 100 Feet

FREQUENCY 31-5 CPS

DATE SURVEYED JULY 1962

APPROVED

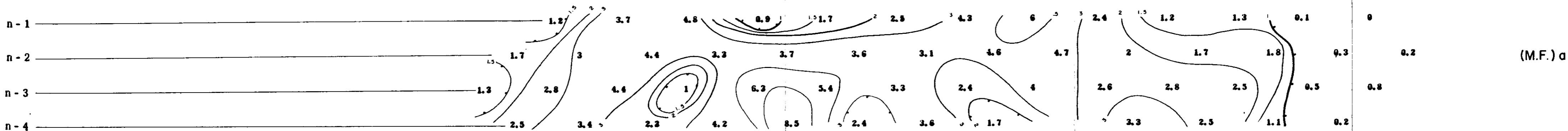
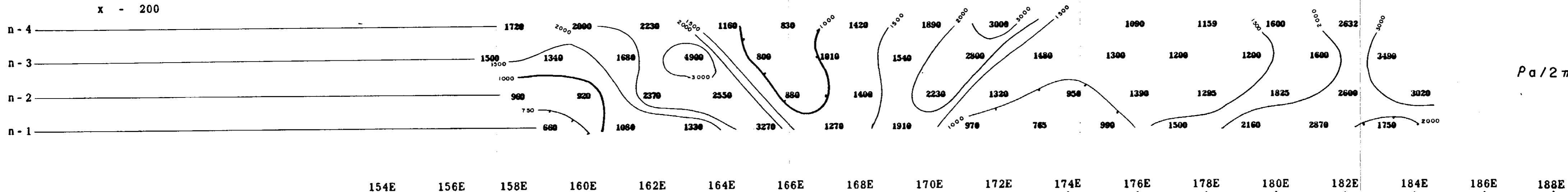
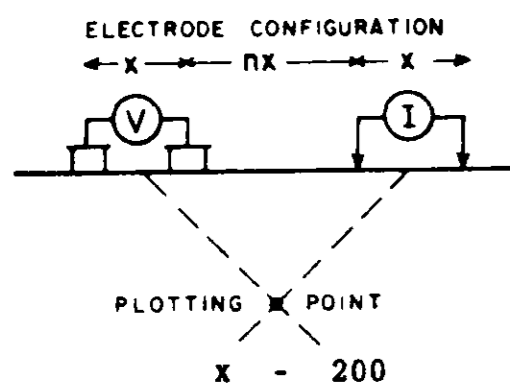
DATE 10/3/62

LINE NO: B



# McPHAR GEOPHYSICS LIMITED

## INDUCED POLARIZATION AND RESISTIVITY SURVEY



# KENNCO EXPLORATIONS (WESTERN) LIMITED

GALORE CREEK-LIARD MINING DIVISION, B.C.

Scale - One inch = 200 Feet

ANOMALOUS ZONE   
 POSSIBLE ANOMALOUS ZONE   
 NOTE LOGARITHMIC CONTOUR INTERVAL

FREQUENCY - 31-5 CPS

DATE SURVEYED JULY 1962

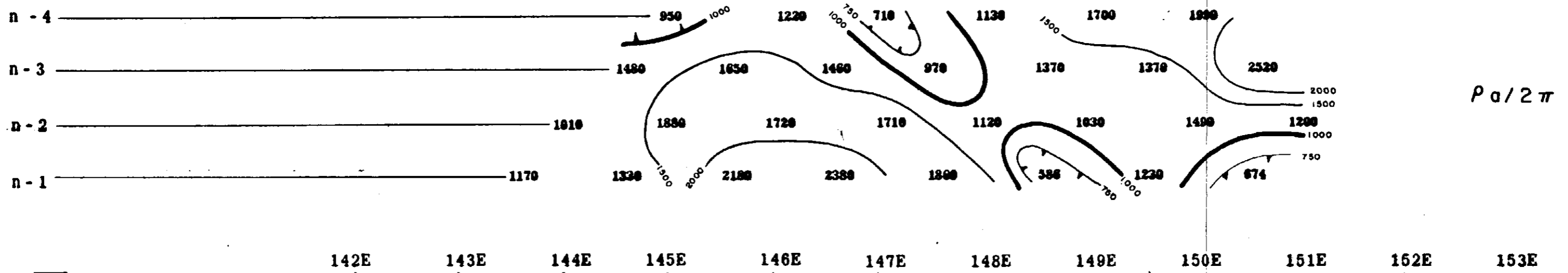
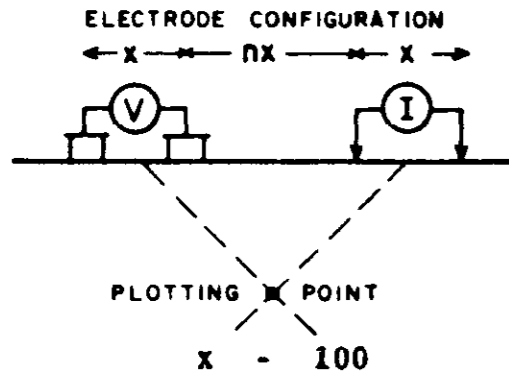
APPROVED

DATE 10/3/62

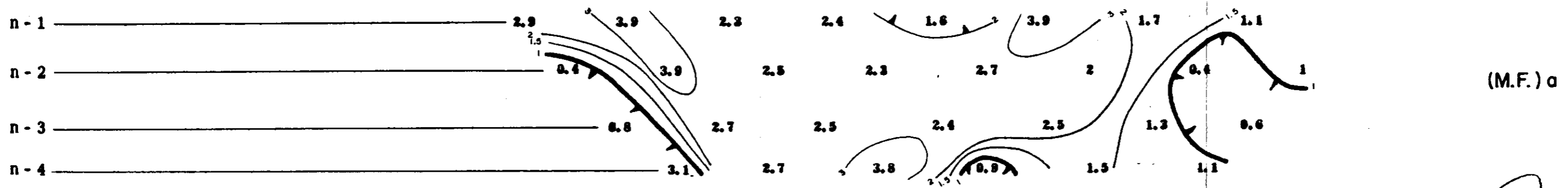
LINE NO.-272N

# McPHAR GEOPHYSICS LIMITED

## INDUCED POLARIZATION AND RESISTIVITY SURVEY



$\rho_a / 2\pi$



(M.F.) a

1720

# KENNCO EXPLORATIONS (WESTERN) LIMITED

GALORE CREEK-LIARD MINING DIVISION, B. C.

Scale - One inch = 100 Feet

ANOMALOUS ZONE   
 POSSIBLE ANOMALOUS ZONE   
 NOTE  
 LOGARITHMIC CONTOUR INTERVAL

FREQUENCY 31-5 CPS

DATE SURVEYED JULY 1962

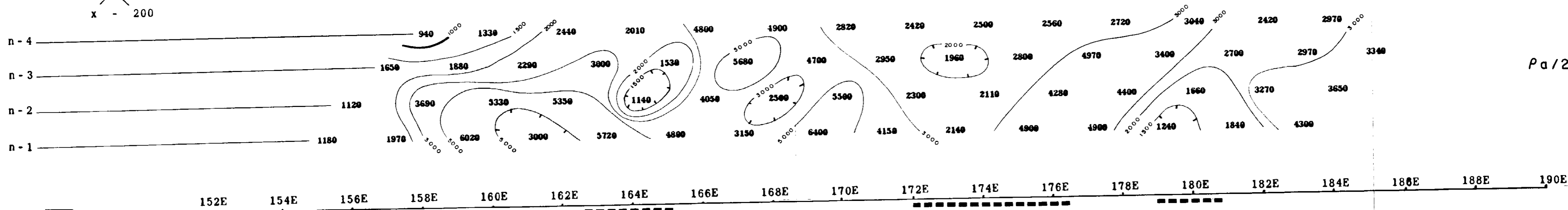
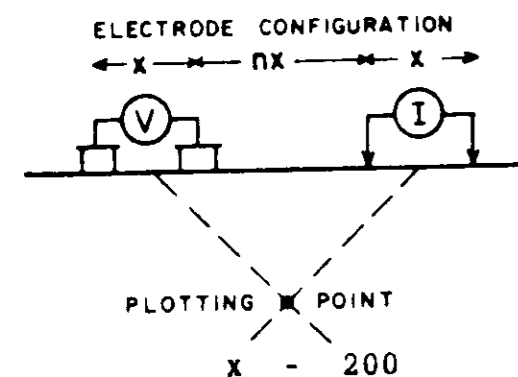
APPROVED

DATE 10/3/62

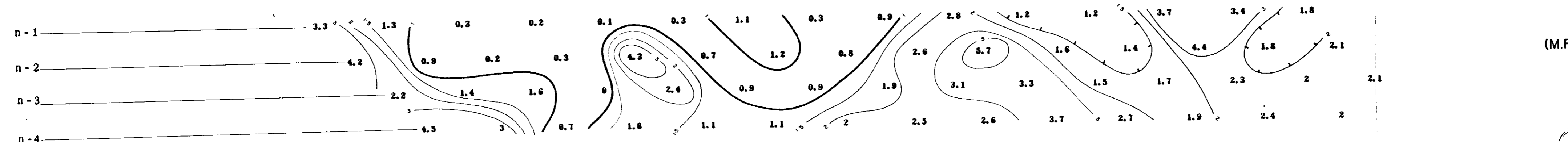
LINE NO.-272 N.

# McPHAR GEOPHYSICS LIMITED

## INDUCED POLARIZATION AND RESISTIVITY SURVEY



$\rho_a / 2\pi$



(M.F.)  $\alpha$

ANOMALOUS ZONE

POSSIBLE ANOMALOUS ZONE

NOTE  
LOGARITHMIC CONTOUR INTERVAL

# KENCO EXPLORATIONS (WESTERN) LIMITED

GALORE CREEK-LIARD MINING DIVISION, B. C.

Scale - One inch = 200 Feet

FREQUENCY: 31-5 CPS

DATE SURVEYED: JULY 1962

APPROVED

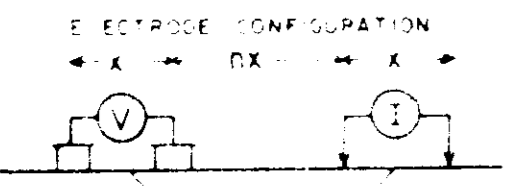
DATE 10/3/62

LINE NO.-281+60 N.



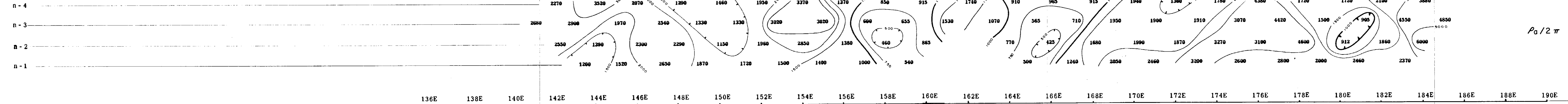


### McPHAR GEOPHYSICS LIMITED INDUCED POLARIZATION AND RESISTIVITY SURVEY

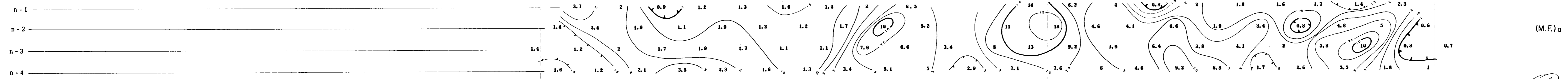


PLOTTING POINT

X - 200



$\rho_a / 2\pi$



(M.F.)<sub>a</sub>

*(Handwritten initials)*

### KENNCO EXPLORATIONS (WESTERN) LIMITED

GALORE CREEK-LIARD MINING DIVISION, B. C.

Scale - One inch = 200 Feet

ANOMALOUS ZONE   
 POSSIBLE ANOMALOUS ZONE   
 NOTE: LOGARITHMIC CONTOUR INTERVAL

FREQUENCY - 31 - 50 C.P.S.

DATE SURVEYED JULY 1962

APPROVED

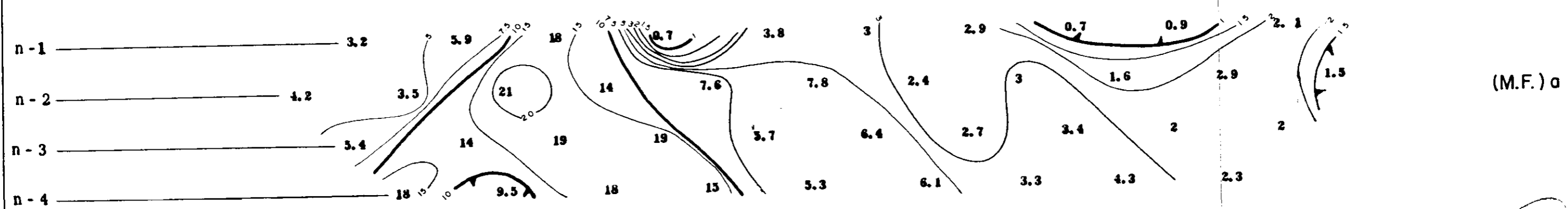
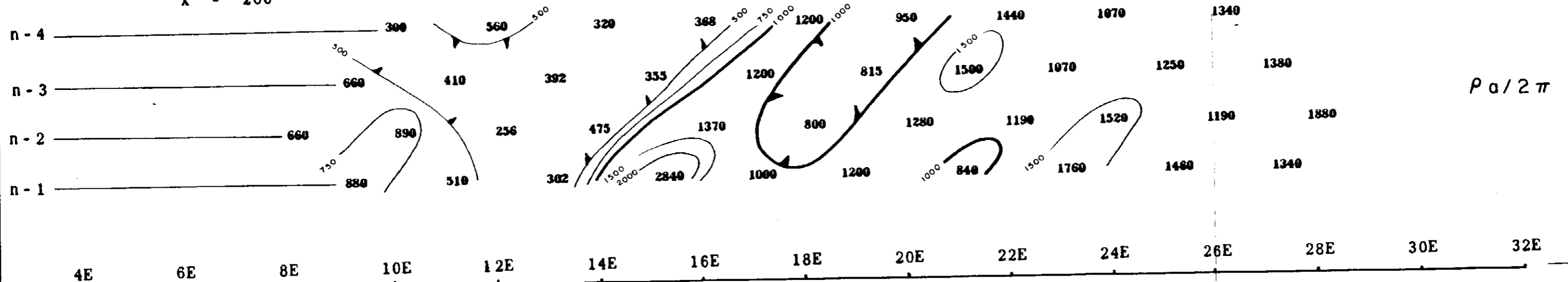
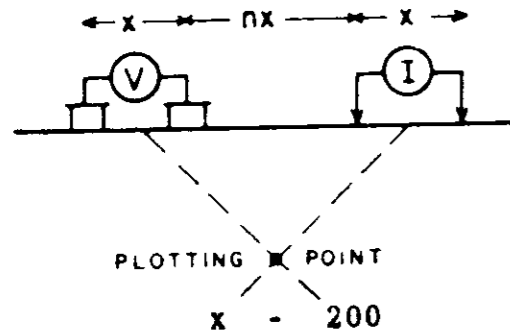
DATE 10/3/62

LINE NO.-294+50 N.

# McPHAR GEOPHYSICS LIMITED

## INDUCED POLARIZATION AND RESISTIVITY SURVEY

ELECTRODE CONFIGURATION



LINE NO.-K

## KENNCO EXPLORATIONS (WESTERN) LIMITED

GALORE CREEK-LIARD MINING DIVISION, B. C.

Scale - One inch = 200 Feet

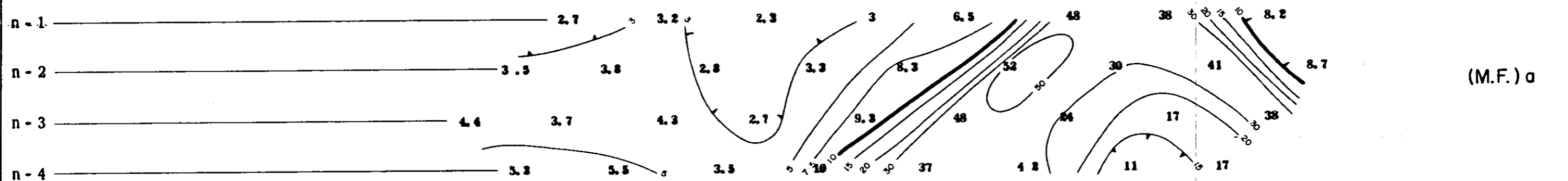
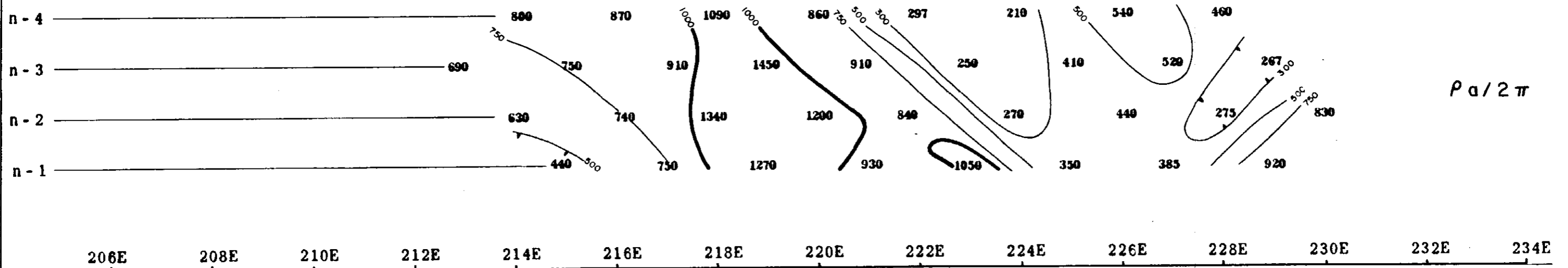
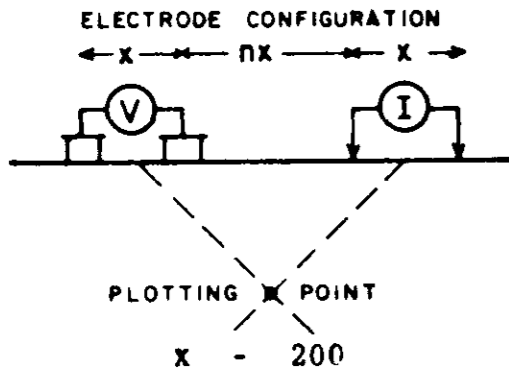
ANOMALOUS ZONE   
 POSSIBLE ANOMALOUS ZONE   
 NOTE LOGARITHMIC CONTOUR INTERVAL

FREQUENCY: 31-5 CPS  
 DATE SURVEYED: JULY 1962  
 APPROVED: PI  
 DATE: 10/3/62

17/2/62

# McPHAR GEOPHYSICS LIMITED

## INDUCED POLARIZATION AND RESISTIVITY SURVEY



LINE NO. 208N

125

## KENNCO EXPLORATIONS (WESTERN) LIMITED

GALORE CREEK-LIARD MINING DIVISION, B.C.

Scale - One inch = 200 Feet

ANOMALOUS ZONE

POSSIBLE ANOMALOUS ZONE

NOTE  
LOGARITHMIC CONTOUR INTERVAL

FREQUENCY - 31 - 5 CPS

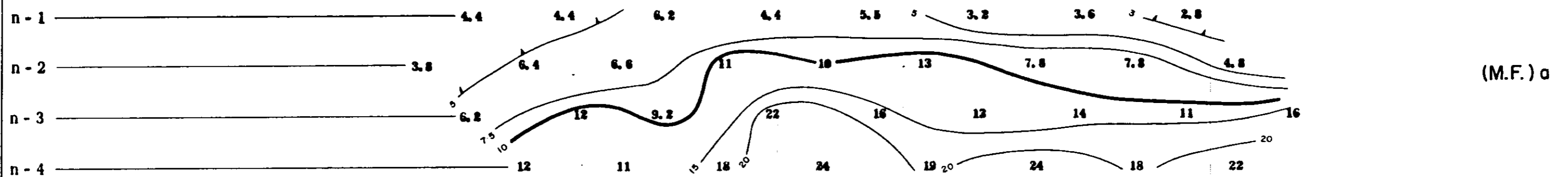
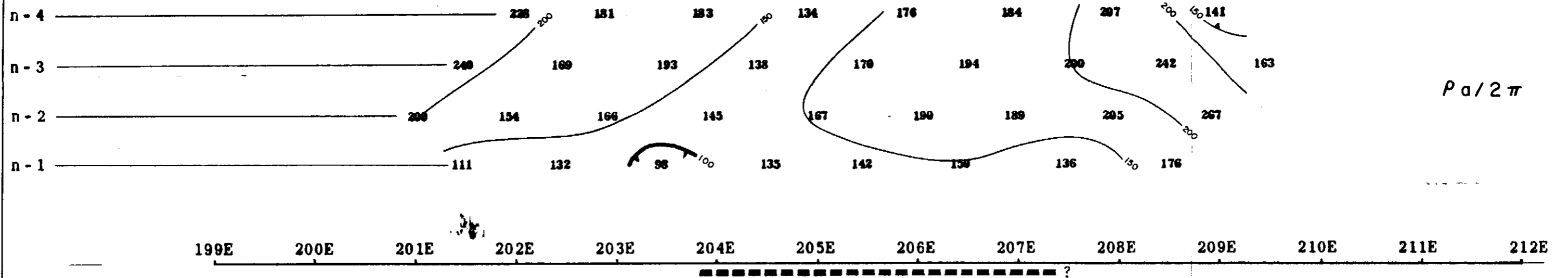
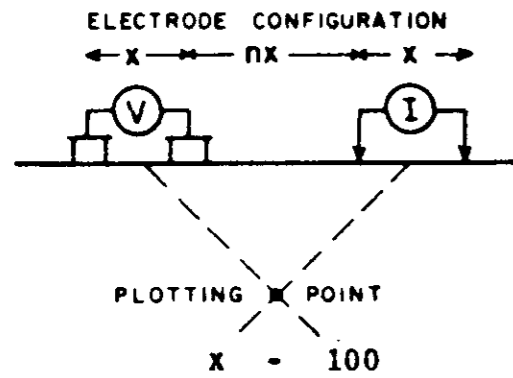
DATE SURVEYED JULY 1962

APPROVED   *PT*  

DATE   10/3/62

# McPHAR GEOPHYSICS LIMITED

## INDUCED POLARIZATION AND RESISTIVITY SURVEY



# KENNCO EXPLORATIONS (WESTERN) LIMITED

GALORE CREEK-LIARD MINING DIVISION, B. C.

Scale - One inch = 100 Feet

ANOMALOUS ZONE

POSSIBLE ANOMALOUS ZONE

NOTE  
LOGARITHMIC CONTOUR INTERVAL

FREQUENCY 31-5 CPS

DATE SURVEYED JULY 1962

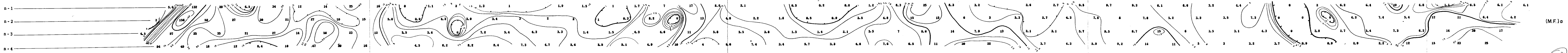
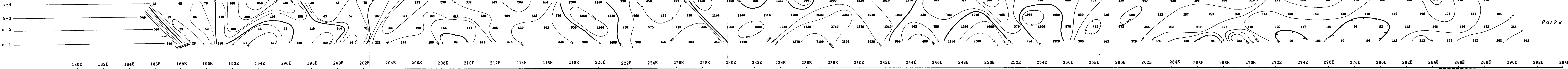
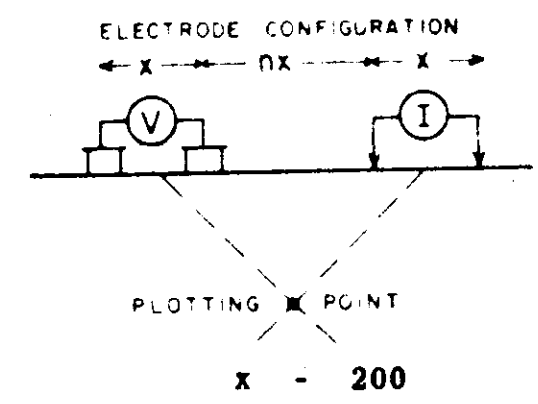
APPROVED

DATE 10/3/62

LINE NO. 208 N

2931-28

McPHAR GEOPHYSICS LIMITED  
INDUCED POLARIZATION AND RESISTIVITY SURVEY



ANOMALOUS ZONE  
POSSIBLE ANOMALOUS ZONE  
NOTE  
LOGARITHMIC CONTOUR INTERVAL

KENCO EXPLORATIONS (WESTERN) LIMITED  
GALORE CREEK-LIARD MINING DIVISION, B.C.  
Scale - One inch = 200 Feet

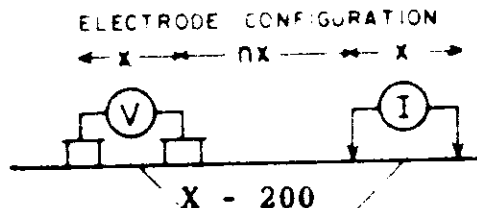
FREQUENCY 31-5 CPS  
DATE SURVEYED JULY 62  
APPROVED [Signature]  
DATE 10/3/62

LINE NO. 216

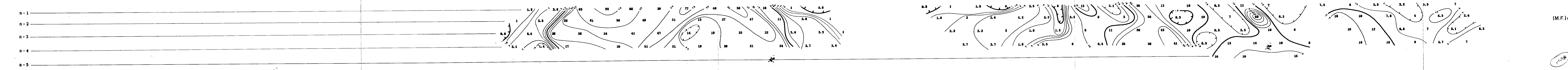
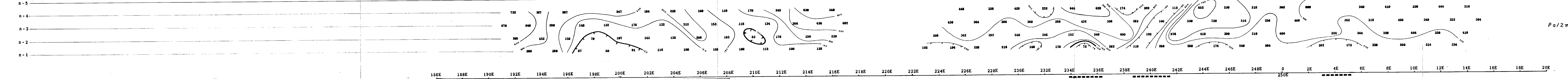
2931-29

### McPHAR GEOPHYSICS LIMITED

INDUCED POLARIZATION AND RESISTIVITY SURVEY



PLOTTING POINT



### KENCO EXPLORATIONS (WESTERN) LIMITED

GALORE CREEK-LIARD MINING DIVISION, B.C.  
Scale - One inch = 200 Feet

ANOMALOUS ZONE   
POSSIBLE ANOMALOUS ZONE   
NOTE LOGARITHMIC CONTOUR INTERVAL

$\rho_a / 2\pi$

(M.F.)<sub>a</sub>

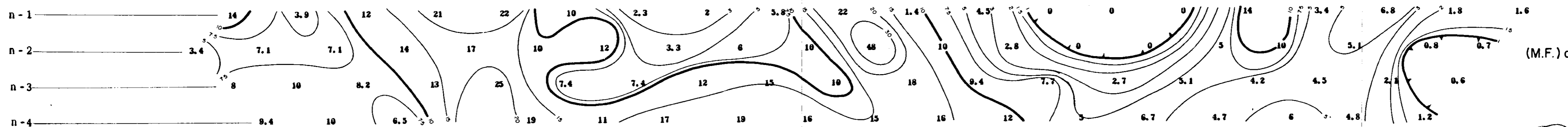
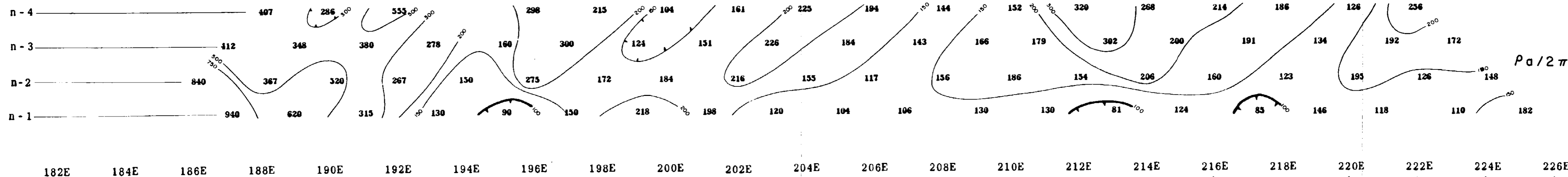
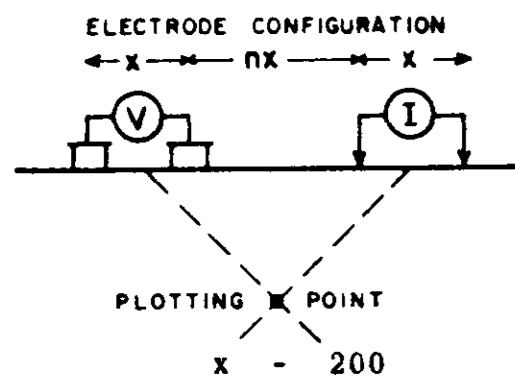
FREQUENCY 31 - 5 CPS.  
DATE SURVEYED JULY 62  
APPROVED   
DATE 10/3/62

LINE NO - 22411 LINE - V



# McPHAR GEOPHYSICS LIMITED

## INDUCED POLARIZATION AND RESISTIVITY SURVEY



ANOMALOUS ZONE

POSSIBLE ANOMALOUS ZONE

NOTE  
LOGARITHMIC CONTOUR INTERVAL

### KENNCO EXPLORATIONS (WESTERN) LIMITED

GALORE CREEK-LIARD MINING DIVISION, B.C.

Scale - One inch = 200 Feet

FREQUENCY 31-5 CPS

DATE SURVEYED JULY 1962

APPROVED *[Signature]*

DATE 10/3/62

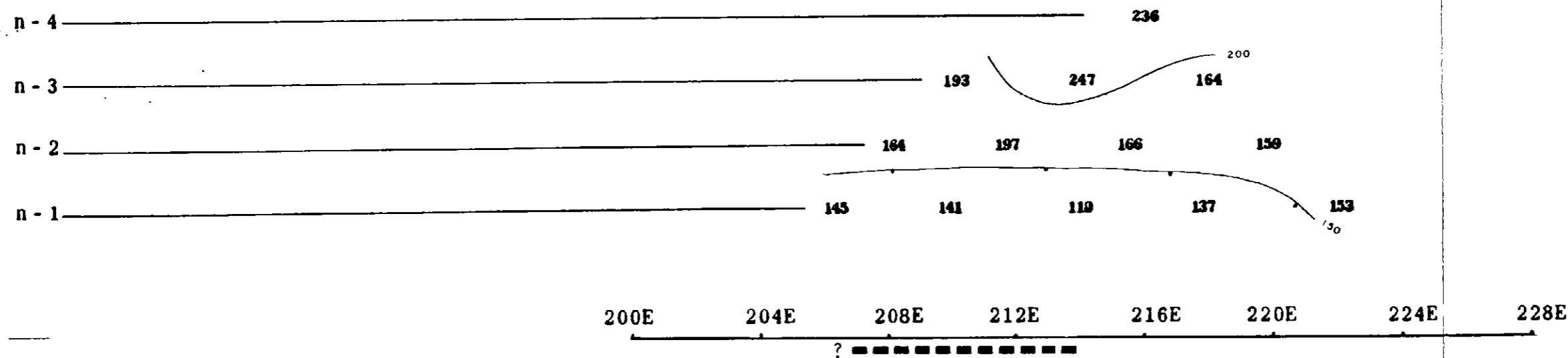
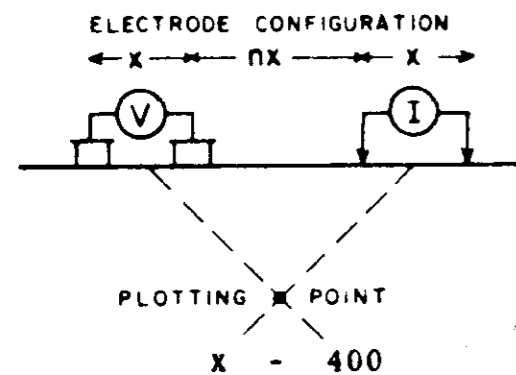
M30

LINE NO.-240 N.

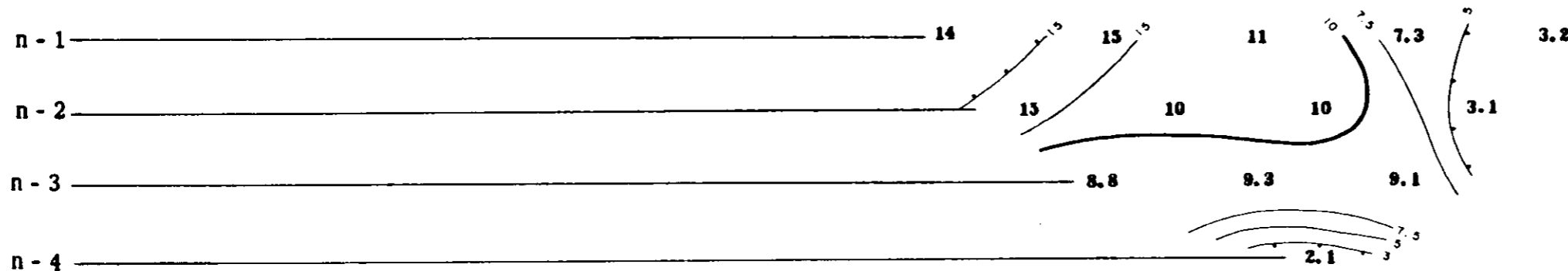


# McPHAR GEOPHYSICS LIMITED

## INDUCED POLARIZATION AND RESISTIVITY SURVEY



$\rho_a / 2\pi$



(M.F.)a

M31

# KENNCO EXPLORATIONS (WESTERN) LIMITED

GALORE CREEK-LIARD MINING DIVISION, B.C.

Scale - One inch = 400 Feet

ANOMALOUS ZONE   
 POSSIBLE ANOMALOUS ZONE   
 NOTE LOGARITHMIC CONTOUR INTERVAL

FREQUENCY 31-5 CPS

DATE SURVEYED JULY 1962

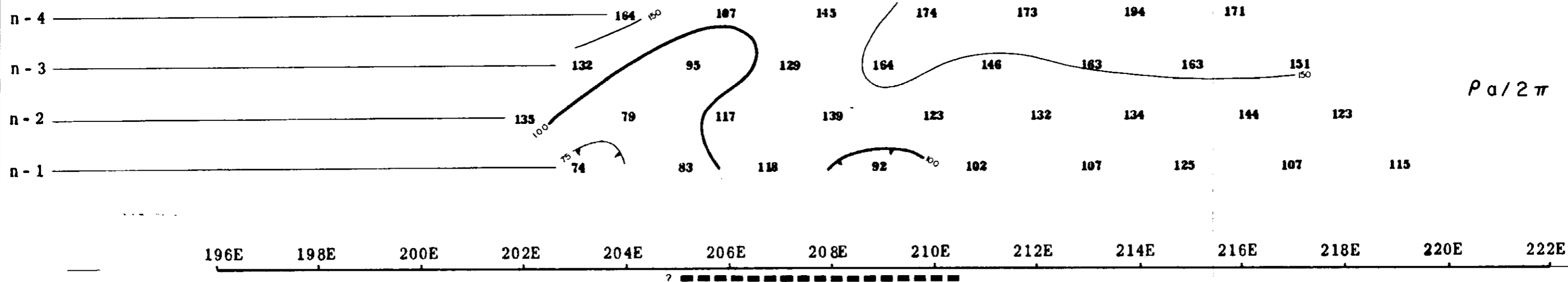
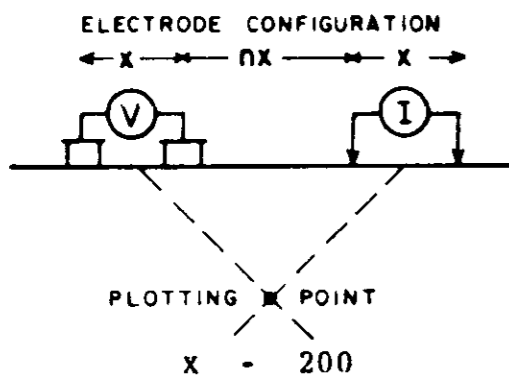
APPROVED FA

DATE 10/3/62

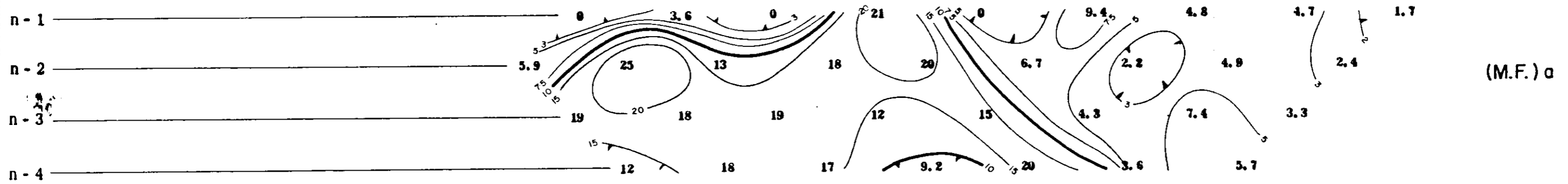
LINE NO.-248N

# McPHAR GEOPHYSICS LIMITED

## INDUCED POLARIZATION AND RESISTIVITY SURVEY



$\rho a / 2\pi$



(M.F.) a

M30

# KENNCO EXPLORATIONS (WESTERN) LIMITED

GALORE CREEK-LIARD MINING DIVISION, B.C.

Scale - One inch = 200 Feet

ANOMALOUS ZONE   
 POSSIBLE ANOMALOUS ZONE   
 NOTE   
 LOGARITHMIC CONTOUR INTERVAL

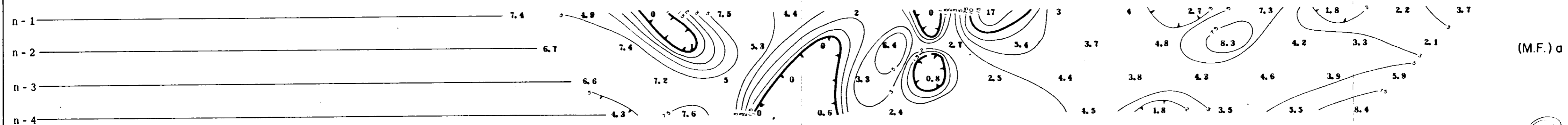
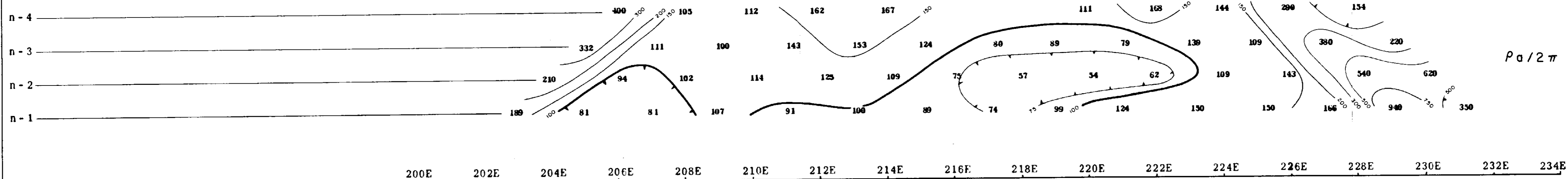
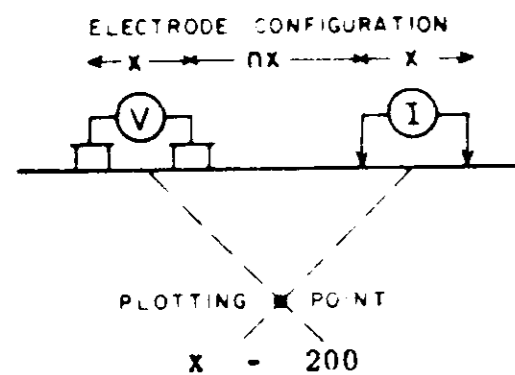
FREQUENCY 31-5 CPS.   
 DATE SURVEYED JULY 1962   
 APPROVED   
 DATE 10/3/62

LINE NO. 248 N



# McPHAR GEOPHYSICS LIMITED

## INDUCED POLARIZATION AND RESISTIVITY SURVEY



ANOMALOUS ZONE **—————**  
 POSSIBLE ANOMALOUS ZONE **- - - - -**  
 NOTE LOGARITHMIC CONTOUR INTERVAL

# KENNCO EXPLORATIONS (WESTERN) LIMITED

GALORE CREEK-LIARD MINING DIVISION, B. C.

Scale - One inch = 200 Feet

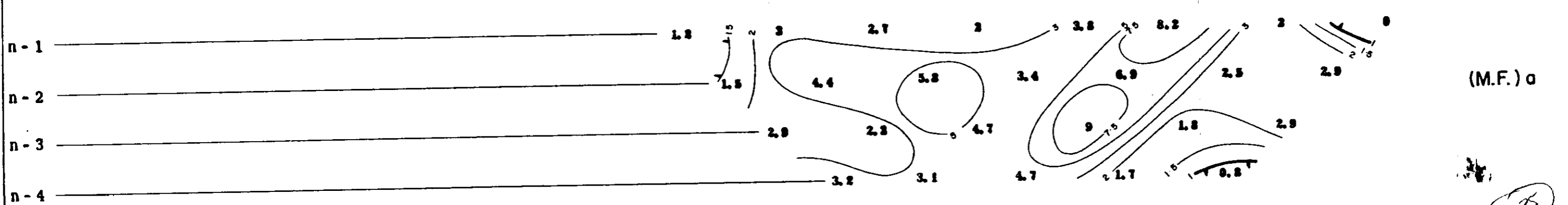
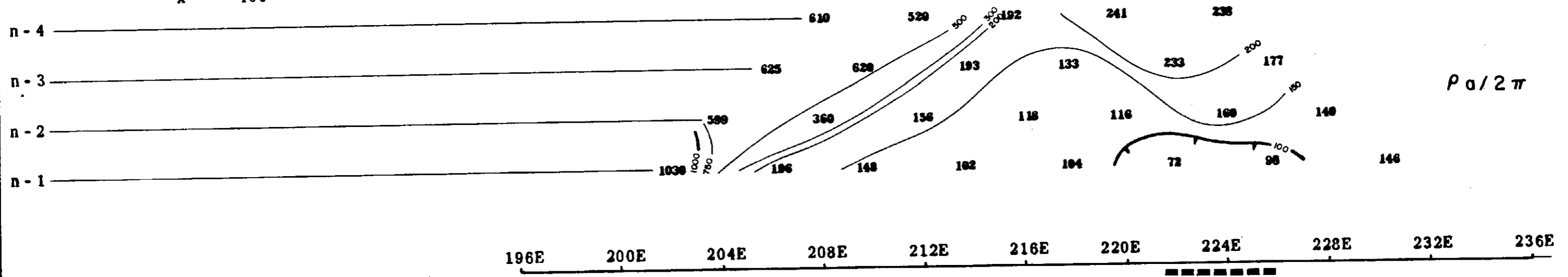
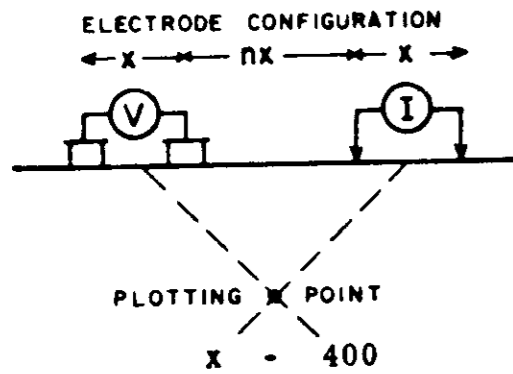
FREQUENCY - 31-5 CPS  
 DATE SURVEYED JULY 1962  
 APPROVED [Signature]  
 DATE 10/3/62

LINE NO. 256N

234

# McPHAR GEOPHYSICS LIMITED

## INDUCED POLARIZATION AND RESISTIVITY SURVEY



LINE NO. 264 N.

# KENNCO EXPLORATIONS (WESTERN) LIMITED

GALORE CREEK-LIARD MINING DIVISION, B.C.

Scale - One inch = 400 Feet

ANOMALOUS ZONE

POSSIBLE ANOMALOUS ZONE

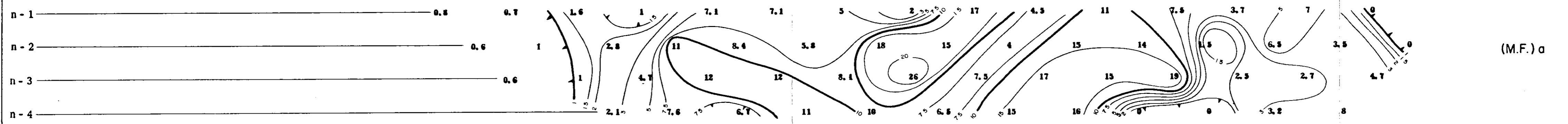
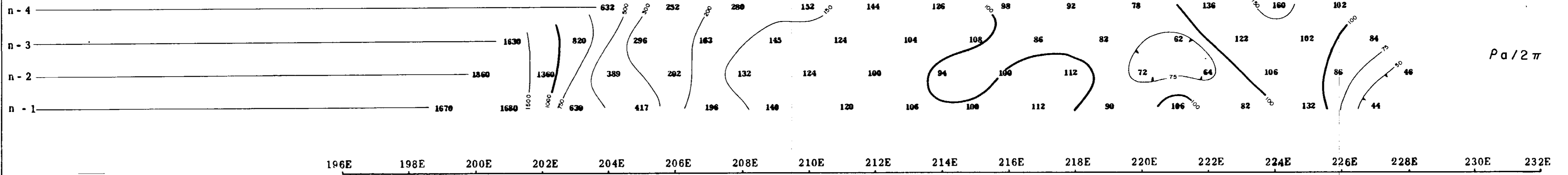
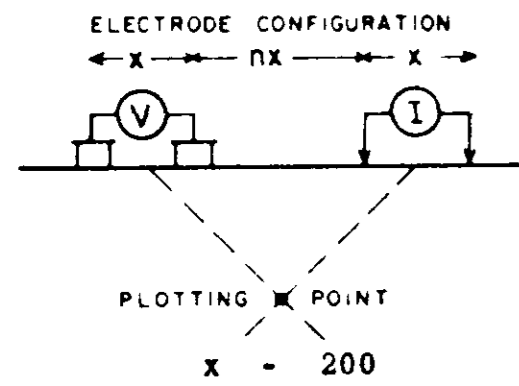
NOTE  
LOGARITHMIC CONTOUR INTERVAL

FREQUENCY 31-5 CPS  
DATE SURVEYED JULY 1962  
APPROVED   
DATE 10/3/62

135

# McPHAR GEOPHYSICS LIMITED

## INDUCED POLARIZATION AND RESISTIVITY SURVEY



ANOMALOUS ZONE —————  
 POSSIBLE ANOMALOUS ZONE - - - - -  
 NOTE  
 LOGARITHMIC CONTOUR INTERVAL

### KENNCO EXPLORATIONS (WESTERN) LIMITED

GALORE CREEK-LIARD MINING DIVISION, B. C.

Scale - One inch = 200 Feet

FREQUENCY - 31-5 CPS

DATE SURVEYED JULY 1962

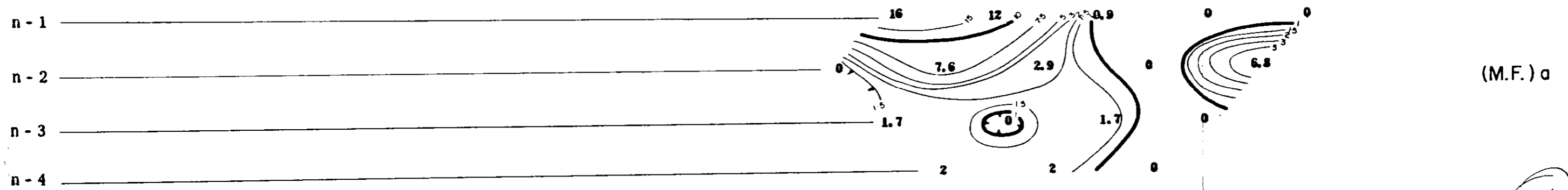
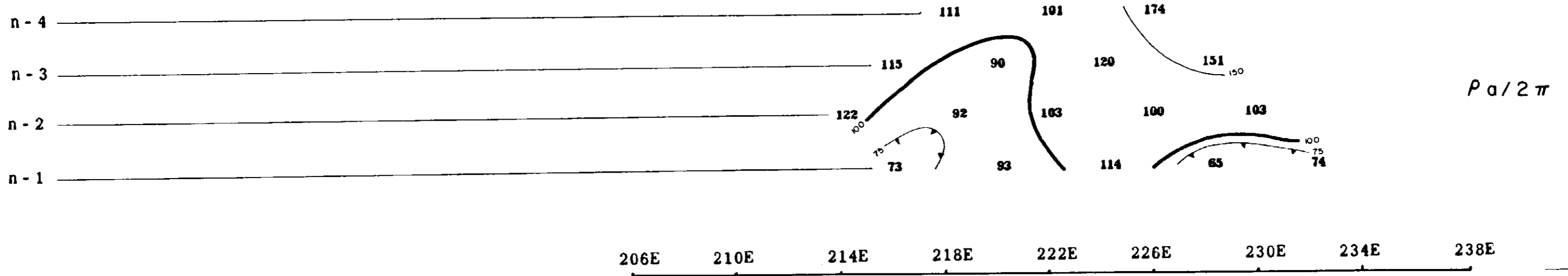
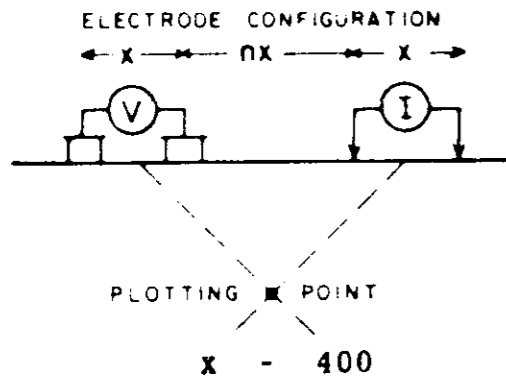
APPROVED *[Signature]*

DATE 10/3/62

LINE NO. 264 N

# McPHAR GEOPHYSICS LIMITED

## INDUCED POLARIZATION AND RESISTIVITY SURVEY



LINE NO.-272 N

137

# KENNCO EXPLORATIONS (WESTERN) LIMITED

GALORE CREEK-LIARD MINING DIVISION, B. C.

Scale - One inch = 400 Feet

ANOMALOUS ZONE   
 POSSIBLE ANOMALOUS ZONE   
 NOTE   
 LOGARITHMIC CONTOUR INTERVAL

FREQUENCY 31-5 CPS

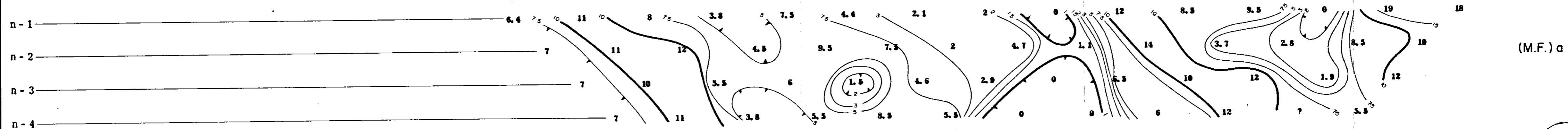
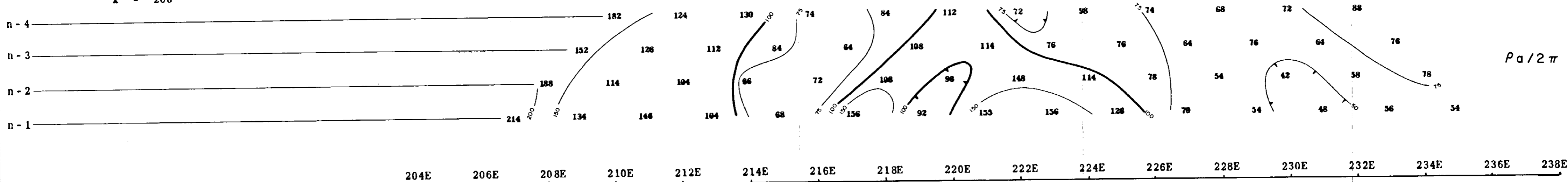
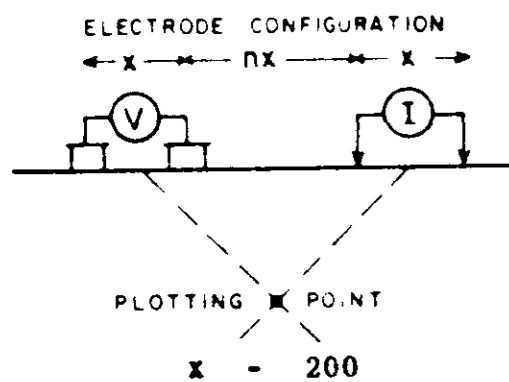
DATE SURVEYED JULY 1962

APPROVED

DATE 10/3/62

# McPHAR GEOPHYSICS LIMITED

## INDUCED POLARIZATION AND RESISTIVITY SURVEY



ANOMALOUS ZONE **—————**  
 POSSIBLE ANOMALOUS ZONE **- - - - -**

NOTE  
 LOGARITHMIC CONTOUR INTERVAL

# KENCO EXPLORATIONS (WESTERN) LIMITED

GALORE CREEK-LIARD MINING DIVISION, B.C.

Scale - One inch = 200 Feet

FREQUENCY 31-5 CPS

DATE SURVEYED JULY 1962

APPROVED *PI*

DATE 10/3/62

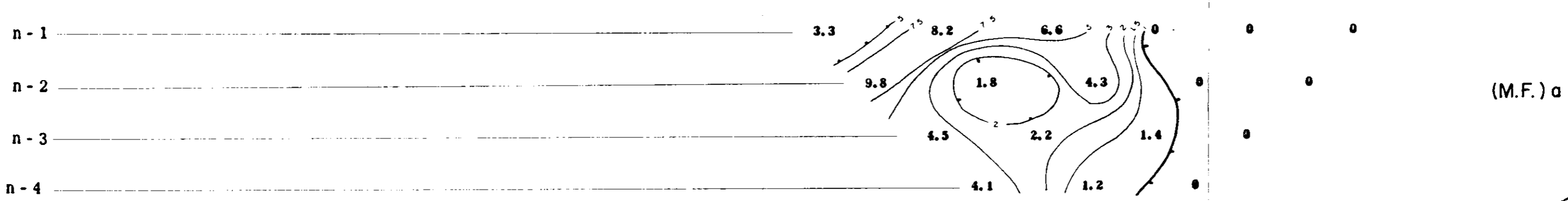
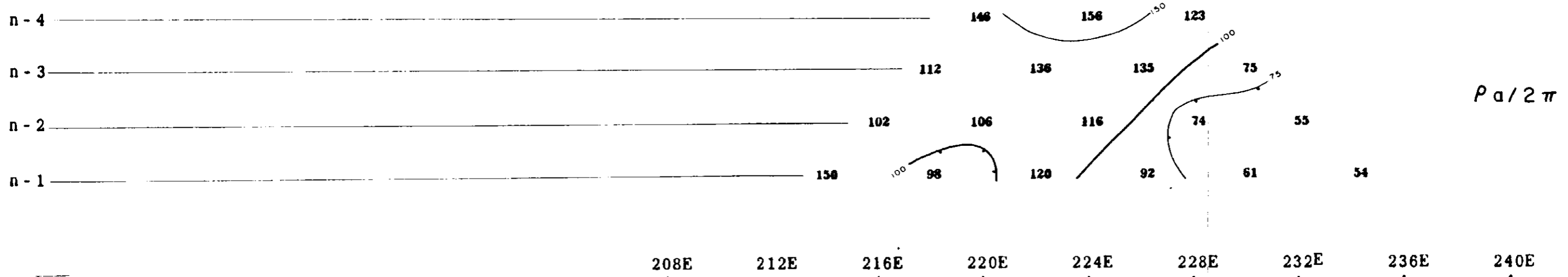
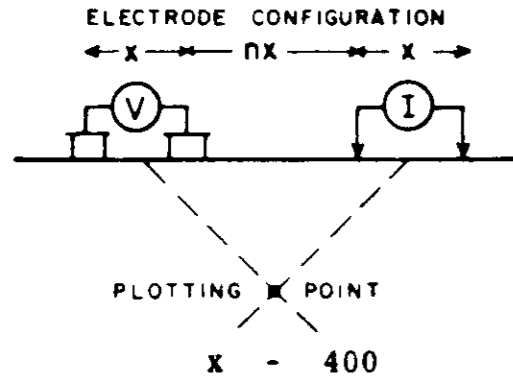
*M33*

LINE NO. 272 N



# McPHAR GEOPHYSICS LIMITED

## INDUCED POLARIZATION AND RESISTIVITY SURVEY



LINE NO.-280 N

M39

# KENNCO EXPLORATIONS (WESTERN) LIMITED

GALORE CREEK-LIARD MINING DIVISION, B. C.

Scale - One inch = 400 Feet

ANOMALOUS ZONE

POSSIBLE ANOMALOUS ZONE

NOTE  
LOGARITHMIC CONTOUR INTERVAL

FREQUENCY 31-5 CPS

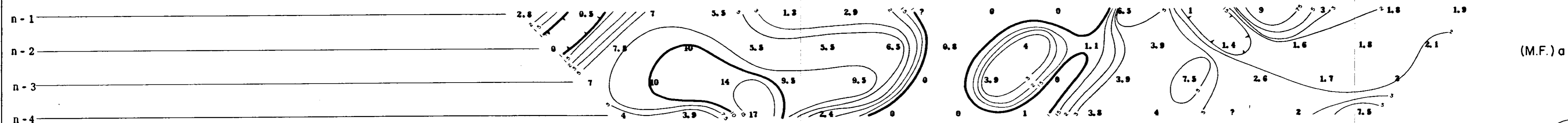
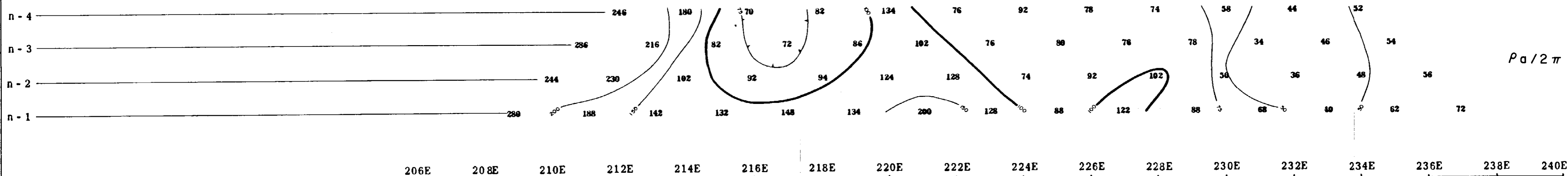
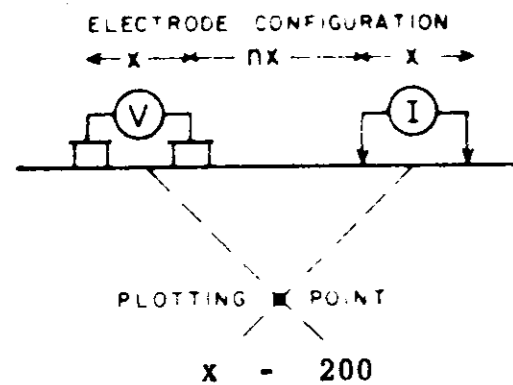
DATE SURVEYED JULY 1962

APPROVED

DATE 10/3/62

# McPHAR GEOPHYSICS LIMITED

## INDUCED POLARIZATION AND RESISTIVITY SURVEY



ANOMALOUS ZONE   
 POSSIBLE ANOMALOUS ZONE   
 NOTE LOGARITHMIC CONTOUR INTERVAL

### KENNCO EXPLORATIONS (WESTERN) LIMITED

GALORE CREEK-LIARD MINING DIVISION, B.C.

Scale - One inch = 200 Feet

FREQUENCY 31-5 CPS

DATE SURVEYED JULY 1962

APPROVED

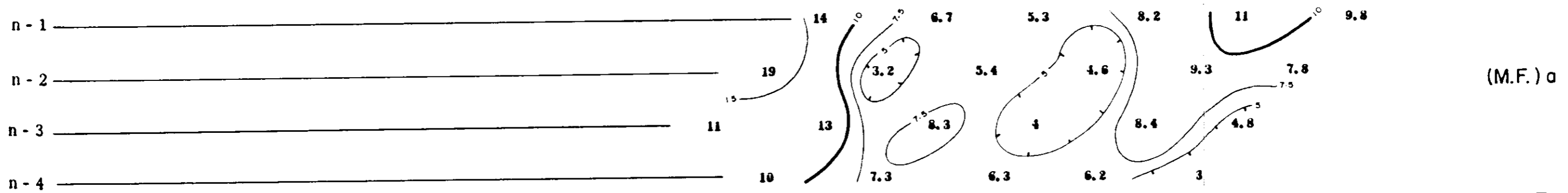
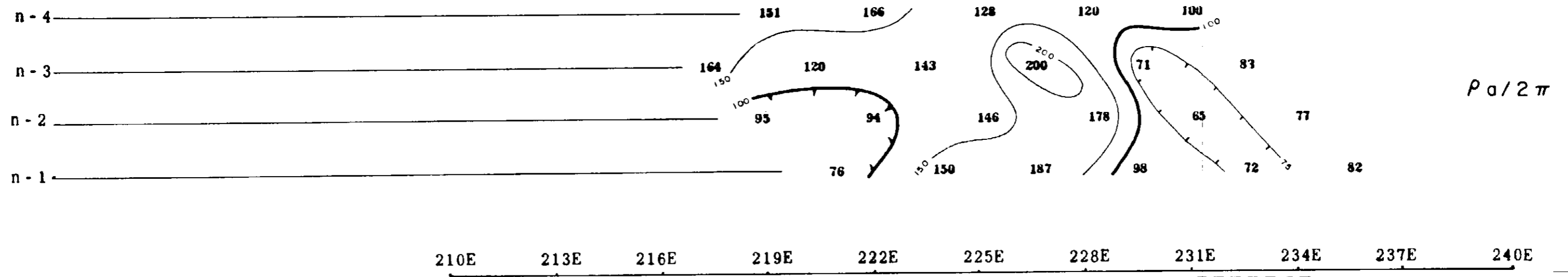
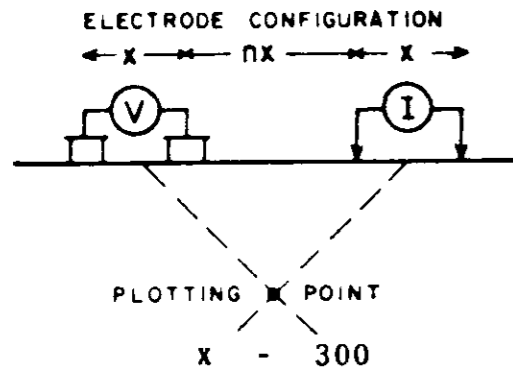
DATE 10/3/62

M40

LINE NO. 280 N

# McPHAR GEOPHYSICS LIMITED

## INDUCED POLARIZATION AND RESISTIVITY SURVEY



LINE NO.- 288 N.

M41

# KENNCO EXPLORATIONS (WESTERN) LIMITED

GALORE CREEK-LIARD MINING DIVISION, B. C

Scale - One inch = 300 Feet

ANOMALOUS ZONE   
 POSSIBLE ANOMALOUS ZONE   
 NOTE LOGARITHMIC CONTOUR INTERVAL

FREQUENCY 31 - 5 CPS

DATE SURVEYED JULY 1962

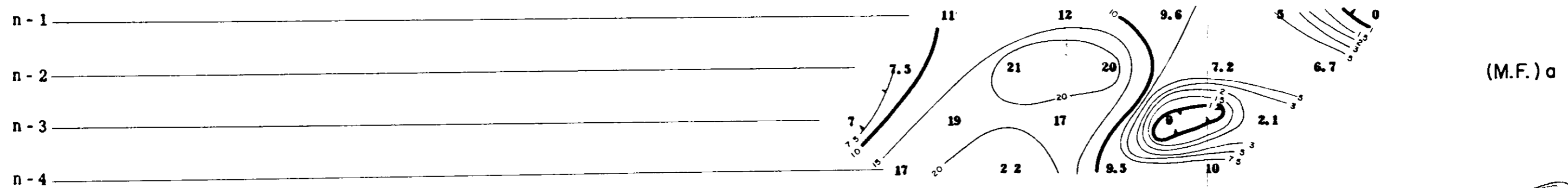
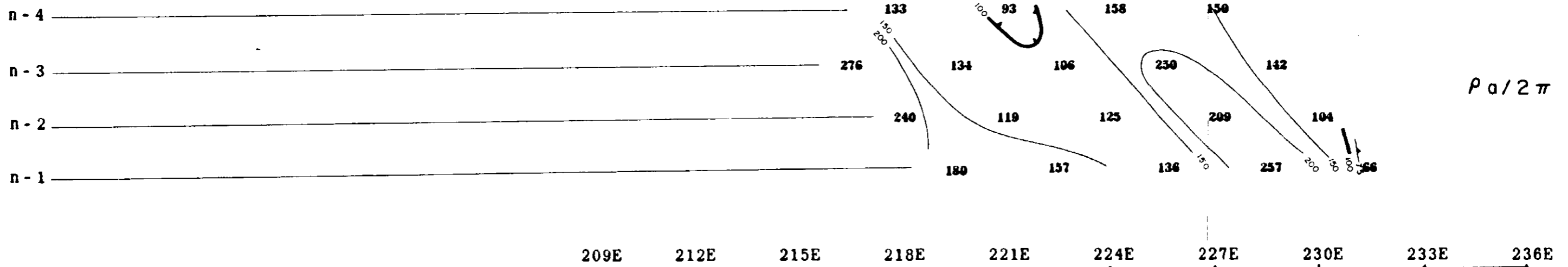
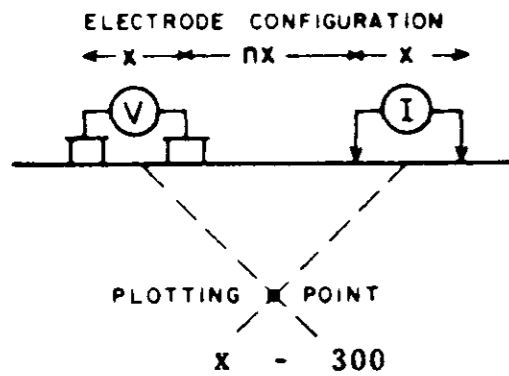
APPROVED

DATE 10/3/62



# McPHAR GEOPHYSICS LIMITED

## INDUCED POLARIZATION AND RESISTIVITY SURVEY



LINE NO.-296N

143

## KENNCO EXPLORATIONS (WESTERN) LIMITED

GALORE CREEK-LIARD MINING DIVISION, B.C.

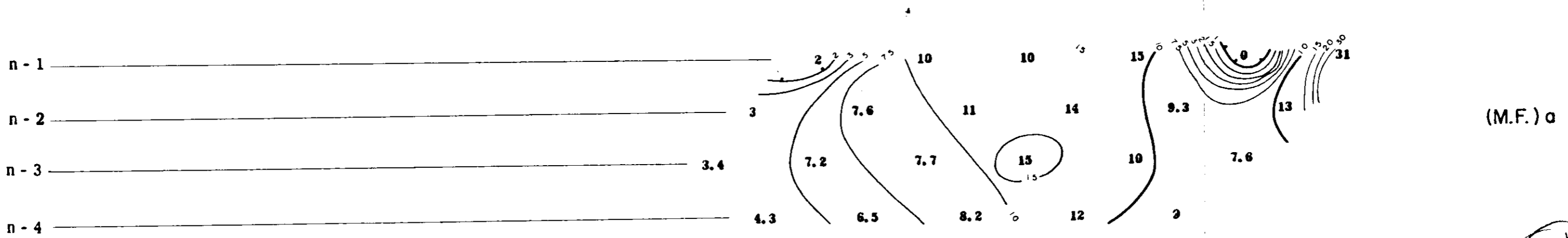
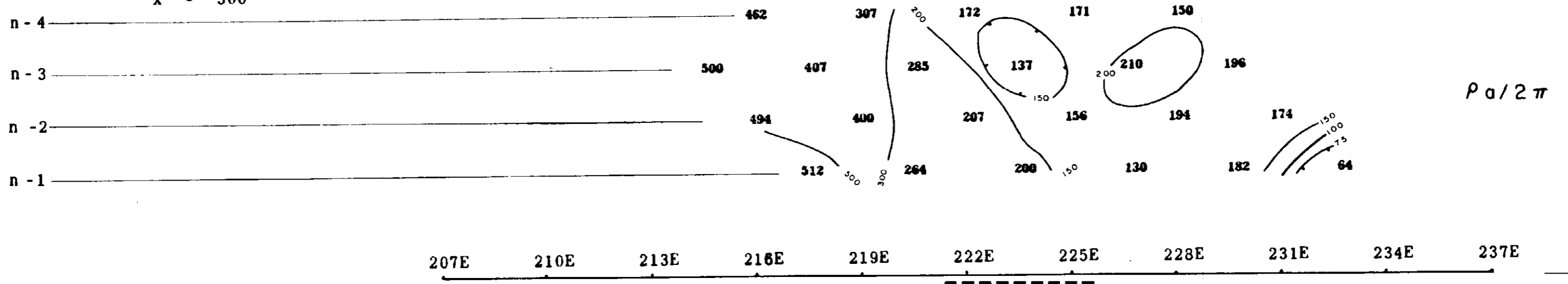
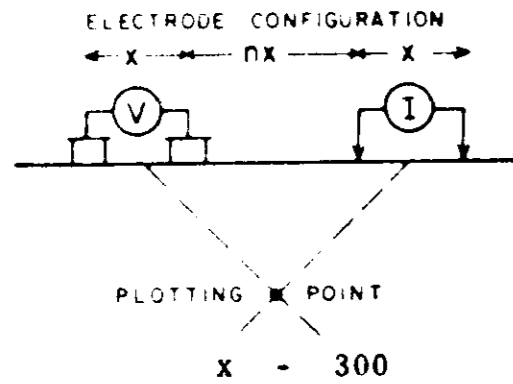
Scale - One inch = 300 Feet

ANOMALOUS ZONE   
 POSSIBLE ANOMALOUS ZONE   
 NOTE  
 LOGARITHMIC CONTOUR INTERVAL

FREQUENCY 31-5 CPS  
 DATE SURVEYED JULY 1962  
 APPROVED PI  
 DATE 10/3/62

# McPHAR GEOPHYSICS LIMITED

## INDUCED POLARIZATION AND RESISTIVITY SURVEY



M44

## KENNCO EXPLORATIONS (WESTERN) LIMITED

GALORE CREEK-LIARD MINING DIVISION, B. C.

Scale - One inch = 300 Feet

ANOMALOUS ZONE   
 POSSIBLE ANOMALOUS ZONE   
 NOTE  
 LOGARITHMIC CONTOUR INTERVAL

FREQUENCY 31 - 5 CPS

DATE SURVEYED JULY 1962

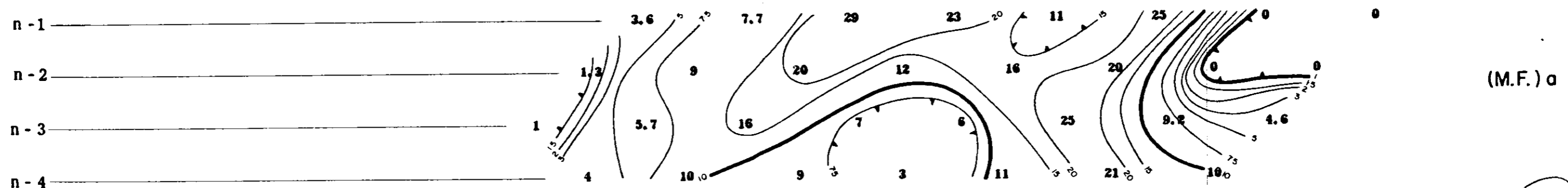
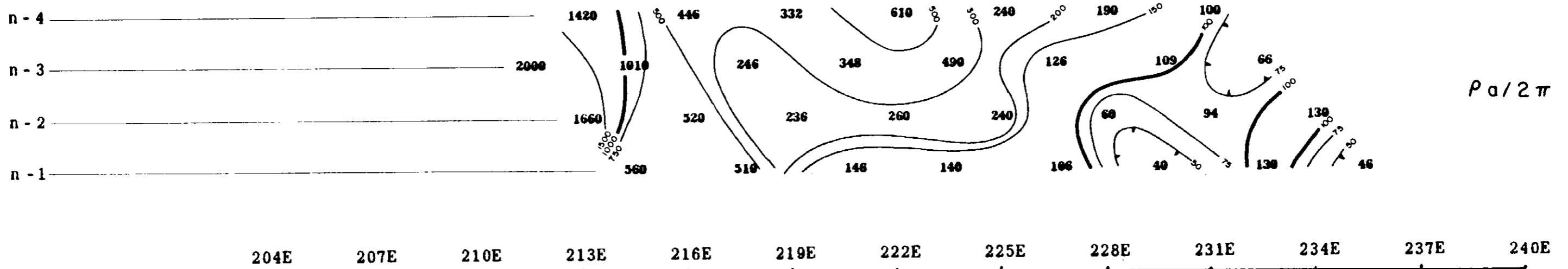
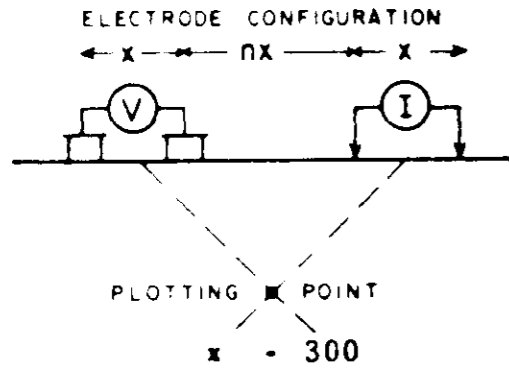
APPROVED PI

DATE 10/3/62

LINE NO.-304-N.

# McPHAR GEOPHYSICS LIMITED

## INDUCED POLARIZATION AND RESISTIVITY SURVEY



LINE NO. - 312 N.

145

### KENNCO EXPLORATIONS (WESTERN) LIMITED

GALORE CREEK-LIARD MINING DIVISION, B. C.

Scale - One inch = 300 Feet

ANOMALOUS ZONE   
 POSSIBLE ANOMALOUS ZONE   
 NOTE LOGARITHMIC CONTOUR INTERVAL

FREQUENCY - 31 - 5 CPS

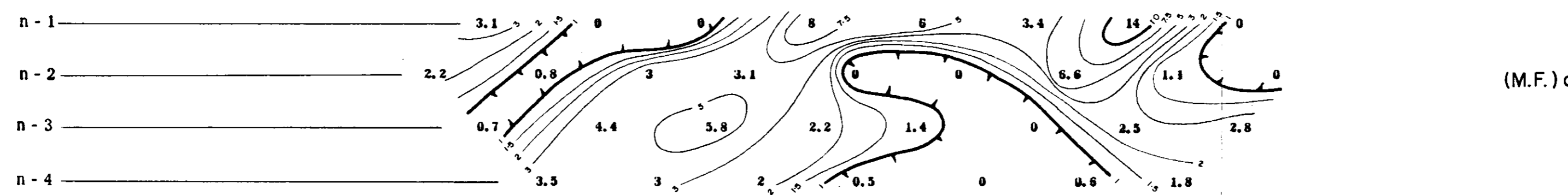
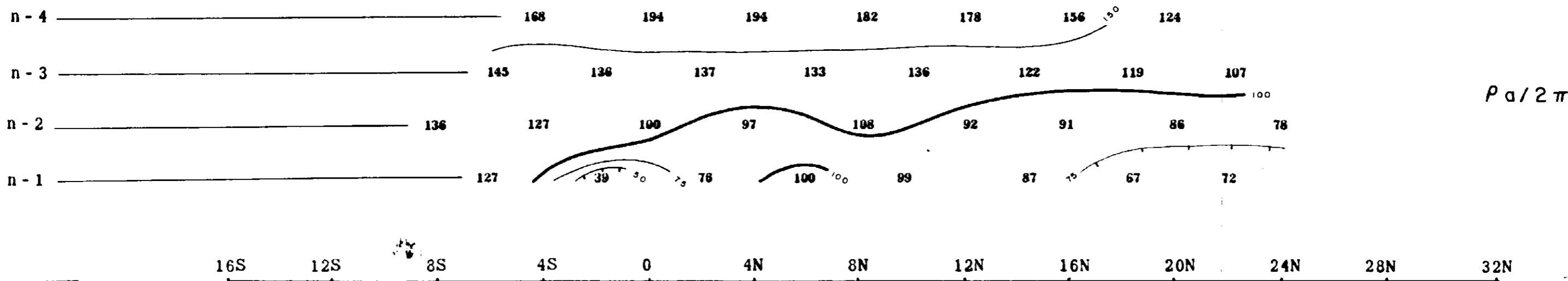
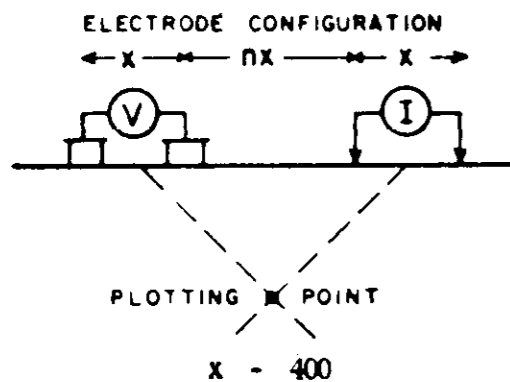
DATE SURVEYED JULY 1962

APPROVED

DATE 10/3/62

# McPHAR GEOPHYSICS LIMITED

## INDUCED POLARIZATION AND RESISTIVITY SURVEY



LINE NO.-M

M40

# KENNCO EXPLORATIONS (WESTERN) LIMITED

GALORE CREEK-LIARD MINING DIVISION, B C

Scale - One inch = 400 Feet

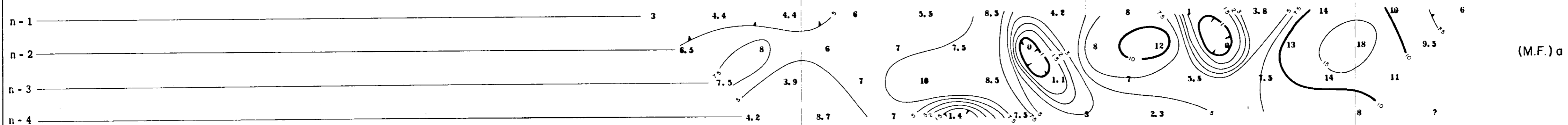
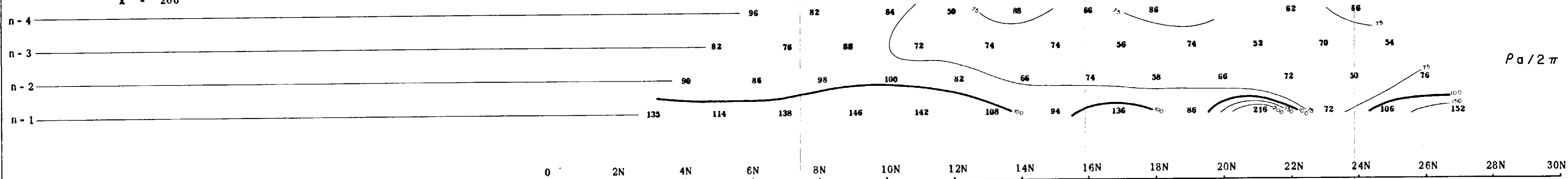
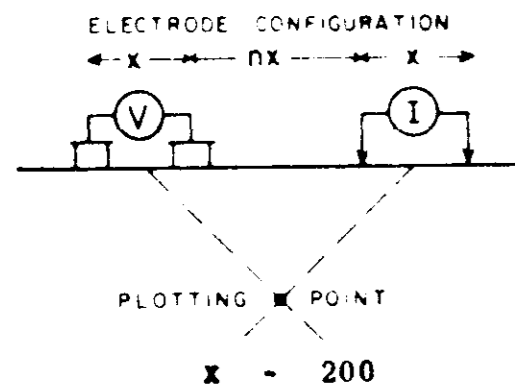
ANOMALOUS ZONE   
 POSSIBLE ANOMALOUS ZONE   
 NOTE  
 LOGARITHMIC CONTOUR INTERVAL

FREQUENCY 31-5 CPS  
 DATE SURVEYED JULY 1962  
 APPROVED   
 DATE 10/3/62



# McPHAR GEOPHYSICS LIMITED

## INDUCED POLARIZATION AND RESISTIVITY SURVEY



ANOMALOUS ZONE   
 POSSIBLE ANOMALOUS ZONE   
 NOTE  
 LOGARITHMIC CONTOUR INTERVAL

## KENNCO EXPLORATIONS (WESTERN) LIMITED

GALORE CREEK-LIARD MINING DIVISION, B. C.

Scale - One inch = 200 Feet

FREQUENCY - 31-5 CPS

DATE SURVEYED JULY 1962

APPROVED

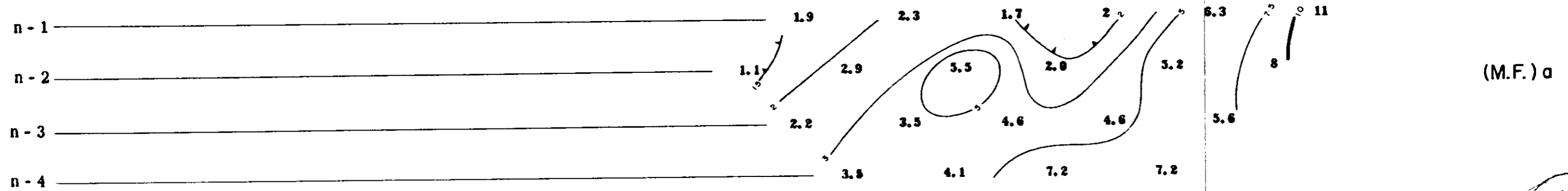
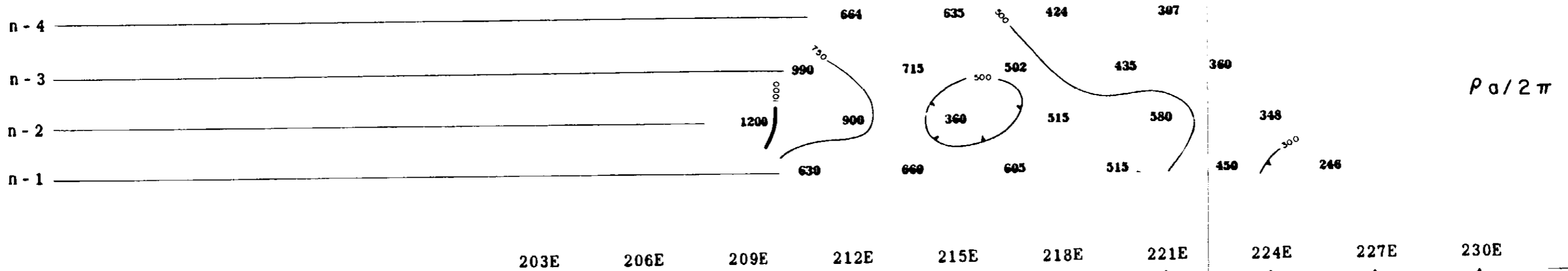
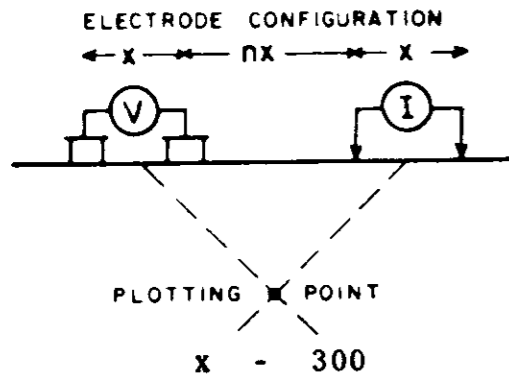
DATE 10/3/62

MLA

LINE NO. M

# McPHAR GEOPHYSICS LIMITED

## INDUCED POLARIZATION AND RESISTIVITY SURVEY



LINE NO.-320 N.

1173

# KENNCO EXPLORATIONS (WESTERN) LIMITED

GALORE CREEK-LIARD MINING DIVISION, B. C.

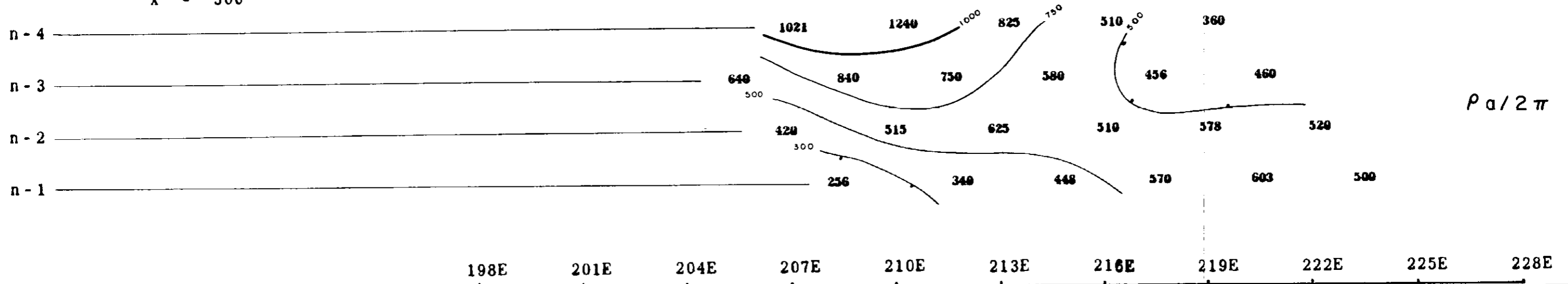
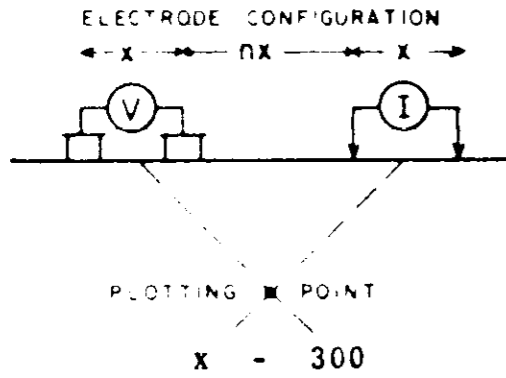
Scale - One inch = 300 Feet

ANOMALOUS ZONE **—————**  
 POSSIBLE ANOMALOUS ZONE **- - - - -**  
 NOTE LOGARITHMIC CONTOUR INTERVAL

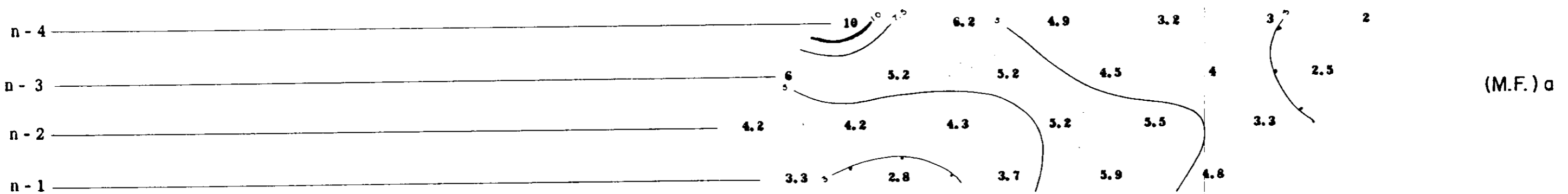
FREQUENCY 31-5 CPS  
 DATE SURVEYED JULY 1962  
 APPROVED PI  
 DATE 10/3/62

445

McPHAR GEOPHYSICS LIMITED  
INDUCED POLARIZATION AND RESISTIVITY SURVEY



$\rho_a / 2\pi$



(M.F.) a

M49

KENNCO EXPLORATIONS (WESTERN) LIMITED

GALORE CREEK-LIARD MINING DIVISION, B.C.

Scale - One inch = 300 Feet

ANOMALOUS ZONE   
POSSIBLE ANOMALOUS ZONE   
NOTE  
LOGARITHMIC CONTOUR INTERVAL

FREQUENCY - 31 - 5 CPS  
DATE SURVEYED - JULY 1962  
APPROVED   
DATE 10/3/62

LINE NO. - 326-N.