

COMINCO LTD.

EXPLORATION
NTS: 104N/11W

WESTERN DISTRICT

DRILLING REPORT ON THE

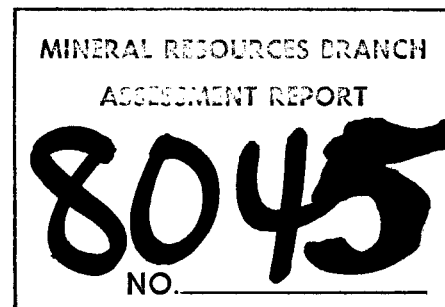
DAM, BOU & LEO CLAIMS

ATLIN M.D.

LATITUDE 59°41'N; LONGITUDE 133°22'W

OWNED BY COMINCO LTD.

WORK PERFORMED: JULY 25, 1979 TO AUGUST 19, 1979



APRIL 29, 1979

B.M. MIODUSZEWSKA

TABLE OF CONTENTS

INTRODUCTION.1

DRILLING.1

CONCLUSIONS2

LIST OF ATTACHMENTS

PLATE 1	LOCATION MAP	SCALE	1:250,000
PLATE 2	LOCATION MAP OF DDH's		1: 12,000
PLATE 3	CROSS-SECTION DDH DAM #1		1:5
PLATE 4	CROSS-SECTION DDH DAM #2		1:5
DRILL HOLE RECORD - DDH DAM #1			
DRILL HOLE RECORD - DDH DAM #2			
APPENDIX "A"	STATEMENT OF EXPENDITURES		
APPENDIX "B"	STATEMENT		
APPENDIX "C"	STATEMENT OF QUALIFICATIONS		

COMINCO LTD.

EXPLORATION
NTS: 104N/11W

WESTERN DISTRICT
29 APRIL 1980

DRILLING REPORT ON THE

DAM, BOU & LEO CLAIMS

ATLIN M.D.

INTRODUCTION

The Dam, Bou and Leo claims are 32 km east of Atlin, between Boulder and Ruby Creeks. Access is by road from Atlin. The Dambouleo property is in the Yukon Plateau of the Interior system physiographic subdivision.

The Dam, Bou and Leo claims were staked by Cominco and recorded on June 8, 1978. They are owned by Cominco Ltd. Geological mapping, soil and rock sampling were carried out in 1978, and the results were submitted in an assessment report.

DRILLING

A diamond drilling program was carried out from July 25, 1979 to August 19, 1979. Two holes, for a total of 115.8 metres, were drilled on the Leo claims of the Dambouleo property. Both holes were entirely within overburden. Drill hole records of DDH DAM #1 and DDH DAM #2 are attached. *Core is at the drill site,*

<u>Drill Hole</u>	<u>Depth (metres)</u>	<u>U (ppm)</u>
DAM 1	17.68' - 20.73	.1
DAM 1	20.73 - 23.78	.2
DAM 1	23.78 - 26.52	5.6
DAM 1	26.52 - 26.83	.1
DAM 1	26.83 - 29.73	.6
DAM 1	29.73 - 29.88	1.6
DAM 1	29.88 - 30.49	.7
DAM 1	30.49 - 31.10	.6
DAM 1	31.10 - 32.01	.7
DAM 1	32.01 - 32.77	1.0
DAM 1	32.77 - 32.93	.4
DAM 1	39.93 - 33.54	.2
DAM 1	33.54 - 33.84	.2
DAM 1	33.84 - 34.76	.4
DAM 1	34.76 - 35.67	.6
DAM 1	35.67 - 36.28	.2
DAM 1	36.28 - 36.89	.5
DAM 1	36.89 - 37.50	.5
DAM 1	37.50 - 38.41	.3

<u>Drill Hole</u>	<u>Depth (metres)</u>	<u>U (ppm)</u>
DAM 1	38.41 - 38.72	.2
DAM 1	38.72 - 39.02	.1
DAM 1	39.02 - 39.63	.1
DAM 1	39.63 - 40.24	.2
DAM 1	40.24 - 40.85	.4
DAM 1	40.85 - 41.46	.2
DAM 1	41.46 - 43.90	.5
DAM 1	43.90 - 45.43	.2
DAM 1	45.43 - 47.87	1.0
DAM 1	47.87 - 49.09	2.0
DAM 1	49.09 - 49.70	1.8
DAM 1	49.70 - 52.13	2.7
DAM 1	52.13 - 53.05	.7
DAM 1	53.05 - 54.24	.8
DAM 2	10.98 - 11.59	.5
DAM 2	17.07 - 17.68	2.2
DAM 2	17.68 - 19.82	1.0
DAM 2	32.93 - 35.06	.2
DAM 2	56.40 - 57.32	.4

Because there were some cinders and minor basalt near the top of the hole, there was a possibility that some of the underlying overburden was in fact Tertiary sediments, therefore, assay samples were taken from both DDH DAM 1 and DDH DAM 2. Results were disappointing, no above background values of U are present.

CONCLUSIONS

The two holes drilled on the Dambouleo property did not give much encouragement. Bedrock was not reached in either hole and the overburden is greater than 57 metres in depth.

Report by: Bartaria Mioduszevska
B.M. Mioduszevska
Geologist

Endorsed by: R.Y. Watanabe
R.Y. Watanabe
Senior Geologist

Approved for
Release by:

M. J. McAlister

G. Harden, Manager
Exploration
Western District

BMM:gk

List of Attachments:

Plate 1	Location Map	Scale - 1:250,000
Plate 2	Location Map of DDH's	1: 12,000
Plate 3	Cross-section DDH DAM #1	1:5
Plate 4	Cross-section DDH DAM #2	1:5
Drill Hole Record - DDH DAM #1		
Drill Hole Record - DDH DAM #2		

Appendix "A" - Statement of Expenditures
Appendix "B" - Statement
Appendix "C" - Statement of Qualifications

COMINCO LTD.

EXPLORATION

WESTERN DISTRICT

APPENDIX "A"

STATEMENT OF EXPENDITURES

TIME:

BMM - field	7 days	\$ 994.00
- office	2 days	284.00
- travel	1 day	142.00
RKS - field	7 days	609.00
office	2 days	174.00
travel	1 day	87.00

DRILLING:

Direct Costs (contract)	13,964.68
Helicopter moves	2,564.77

ACCOMMODATION:

(Atlin - Ruby Creek)	66.66
Travel to and from Atlin	107.79
Supplies (including food)	280.33

TRUCK:

Rental	218.81
Gas & Repairs	182.54

ASSAYS:

155.80

SUPERVISION:

RJN - 1 day	170.00
RYW - 1 day	190.00

\$20,191.38

COMINCO LTD.

EXPLORATION
NTS: 104N/11W

WESTERN DISTRICT
29 APRIL 1980

APPENDIX "B"

IN THE MATTER OF THE B.C. MINERAL ACT AND
IN THE MATTER OF A DRILLING PROGRAM CARRIED OUT ON THE
DAM, BOU, LEO MINERAL CLAIMS
LOCATED IN THE ATLIN MINING DIVISION
OF THE PROVINCE OF BRITISH COLUMBIA

S T A T E M E N T

I, BARBARA MARIA MIODUSZEWSKA, OF THE CITY OF VANCOUVER, IN THE PROVINCE OF BRITISH COLUMBIA, HEREBY DECLARE:

1. THAT I am employed as a geologist by Cominco Ltd. and as such, have a personal knowledge of the facts to which I hereinafter depose;
2. THAT annexed hereto and marked as Appendix "A" to this statement is a true copy of expenditures incurred on a drilling program carried out on the Dam, Bou, Leo mineral claims;
3. THAT the said expenditures were incurred for the purpose of mineral exploration of the above noted mineral claims between the 25th of July and 19th of August, 1979.

Barbara M. Mioduszevska
B.M. MIODUSZEWSKA, GEOLOGIST

COMINCO LTD.

EXPLORATION

WESTERN DISTRICT

APPENDIX "C"

STATEMENT OF QUALIFICATIONS

I, B.M. Mioduszevska, with business address at 700-409 Granville Street, Vancouver, B.C., do hereby certify that I have supervised the drill program and have logged the drill core obtained from the said drilling which was carried out on the DAMBOULEO PROPERTY during 1979.

I also certify that:

1. I graduated from the University of British Columbia with a B.Sc. in geology in 1970;
2. I have practised in British Columbia and the Northwest Territories since 1970;
3. I am a Fellow of the Geological Association of Canada.

Respectfully Submitted:

Barbara M. Mioduszevska
B.M. Mioduszevska, Geologist

Drill Hole Record



Property	DAMBOULEO	District	ATLIN	Hole No.	DAM 1
Commenced		Location		Tests at	Hor. Comp.
Completed		Core Size		Corr. Dip	Vert. Comp.
Co-ordinates				True Brg.	Logged by
Objective				% Recov.	Date

Claim
T Brg.
Collar Dip
Elev.
Length
Hole No. DAM 1
Sheet 3

Footage		Description	Sample No.	Length	Analysis				
From	To				U	ppm			
				M	U	ppm			
			37.50 - 38.41	11888	.3				
			38.41 - 38.72	11889	.2				
			38.72 - 39.02	11890	.1				
			39.02 - 39.63	11891	.1				
			39.63 - 40.24	11892	.2				
			40.24 - 40.85	11893	.4				
			40.85 - 41.46	11894	.2				
			41.46 - 43.90	11895	.5				
			43.90 - 45.43	11896	.2				
			45.43 - 47.87	11897	1.0				
			47.87 - 49.09	11898	2.0				
			49.09 - 49.70	11899	1.8				
			49.70 - 52.13	11900	2.7				
			52.13 - 53.05	11901	.7				
			53.05 - 54.27	11902	.8				

8045
BMM

Drill Hole Record



Property	DAMBOULEO	District	ATLIN	Hole No.	DAM 1
Commenced	Location		Tests at		Hor. Comp.
Completed	Core Size		Corr. Dip		Vert. Comp.
Co-ordinates			True Brg.		Logged by
Objective			% Recov.		Date

Claim	T Brg.	Collar Dip	Elev.	Length	Hole No. DAM 1 Sheet 2
-------	--------	------------	-------	--------	------------------------

From	To	Description	Sample No.	Length	Analysis					
					U	ppm				
26.68	54.27	Boulders and sandy matrix - Tertiary sediments. Mixture of boulders - skarn, chert, intrusive, mudstone and altered rock. Overall recovery ~52%.		M	U	ppm				
		48.93 - 52.74 m coring through very large boulders or bed? of altered rock, may be volcanic. Top part (~48.93 to 50-51 m) altered intrusive with rust limonite staining (manganese stain?) Green mineral present? This overlies altered volcanic, also stained pink-red.								
		Lower part of section 52.74 - 54.27 m mixture of boulders again.								
			26.83 - 29.73	11874		.6				
			29.73 - 29.88	11875		1.6				
			29.88 - 30.49	11876		.7				
			30.49 - 31.10	11877		.6				
			31.10 - 32.01	11878		.7				
			32.01 - 32.77	11879		1.0				
			32.77 - 32.93	11880		.4				
			32.93 - 33.54	11881		.2				
			33.54 - 33.84	11882		.2				
			33.84 - 24.76	11883		.4				
			34.76 - 35.67	11884		.6				
			35.67 - 36.28	11885		.2				
			36.28 - 36.89	11886		.5				
			36.89 - 37.50	11887		.5				

8045

BM

Drill Hole Record



Property	DAMBOULEO	District	ATLIN	Hole No.	DDH DAM 1
Commenced	July 27, 1979	Location		Tests at	Hor. Comp.
Completed	July 30, 1979	Core Size	BQ	Corr. Dip	-90°
Co-ordinates		True Brg.		Logged by	RKS & BMM
Objective		% Recov.		Date	July 29, 1979

Claim

T Brg.

Collar Dip
-90°

Elev.
1326.22

Length
54.27 m

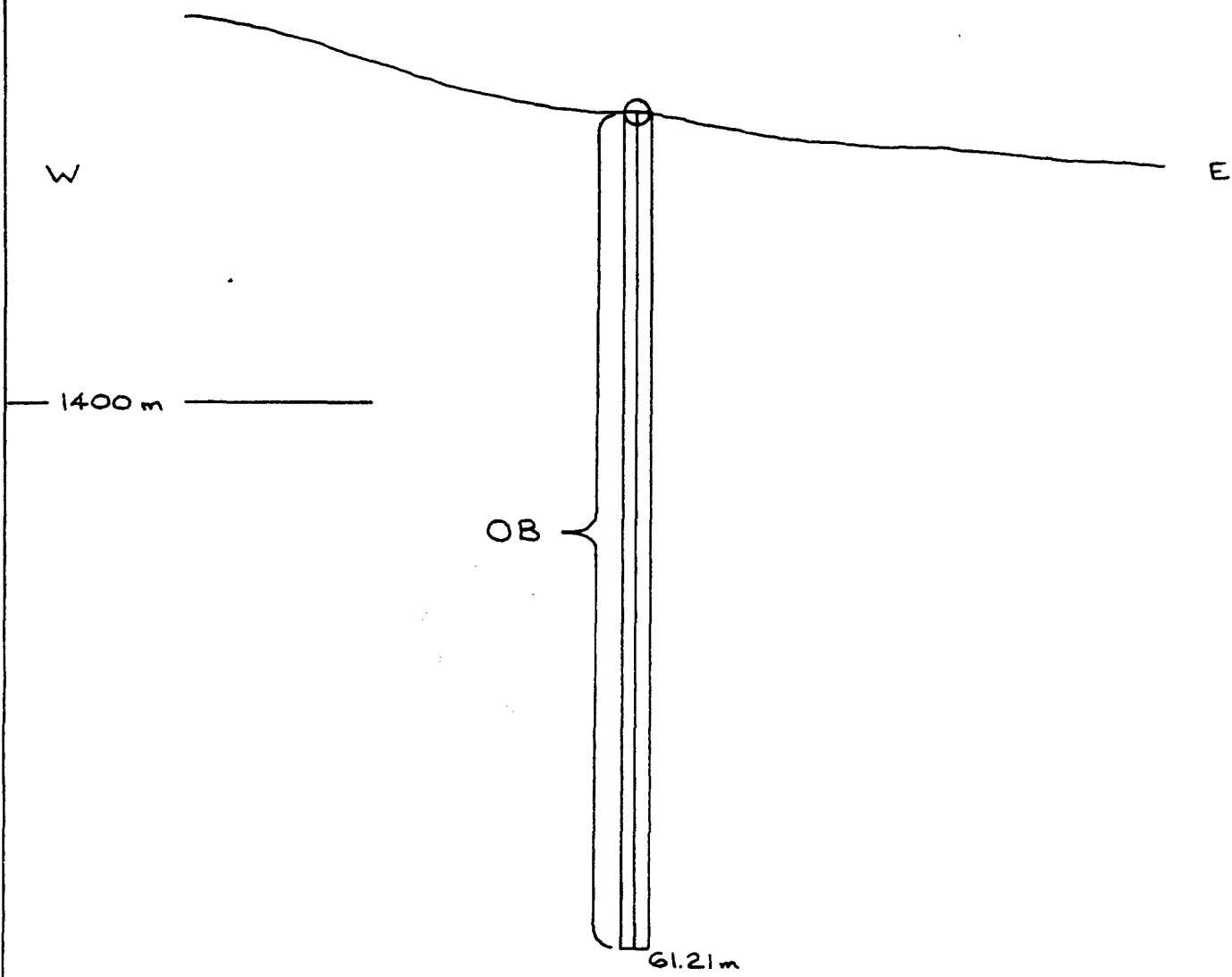
Hole No. Sheet

* xxxx METRES		Description	Sample No.	Length M	Analysis	
From	To				U	ppm
0	- 4.57	Cinders and pumice and very vesicular basalt (5% recovery). Reddish colour to dark grey-black. Trace magnetite; a few scattered amygdules of zeolite, calcite.				
4.57	- 10.52	Boulders of mainly skarn, with occasional boulders of volcanics-basalt (very vesicular) and cinders. Recovery 16%.				
10.52	- 11.89	Vesicular basalt and cinders, with boulders of skarn and mudstone or shale. Basalt has 1-5% olivine and trace magnetite, dark grey-black colour; cinders - reddish colour. Recovery 37%.				
11.89	- 12.78	Boulders of skarn, mudstone or shale with trace of pyrite, some cinders and volcanics- i.e. basalt. Recovery ~100%				
12.78	- 17.68	Basalt, dark grey colour, very vesicular, verging on a pumice, vesicles aligned at approximately 45°. Basalt has minor olivine, trace magnetite and trace zeolites. Recovery 42%.				
17.68	- 26.68	Boulders of skarn, intrusives, shale and minor basalt. Generally pieces cored are small <2", a few longer sections of core 6-8".				
		(17.68 - 20.73)	11870		.1	
		(20.73 - 23.78)	11871		.2	
		(23.78 - 26.52)	11872		5.6	
		(26.52 - 26.83)	11873		.1	

8045

BMM

DAM #2



LEGEND

- 3 BASALT, FLOWS, CINDERS
- 2 TERTIARY SEDIMENTS ?
- 1 INTRUSIVE

MINERAL RESOURCES BRANCH
ASSESSMENT REPORT
8045
NO. _____



Drawn by: RKS		Traced by:	
Revised by	Date	Revised by	Date

DAMBOULEO PROPERTY

BMM

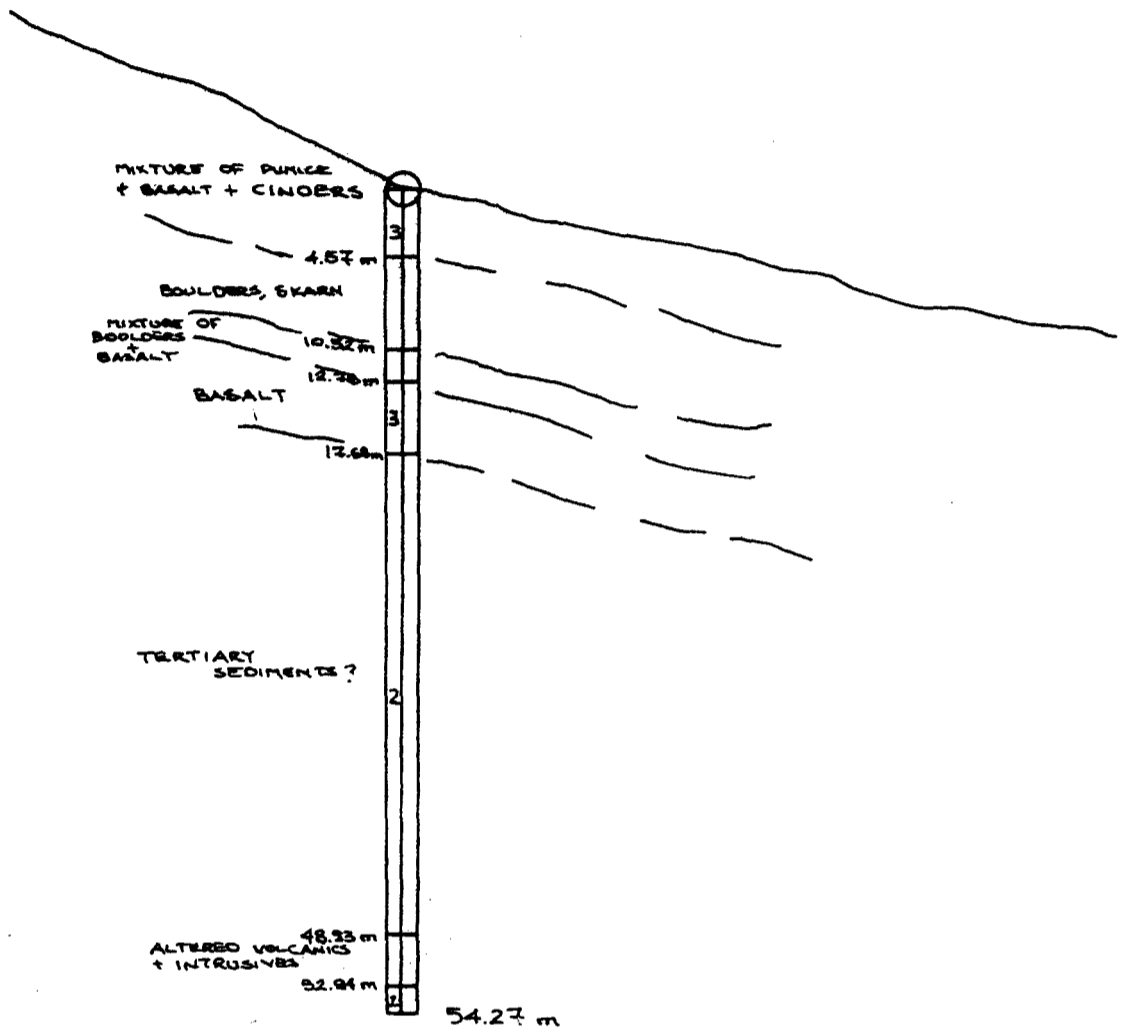
Scale: 1:5 Date: AUGUST 29/79 Plate: 4

DAM #1

1350 m

W

E



1300 m

1250 m

LEGEND

- 3 BASALT, FLOWS, CINDERS
- 2 TERTIARY SEDIMENTS ?
- 1 INTRUSIVE

MINERAL RESOURCES BRANCH
ASSESSMENT REPORT

8045

NO.

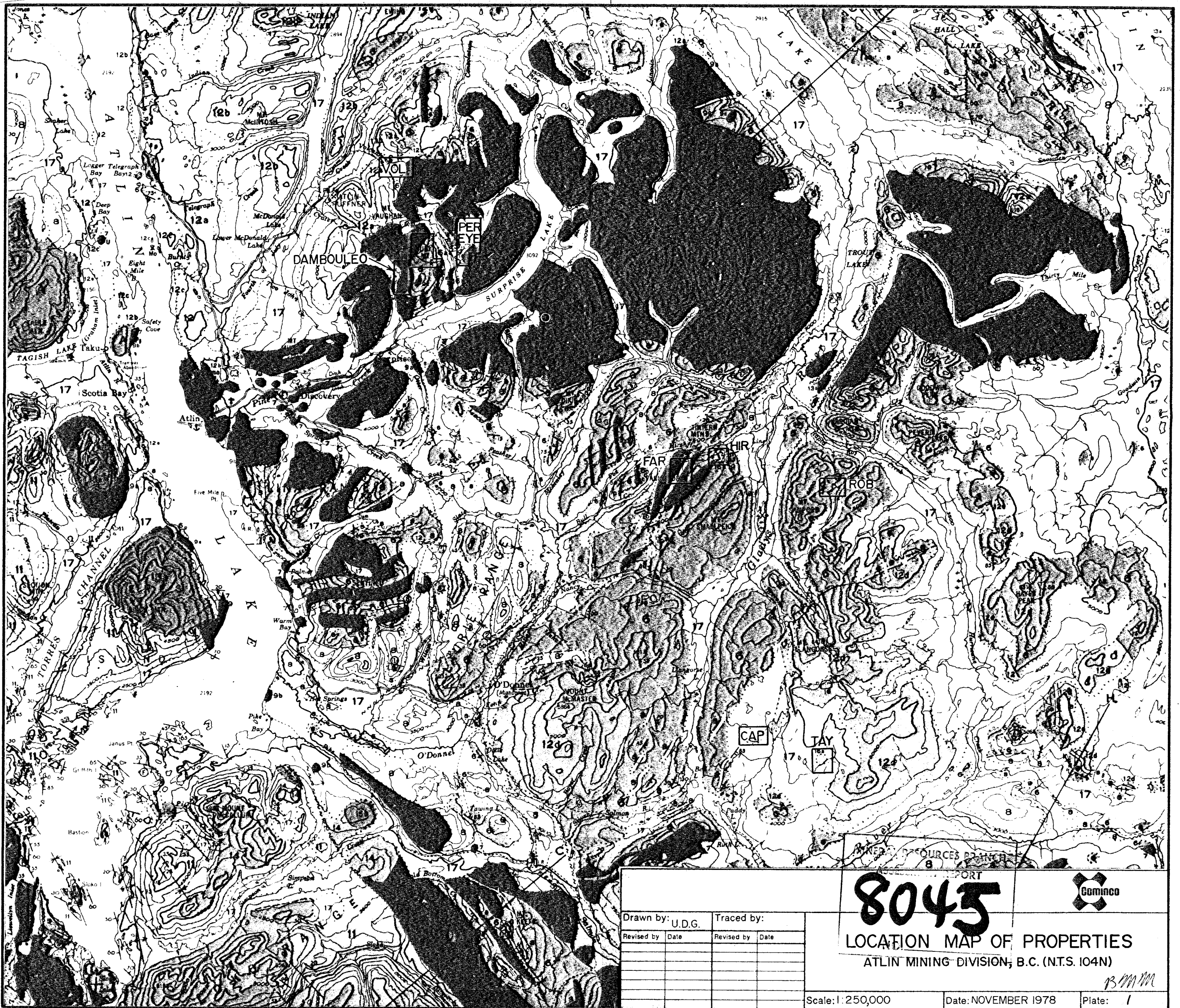


Drawn by: BMM		Traced by: RKS	
Revised by	Date	Revised by	Date

DAMBOULEO PROPERTY

BMM

Scale: 1 : 5 Date: AUGUST 12/79 Plate: 3



Drawn by:	U.D.G.	Traced by:	
Revised by:	Date	Revised by:	Date

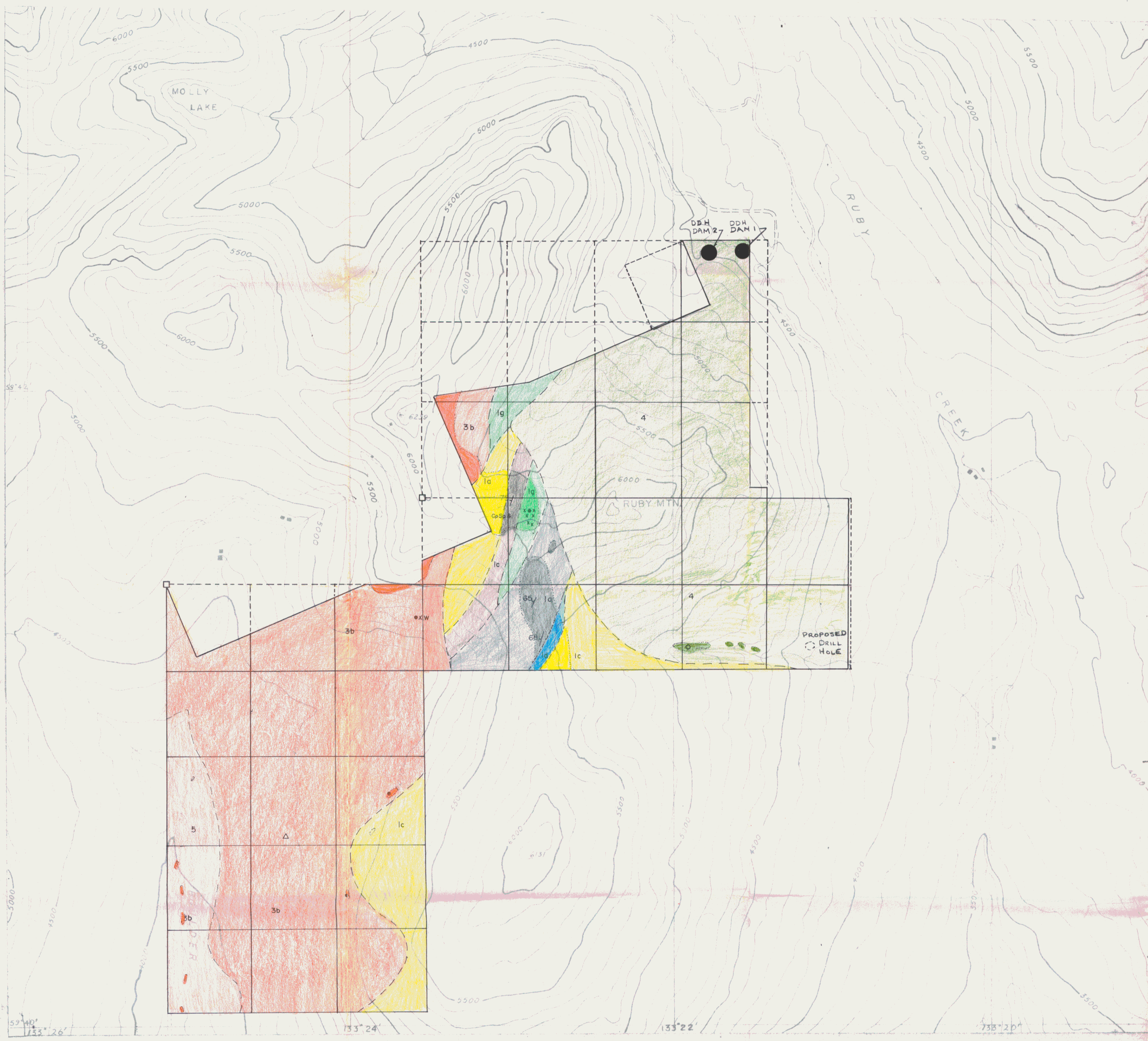
MINERAL RESOURCES BRANCH
REPORT

8045

LOCATION MAP OF PROPERTIES
ATLIN MINING DIVISION, B.C. (N.T.S. 104N)

BMM

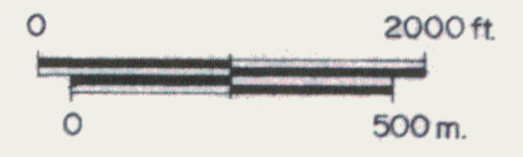
Scale: 1:250,000	Date: NOVEMBER 1978	Plate: 1
------------------	---------------------	----------



LEGEND

- 5 Glacial drift and alluvium Quaternary
- 4 Olivine basalt and scoria Tertiary and Quaternary
- 3b Alaskite Cretaceous
- 3a Granitoid intrusives Jurassic
- 2 Ultramafics Pennsylvanian and Permian
- Cache Creek Group:
 - 1a undifferentiated metasediments
 - 1b chert-pebble conglomerate, greywacke
 - 1c grey chert and argillite
 - 1d grey marble
 - 1e dark grey "ribbon" chert
 - 1f buff to light grey chert, quartzite
 - skarn, amphibolite
- foliation: strike/dip
- bedding: strike/dip
- fault: observed, inferred
- fold axis: plunge
- axial trace: antiform, synform
- outcrop
- contact: observed, inferred
- claim boundary
- △ □ ○ sample site: water, silt rock, soil
- x S,W,Cp,Sp, F,Zu,Mo Mineralization: scheelite, wolframite, chalcopyrite, sphalerite, fluorite, zeunerite, molybdenite
- legal corner post

SCALE



MINERAL RESOURCES BRANCH
ASSESSMENT REPORT
8045
NO.

DAMBOULEO GROUP

Drawn by: <u>U.D.G.</u>	Traced by:	GEOLOGY <i>B.M.M.</i>
Revised by: _____	Revised by: _____	
AND LOCATION OF DDH'S DAM#1, DAM#2		Scale: 1:12000 Date: Sept 1978 Plate: <u>2</u>
Date: _____		