

HUDSON BAY EXPLORATION AND DEVELOPMENT  
COMPANY LIMITED

GEOCHEMICAL SURVEY  
on the  
AL 6 CLAIM GROUP

OMINECA MINING DIVISION  
BRITISH COLUMBIA

93-F/1W Latitude: 53°10' Longitude: 124°21'

by

EDWARD W. YARROW, B. Sc

January 1981

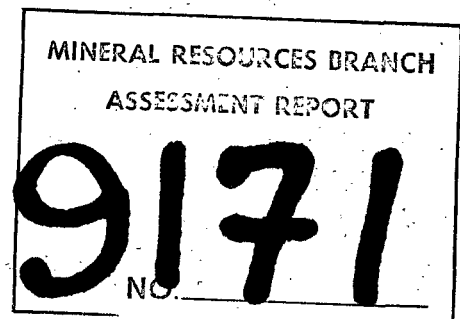


TABLE OF CONTENTS

	<u>Page</u>
INTRODUCTION	1
LOCATION & ACCESS	1
CLAIMS	1
GEOLOGY & SOIL DEVELOPMENT	1
FIELD METHOD ANALYSIS	1 2
DISCUSSION OF GEOCHEMICAL RESULTS	3
CONCLUSIONS	3

PLATES

(In Pocket)

PLATE No. 1	-	AL 6	Claim Group - Location Map
PLATE No. 2	-	AL 6	Claims
PLATE No. 3	-	AL 6	Claims - Plan Map of Zn values and sample sites 1:5000
PLATE NO. 4	-	AL 6	Claims " " Cu,Ag,Au " " " " "

APPENDIX

APPENDIX 1	Statement of Expenditures	4
APPENDIX 2	Analytical Results - Acme Laboratories	5
APPENDIX 3	Cumulative Frequency Graphs - Cu-Zn	6
APPENDIX 4	Statement of Qualifications	7

## INTRODUCTION

The AL 6 claim group was located by Hudson Bay Exploration and Development personnel in July 1979. Since that time a cut, picketed and chained grid has been established and geochemical and geophysical surveys completed. In August, 1980 Hudson Bay personnel under the supervision of E.W. Yarrow collected 190 soil samples which were consequently analyzed by Acme Analytical Laboratories of Vancouver for zinc, copper, gold and silver. The following report has been prepared to fulfil the requirements of the Mineral Act governing the filing of geochemical work for assessment credit. A statement and breakdown of expenditures is contained in Appendix 1.

## LOCATION AND ACCESS - Plate No. 1

The AL claim is located in the Omineca Mining Division of British Columbia approximately 100 kilometers west of the town of Quesnel. NTS Map 93-F/1W, Lat.  $53^{\circ}10'$ . Long.  $124^{\circ}21'$ . Access to this property is via helicopter with a Northern Mountain helicopter based in Fort St. James supplying air support.

## CLAIMS - Plate No. 2

At present AL 6 (Record No. 1904) is comprised of 20 units wholly owned by Hudson Bay Exploration and Development Company Limited. The claims are in good standing until July 18, 1981 with an additional credit of \$1,400 also applied for future assessment.

## GEOLOGY AND SOIL DEVELOPMENT

Geological information for this area is scant with government geological maps indicating the region is covered by glacial drift and/or Tertiary basalts. No geological mapping was done by Hudson Bay as prospecting failed to locate any bedrock exposures within the claims. The area is heavily forested with minor relief drained by a small southeast flowing stream. A 5 to 12 centimeter thick 'A' soil horizon comprised of brown to black humus lies upon a light to dark brown 'B' horizon with much of the underlying parent material glacial debris.

## FIELD METHODS

Prior to the geochemical survey a grid with a base line bearing  $N50^{\circ}W$  with cross lines every 100 meters was established. Soil samples were then collected, using a mattock, at 50 meter intervals along every second line (200 meters) with 190 samples collected. These samples were collected from the 'B' soil horizon

at an average depth of 13 centimeters. Samples weighing approximately 225 grams were collected in brown paper soil envelopes, air dried and then shipped to Acme Analytical Labs in Vancouver for analysis.

#### ANALYSIS

Samples were analyzed for zinc-copper-silver-gold with results for Zn-Cu-Ag reported in parts per million and for gold in parts per billion. Acme Analytical Laboratories, 852 E. Hastings St. Vancouver, B.C. analyzed the samples with the results contained in Appendix 2 and plotted in plan on Plates 3 and 4. The following is the analytical procedure for the four elements.

#### Geochemical Analysis of Cu, Pb, Zn and Ag\*

##### Sample preparation

Soil samples are dried at 75°C and sieved to -80 mesh.

Rock samples are ground to -100 mesh.

##### Digestion

A .50 gram sample is digested with dilute Aqua Regia in boiling water bath and diluted to 10 mls with demineralized water.

##### Determination

All the above elements are determined by Atomic Absorption from the solution.

\*With background correction.

#### Geochemical Analysis of Au

##### Digestion and Extration

A 10 gram sample which has been ignited over night at 600°C is digested hot with dilute Aqua Regia, and the clear solution is extracted with Methyl Isobuthyl Ketone.

##### Determination

Au is determined by Graphite furnace AA from the MIBK extractant with background correction.

## DISCUSSION OF GEOCHEMICAL RESULTS

Threshold values for copper and zinc were obtained by plotting cumulative frequency curves on log-probability paper and determining threshold value at the 95 percent level. (Appendix 3).

These values are:

	<u>Threshold</u>
Cu	40
Zn	160

The analysis of soils for gold and silver resulted in mostly undetectable amounts.

Copper - No significant geochemical trends were observed. A few small anomalies with peak values of 76 p.p.m. Cu were obtained in the east central portion of the grid.

Zinc - No significant geochemical trends were outlined.

## CONCLUSIONS

The soil sample survey did not indicate any significant trends or major anomalies and no further work of a geochemical nature is warranted.

Edward W. Yarrow

APPENDICES

APPENDIX 1

STATEMENT OF EXPENDITURES

190 soil samples analyzed for Cu, Zn, Ag, Au @ \$3.00/sample	\$570.00
3 days sampling @ \$60/day	180.00
Room and Board - 2 men @ \$25/day	150.00
Report Preparation 2 days @ \$120/day	240.00
Drafting - 2 days @ \$60/day	120.00
Supplies - (Sample bags, drafting supplies, field equipment)	50.00
	<u>\$ 1,310.00</u>
Include \$1,400 credit applied in July 1980 for future assessment	<u>1,400.00</u>
	<u>\$ 2,710.00</u>

APPENDIX 2



To: Hudson Bay Exploration and Development Co. Ltd.,  
440 - 1055 W. Hastings St.,  
Vancouver, B.C.  
V6E 2E9

File No. 80-725

Type of Samples Soils

**GEOCHEMICAL ASSAY CERTIFICATE**

Attn.: Mr. E. Yarrow

Disposition \_\_\_\_\_

Sampler Pickson

SAMPLE No.		Mo	Cu	Zn	Ag	Au						
AL6 51N 50	E	1	17	86	.1	.005						1
50+50		1	26	62	.1	.005						2
51		1	21	82	.1	.005						3
51+50		1	19	90	.1	.005						4
52		1	30	66	.2	.005						5
52+50		1	26	50	.1	.005						6
53		1	22	52	.1	.005						7
53+50		1	12	64	.1	.005						8
54		1	14	58	.1	.005						9
54+50		1	20	50	.1	.005						10
55		1	30	41	.1	.005						11
55+50		1	16	114	.1	.005						12
56		1	17	98	.1	.005						13
56+50		1	31	98	.2	.005						14
57		1	52	100	.3	.005						15
57+50	(N.S.)											16
53		1	26	72	.1	.005						17
58+75		2	42	62	.6	.005						18
59	(N.S.)											19
59+50		1	48	96	.1	.005						20
AL6 51N 60	E	1	29	98	.3	.005						21
												22
AL6 53N 50	E	1	46	66	.3	.005						23
50+25		1	28	132	.2	.005						24
50+50		1	25	96	.3	.005						25
51		1	27	122	.2	.005						26
51+50		1	86	68	.2	.045						27
53		1	27	70	.1	.005						28
53+50		1	18	130	.1	.005						29
54		1	21	112	.1	.005						30
54+50		1	38	128	.1	.005						31
55		1	20	58	.1	.005						32
55+50		1	14	134	.1	.005						33
56+15		1	31	112	.1	.005						34
56+50		1	15	210	.1	.005						35
57		1	19	62	.1	.005						36
57+50		1	20	58	.1	.005						37
AL6 53N 58	E	1	15	68	.1	.005						38
												39
												40

All reports are the confidential property of clients  
All results are in PPM.

DIGESTION:.....

DETERMINATION:.....

DATE SAMPLES RECEIVED July 30, 1980

DATE REPORTS MAILED Aug. 11, 1980

ASSAYER Dean Toye

DEAN TOYE, B.Sc.  
CHIEF CHEMIST  
CERTIFIED B.C. ASSAYER





To: Hudson Bay Exploration & Development Co. Ltd.

Assaying & Trace Analysis

852 E. Hastings St., Vancouver, B. C. V6A 1R6

phone: 253-3158

80-725

File No. -----

Soils

Type of Samples -----

### GEOCHEMICAL ASSAY CERTIFICATE

Disposition -----

2

SAMPLE No.	Mo	Cu	Zn	Ag	Au						
AL6 53N 58+50 E	1	22	70	.2	.005						1
59	1	14	60	.1	.005						2
59+50	1	20	52	.1	.005						3
AL6 53N 60 E	1	15	52	.2	.005						4
											5
AL6 55N 50 E	1	38	104	.2	.005						6
50+50	1	20	76	.2	.005						7
51	1	12	112	.1	.005						8
51+50	1	22	116	.2	.005						9
52	1	14	152	.1	.005						10
52+50	1	23	78	.1	.005						11
53	1	20	80	.1	.005						12
53+50	1	15	52	.1	.005						13
54	1	15	44	.1	.005						14
54+50	1	23	48	.2	.005						15
55	1	41	68	.3	.005						16
55+50	1	17	70	.2	.005						17
56	1	14	98	.1	.005						18
56+50	1	20	146	.1	.005						19
57	1	40	290	.2	.005						20
58	1	20	118	.3	.005						21
58+50	1	14	112	.1	.005						22
59	1	16	66	.2	.005						23
59+50	1	15	60	.1	.005						24
AL6 55N 60 E	1	15	52	.2	.005						25
											26
AL6 57N 50 E	1	18	64	.1	.005						27
50+50	1	11	108	.1	.005						28
51	1	11	116	.2	.005						29
51+50	1	18	62	.1	.005						30
52	1	14	94	.1	.005						31
52+50	1	10	76	.1	.005						32
53	1	12	58	.1	.005						33
53+50	1	12	104	.1	.005						34
54	1	15	84	.1	.005						35
54+50	1	16	90	.1	.005						36
55	1	12	128	.2	.005						37
AL6 57N 55+75 E	1	29	54	.1	.005						38
											39
											40

All reports are the confidential property of clients  
All results are in PPM.

DIGESTION:.....

DETERMINATION:.....

DATE SAMPLES RECEIVED July 30, 1980

DATE REPORTS MAILED Aug. 11, 1980

ASSAYER *[Signature]*

DEAN TOYE, B.Sc.  
CHIEF CHEMIST  
CERTIFIED B.C. ASSAYER



To: Hudson Bay Exploration & Development Co. Ltd.,

File No. 80-725

Type of Samples Soils

**GEOCHEMICAL ASSAY CERTIFICATE**

Disposition \_\_\_\_\_

SAMPLE No.	Mo	Cu	Zn	Ag	Au						
AL6 57N 56 E	1	19	42	.1	.005						1
56+50	1	21	40	.1	.005						2
57	1	76	68	.2	.005						3
57+50	1	22	42	.1	.005						4
58	2	21	96	.1	.005						5
58+50	1	16	52	.1	.005						6
59	1	23	40	.1	.005						7
59+50	1	19	46	.2	.005						8
AL6 57N 60 E	1	16	64	.1	.025						9
											10
AL6 59N 50 E	1	21	68	.1	.005						11
50+50	1	16	94	.1	.005						12
51	1	27	68	.1	.005						13
51+50	1	16	100	.1	.005						14
52	1	25	66	.1	.005						15
52+50	1	23	68	.1	.010						16
53	1	25	86	.1	.005						17
54	1	22	168	.1	.005						18
54+50	1	13	196	.1	.010						19
55	1	23	110	.1	.005						20
55+50	1	32	54	.1	.005						21
56	1	24	56	.1	.005						22
56+50	1	16	66	.1	.005						23
57	1	24	52	.1	.005						24
57+50	1	22	52	.1	.005						25
58	1	60	74	.1	.005						26
58+50	1	23	50	.1	.005						27
59	1	31	60	.2	.005						28
59+50	1	52	82	.2	.005						29
AL6 59N 60 E	1	31	58	.1	.005						30
											31
AL6 61N 50 E	1	18	82	.1	.005						32
50+50	1	19	74	.1	.005						33
51	1	17	58	.1	.005						34
51+50	1	16	54	.1	.005						35
52	1	38	72	.1	.005						36
52+50	1	29	74	.1	.035						37
53	1	13	160	.1	.005						38
AL6 61N 53+50 E	1	16	168	.1	.005						39
											40

All reports are the confidential property of clients  
All results are in PPM.

DIGESTION:.....

DETERMINATION:.....

DATE SAMPLES RECEIVED July 30, 1980

DATE REPORTS MAILED Aug. 11, 1980

ASSAYER Dean Toy

DEAN TOYE, B.Sc.  
CHIEF CHEMIST  
CERTIFIED B.C. ASSAYER



To: Hudson Bay Exploration & Development Co. Ltd.,

80-725

File No. \_\_\_\_\_

Type of Samples Soils

Disposition \_\_\_\_\_

### GEOCHEMICAL ASSAY CERTIFICATE

SAMPLE No.	Mo	Cu	Zn	Ag	Au						
AL6 61N 54 E	1	20	196	.1	.005						1
54+50	1	18	245	.1	.005						2
55	1	23	178	.2	.005						3
55+50	1	22	194	.1	.005						4
56	1	32	64	.1	.005						5
56+50	1	23	92	.1	.005						6
57	1	17	86	.1	.005						7
57+50	1	36	70	.1	.005						8
58	1	28	64	.1	.005						9
58+50	1	19	76	.1	.005						10
59	1	22	58	.1	.005						11
59+50	1	30	80	.1	.005						12
AL6 61N 60 E	1	17	58	.1	.005						13
											14
AL6 63N 50 E	1	15	102	.1	.005						15
50+50	1	27	78	.1	.005						16
51	1	20	100	.1	.005						17
51+50	1	17	50	.1	.005						18
52+50	1	18	80	.1	.005						19
53	2	35	62	.1	.005						20
53+50	1	31	90	.1	.005						21
54	1	26	58	.1	.005						22
54+50	1	41	76	.1	.005						23
55	1	25	72	.1	.005						24
55+50	1	76	60	.1	.005						25
56	1	32	50	.1	.005						26
56+50	1	20	62	.1	.005						27
57	1	31	108	.1	.005						28
57+50	1	46	74	.2	.005						29
58	1	24	42	.1	.005						30
58+50	1	22	58	.1	.005						31
59	1	24	50	.2	.005						32
AL6 63N 59+50 E	1	15	41	.1	.005						33
											34
AL6 65N 50 E	1	22	78	.1	.005						35
50+50	1	21	60	.1	.005						36
51	1	28	56	.1	.005						37
AL6 65N 51+50 E	1	13	88	.1	.005						38
											39
											40

All reports are the confidential property of clients  
All results are in PPM.

DIGESTION:.....

DETERMINATION:.....

DATE SAMPLES RECEIVED July 30, 1980

DATE REPORTS MAILED Aug. 11, 1980

ASSAYER

DEAN TOYE, B.Sc.  
CHIEF CHEMIST  
CERTIFIED B.C. ASSAYER



To: Hudson Bay Exploration & Development Co. Ltd.,

File No. 80-725

Type of Samples Soils

GEOCHEMICAL ASSAY CERTIFICATE

Disposition

5

SAMPLE No.	Mo	Cu	Zn	Ag	Au						
AL6 65N 53 E	1	20	54	.2	.005						1
55	1	22	60	.1	.005						2
55+50	1	14	68	.2	.005						3
56	1	12	78	.2	.005						4
56+50	1	21	90	.1	.005						5
57	2	23	62	.1	.005						6
57+50	1	27	80	.2	.005						7
58	1	18	74	.2	.005						8
58+50	1	26	62	.2	.005						9
59	1	21	56	.2	.005						10
59+50	1	21	70	.1	.005						11
AL6 65N 60 E	1	16	56	.1	.005						12
AL6 67N 50 E	1	20	52	.1	.005						13
52+50	1	26	68	.2	.005						14
53	1	28	72	.3	.005						15
53+50	1	15	100	.1	.005						16
54	1	18	70	.1	.005						17
57+50	1	26	49	.2	.005						18
58	1	17	46	.1	.005						19
58+50	1	30	112	.2	.005						20
59	1	28	98	.1	.005						21
AL6 67N 59+50 E	1	25	100	.4	.005						22
AL6 69N 50 E	1	17	64	.1	.005						23
50+50	1	18	60	.2	.005						24
51	1	18	78	.1	.005						25
51+50	1	12	58	.1	.005						26
52	1	14	58	.1	.005						27
52+50	1	16	56	.1	.005						28
53	1	19	78	.1	.005						29
53+50	1	20	56	.1	.005						30
54	1	13	58	.1	.005						31
54+50	1	15	46	.1	.005						32
55	1	10	41	.1	.005						33
55+50	1	13	44	.1	.010						34
56	1	16	54	.1	.005						35
AL6 69N 56+50 E	1	10	54	.1	.005						36
											37
											38
											39
											40

All reports are the confidential property of clients  
All results are in PPM.

DIGESTION:.....

DETERMINATION:.....

DATE SAMPLES RECEIVED July 30, 1930

DATE REPORTS MAILED Aug. 11, 1930

ASSAYER

*Dean Toyé*

DEAN TOYE, B.Sc.  
CHIEF CHEMIST  
CERTIFIED B.C. ASSAYER



To: Hudson Bay Exploration & Development Co. Ltd.,

File No. 80-725

Type of Samples Soils

Disposition

GEOCHEMICAL ASSAY CERTIFICATE

SAMPLE No.	Mo	Cu	Zn	Ag	Au						
AL6 69N 57 E	1	13	102	.1	.005						1
57+50	1	21	54	.1	.005						2
58	1	10	60	.1	.005						3
58+50	1	16	62	.1	.005						4
59	1	22	68	.1	.005						5
59+50	1	23	58	.1	.005						6
AL6 69N 60 E	1	22	62	.1	.005						7
											8
											9
AL15 51N 50 E	1	12	86	.2	.005						10
50+50	1	20	136	.1	.005						11
51	1	18	86	.1	.005						12
51+50	1	14	84	.1	.005						13
52	1	17	86	.1	.005						14
52+50	1	15	84	.1	.005						15
53	1	13	68	.1	.005						16
53+50	1	12	52	.1	.005						17
54	1	16	74	.1	.005						18
54+50	1	11	78	.1	.005						19
55	1	10	122	.1	.005						20
55+50	1	12	84	.1	.005						21
56	1	9	38	.1	.005						22
56+50	1	16	116	.1	.005						23
57	1	14	74	.1	.005						24
57+50	1	29	100	.1	.005						25
58	1	10	108	.1	.005						26
58+50	1	9	70	.1	.005						27
59	1	8	118	.1	.005						28
59+50	1	13	72	.1	.005						29
AL15 51N 60 E	1	9	92	.1	.005						30
											31
											32
AL15 53N 50 E	1	10	114	.1	.005						33
50+50	1	13	96	.1	.005						34
51	1	10	108	.1	.005						35
51+50	1	14	106	.1	.005						36
52	1	11	78	.1	.005						37
52+50	1	12	74	.1	.005						38
53	1	8	68	.1	.005						39
AL15 53N 53+50 E	1	9	66	.1	.005						40

All reports are the confidential property of clients  
All results are in PPM.

DIGESTION:.....

DETERMINATION:.....

DATE SAMPLES RECEIVED July 30, 1980  
DATE REPORTS MAILED Aug. 11, 1980

ASSAYER *Dean Toye*

DEAN TOYE, B.Sc.  
CHIEF CHEMIST  
CERTIFIED B.C. ASSAYER



To: Hudson Bay Exploration & Development Co. Ltd.,

Assaying & Trace Analysis

852 E. Hastings St., Vancouver, B. C. V6A 1R6

phone: 253-3158

80-725

File No. \_\_\_\_\_

Type of Samples Soils

Disposition \_\_\_\_\_

### GEOCHEMICAL ASSAY CERTIFICATE

SAMPLE No.	Mo	Cu	Zn	Ag	Au						
AL15 53N 54 E	1	12	54	.1	.005						1
54+50	2	8	72	.1	.005						2
55	1	10	68	.1	.005						3
55+50	1	10	68	.1	.005						4
56	2	15	72	.1	.005						5
56+50	1	8	108	.1	.005						6
57	1	22	182	.1	.005						7
57+50	1	14	94	.1	.005						8
58	1	8	78	.1	.005						9
58+50	1	7	104	.1	.005						10
59	1	8	80	.1	.005						11
59+50	1	13	92	.1	.005						12
AL15 53N 60 E	1	14	144	.1	.005						13
											14
AL15 55N 50 E	1	13	64	.1	.005						15
50+50	1	14	112	.1	.005						16
51	1	8	38	.1	.005						17
51+50	1	10	74	.1	.005						18
52	1	8	102	.1	.005						19
52+50	1	17	62	.1	.005						20
53+50	1	27	49	.1	.005						21
54	1	13	48	.1	.005						22
54+50	1	12	90	.1	.005						23
55	1	10	420	.1	.005						24
55+50	1	9	123	.1	.005						25
56	1	12	33	.1	.005						26
56+50	1	10	70	.1	.005						27
57	1	10	33	.1	.005						28
57+50	1	9	82	.1	.005						29
58	1	11	66	.1	.005						30
58+50	1	12	94	.1	.005						31
59	1	9	45	.1	.005						32
59+50	1	16	112	.1	.005						33
AL15 55N 60 E	1	18	108	.2	.005						34
											35
AL15 57N 50 E	1	10	60	.1	.005						36
50+50	1	17	78	.1	.005						37
51	1	10	30	.1	.005						38
AL15 57N 51+50 E	1	8	74	.1	.005						39
											40

All reports are the confidential property of clients  
All results are in PPM.

DIGESTION:.....

DETERMINATION:.....

DATE SAMPLES RECEIVED July 30, 1980

DATE REPORTS MAILED Aug. 11, 1980

ASSAYER Dean Toye

DEAN TOYE, B.Sc.  
CHIEF CHEMIST  
CERTIFIED B.C. ASSAYER



To: Hudson Bay Exploration & Development Co. Ltd.,

File No. 80-725

Type of Samples Soils

Disposition

GEOCHEMICAL ASSAY CERTIFICATE

8

SAMPLE No:	Mo	Cu	Zn	Ag	Au					
AL15 57N 52 E	1	18	72	.1	.005					1
52+50	1	12	102	.1	.005					2
53	1	9	170	.1	.005					3
53+50	1	8	142	.1	.005					4
54	1	12	146	.1	.005					5
54+50	1	7	110	.1	.005					6
55	1	19	108	.2	.005					7
55+50	1	18	76	.1	.005					8
56	1	10	132	.1	.005					9
56+50	2	9	140	.1	.005					10
57	1	9	114	.1	.005					11
57+50	1	6	74	.1	.005					12
58	2	8	138	.1	.005					13
58+50	1	12	132	.1	.005					14
59	1	9	126	.1	.005					15
59+50	1	8	154	.1	.005					16
AL15 57N 60 E	1	12	74	.1	.005					17
										18
										19
										20
										21
										22
										23
										24
										25
										26
										27
										28
										29
										30
										31
										32
										33
										34
										35
										36
										37
										38
										39
										40

All reports are the confidential property of clients  
All results are in PPM.

DIGESTION:.....

DETERMINATION:.....

DATE SAMPLES RECEIVED July 30, 1980

DATE REPORTS MAILED Aug. 11, 1980

ASSAYER *[Signature]*

DEAN TOYE, B.Sc.  
CHIEF CHEMIST  
CERTIFIED B.C. ASSAYER

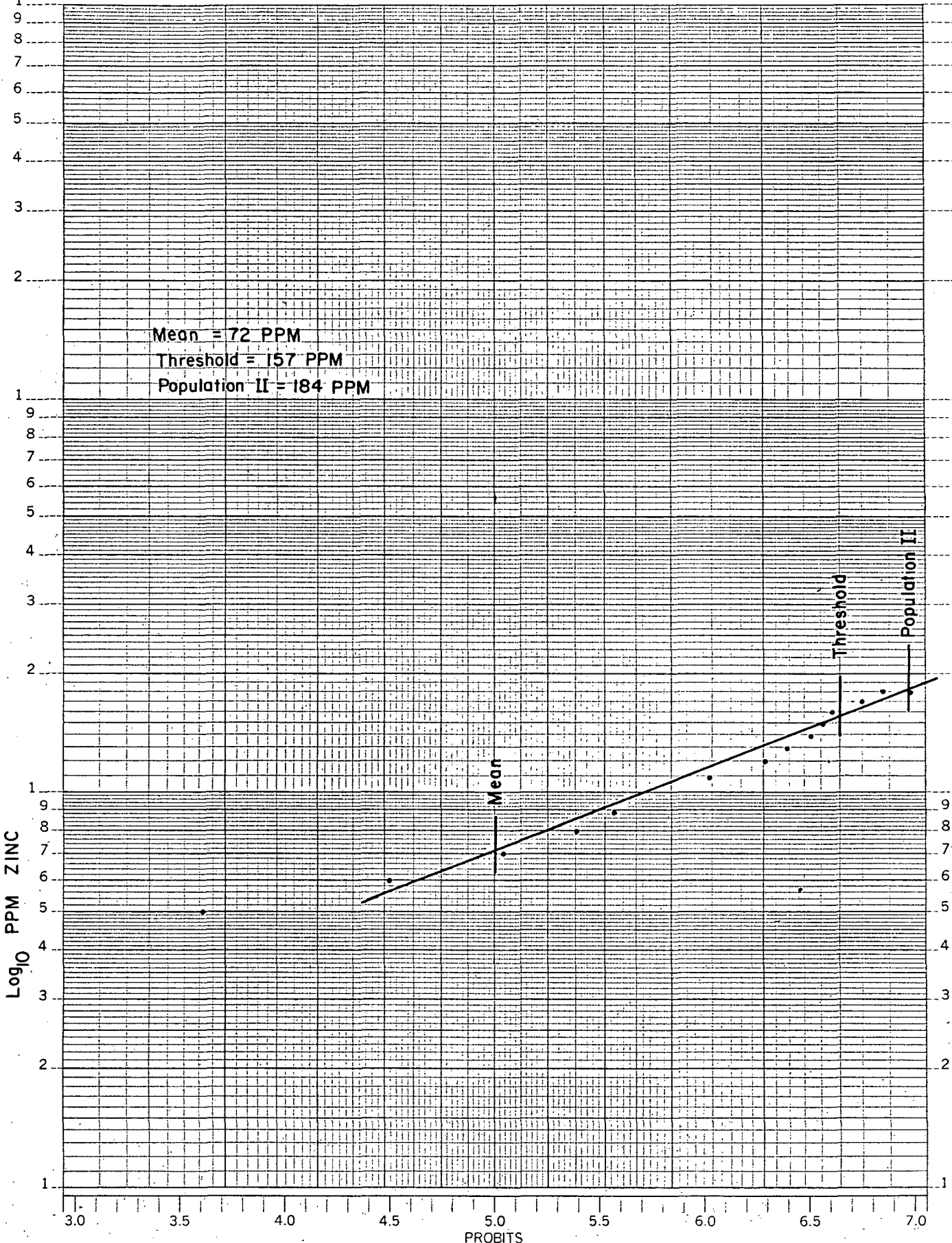
APPENDIX 3

CUMULATIVE FREQUENCY GRAPHS  
COPPER AND ZINC



CUMULATIVE PERCENT

PERCENTAGE  
2% 5 10 15 20 30 40 50 60 70 80 85 90 95 98%



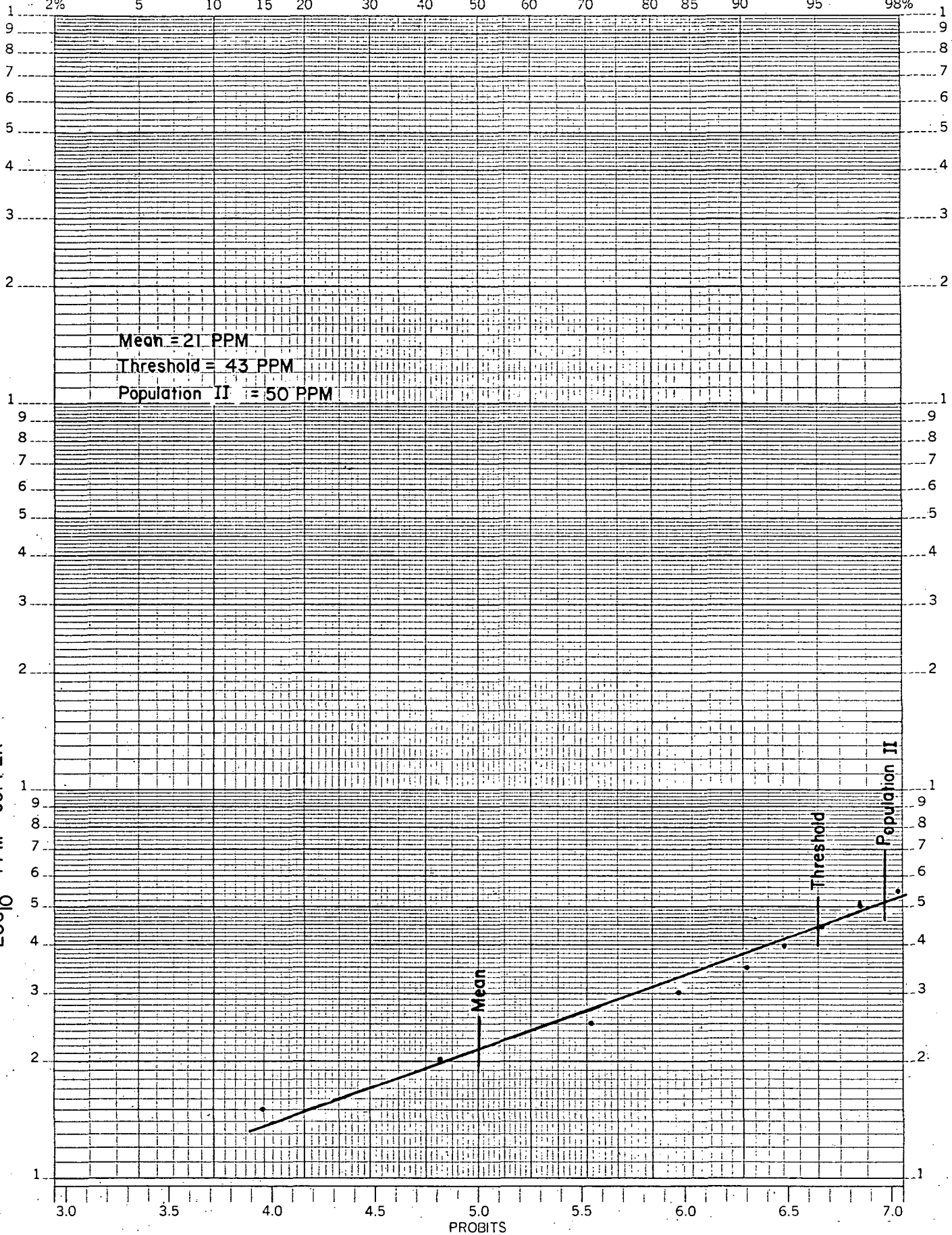
46 8082

KE PROBABILITY X 3 LOG CYCLES  
KEUFFEL & ESSER CO. MADE IN U.S.A.

CUMULATIVE PERCENT

PERCENTAGE

2% 5 10 15 20 30 40 50 60 70 80 85 90 95 98%



Mean = 21 PPM  
Threshold = 43 PPM  
Population II = 50 PPM

PROBABILITY X 3 LOG CYCLES  
KEUFFEL & ESSER CO. MADE IN U.S.A.

46 8082

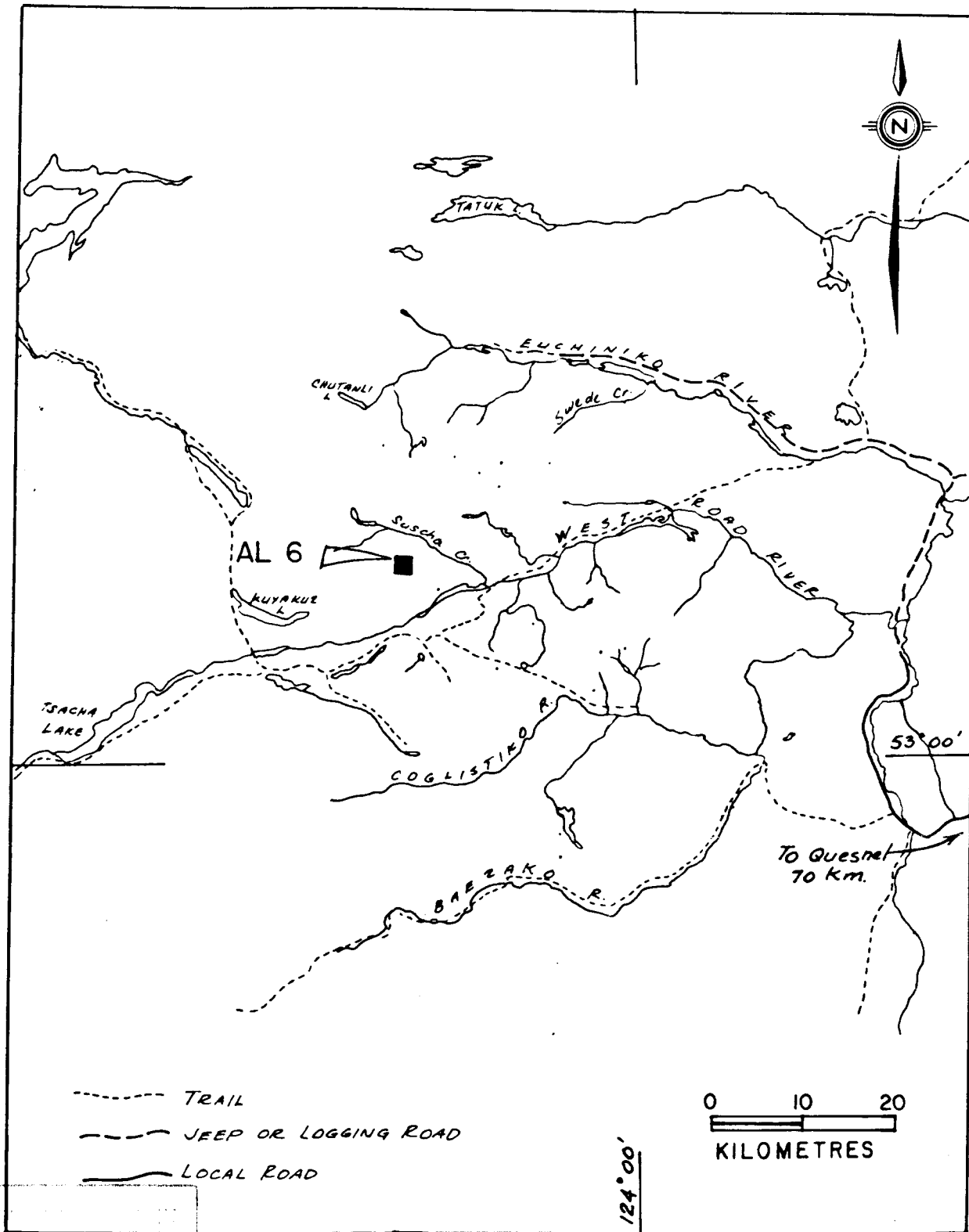
COPPER - AL 6 CLAIMS

APPENDIX 4

STATEMENT OF QUALIFICATIONS

I, Edward William Yarrow, do hereby affirm

- That I am a B.Sc graduate in Geology from the University of British Columbia in 1970.
- That I have practised my profession in Europe, United States and Canada since graduation. This work has included supervision of geochemical, geophysical, geological and diamond drill programs.
- That I am a Fellow of the Geological Association of Canada.
- That I am presently employed as Senior Geologist, British Columbia, for Hudson Bay Exploration and Development Company Limited.

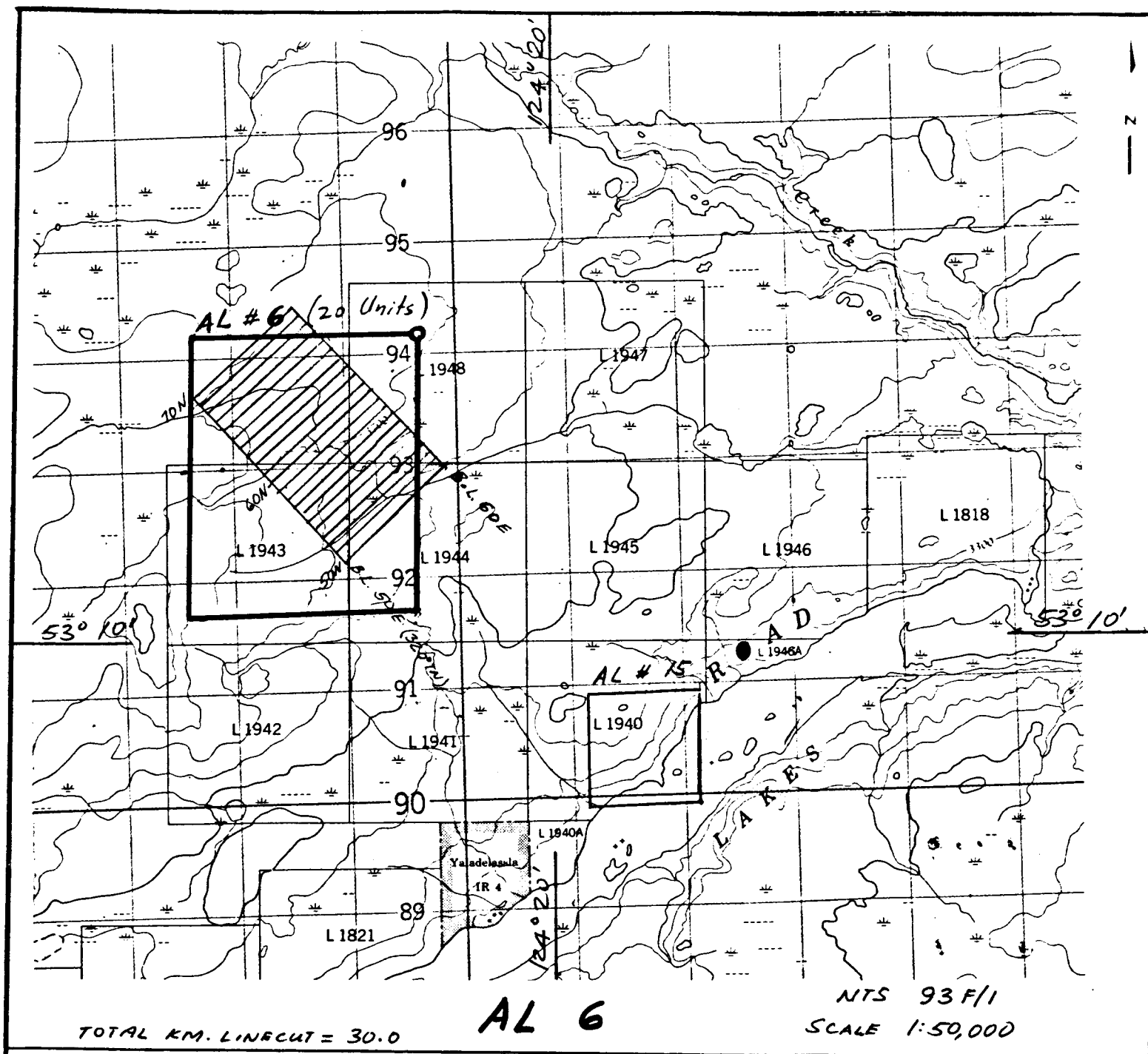


9171

NO.

LOCATION MAP

PLATE I

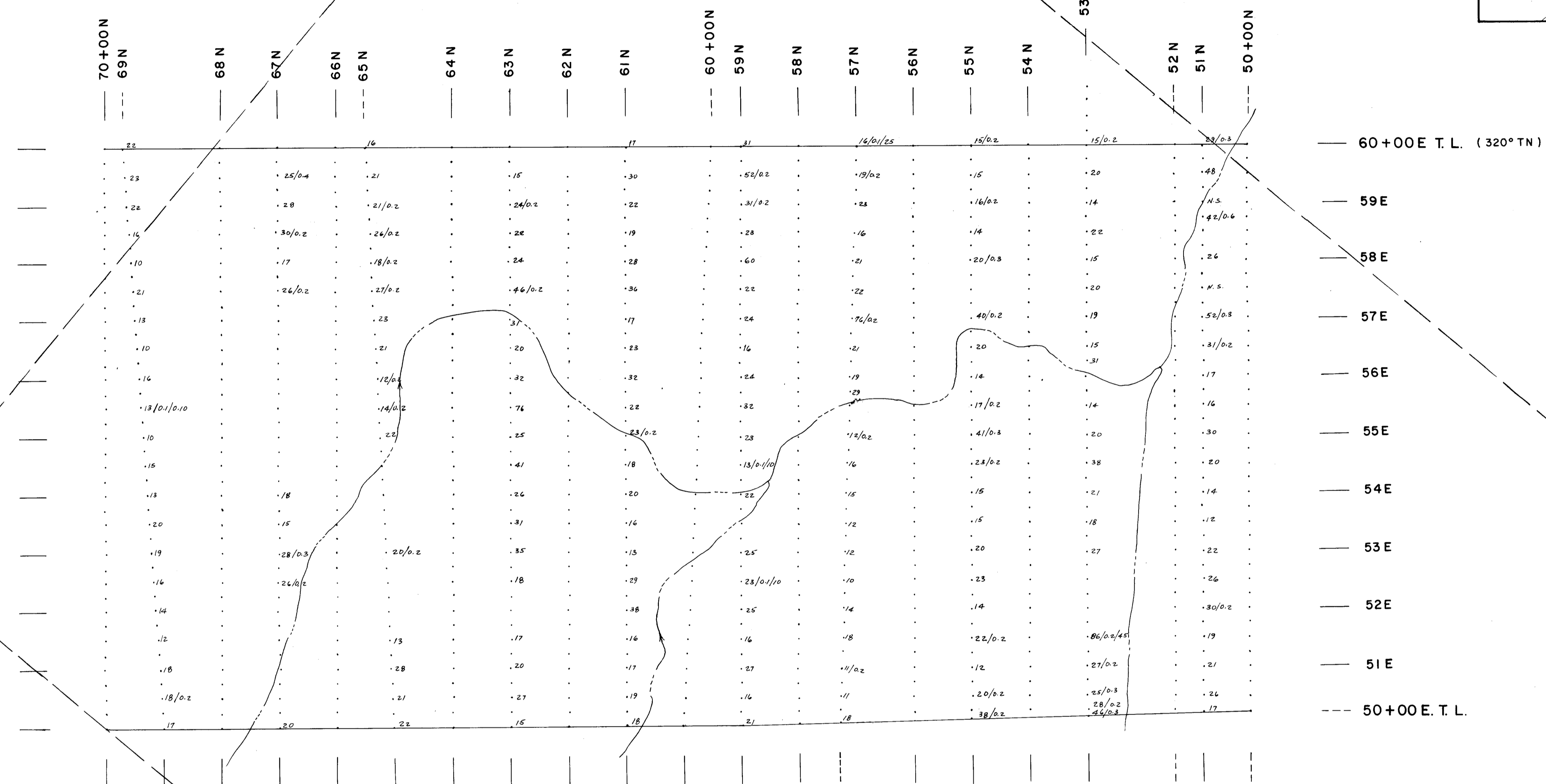
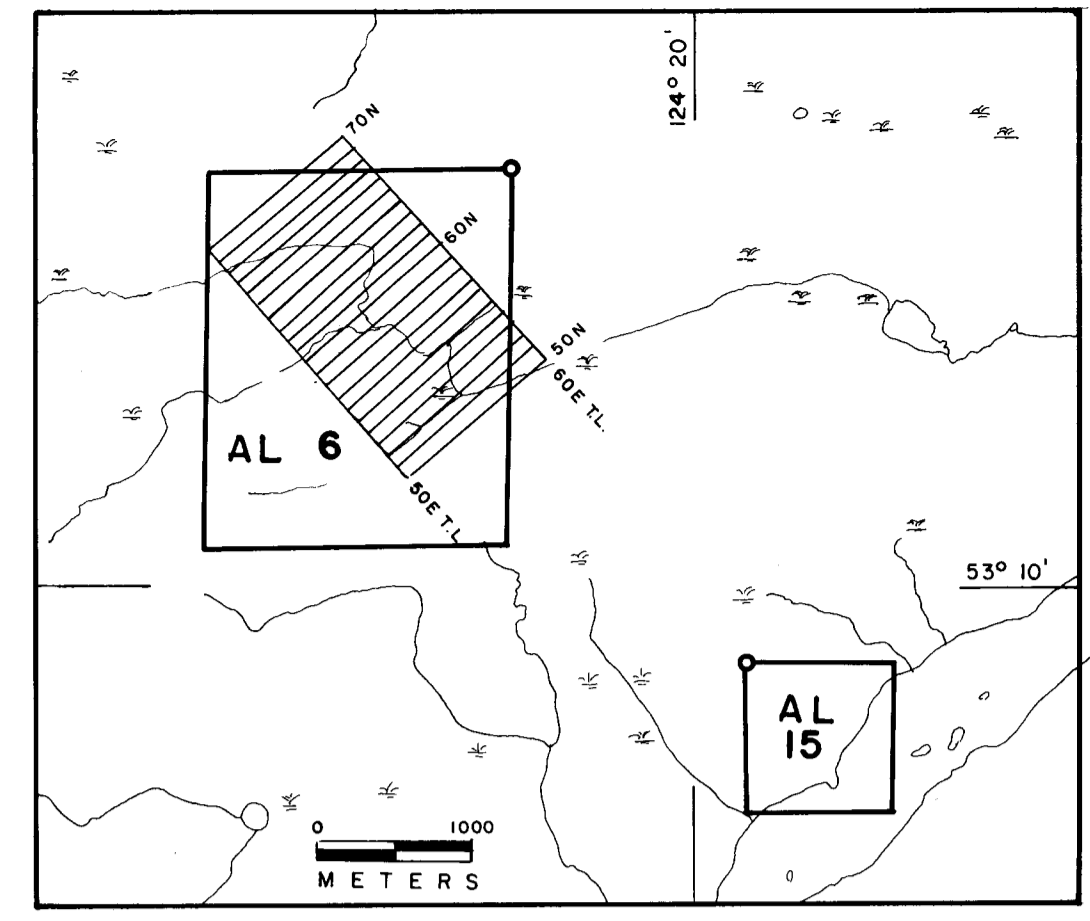
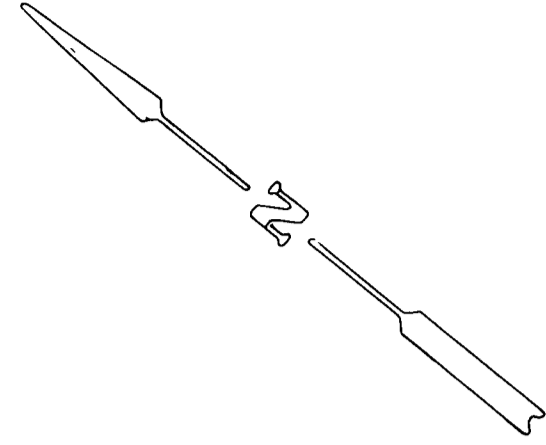


UNITED STATES GEOLOGICAL SURVEY  
 AND MINERAL BUREAU

**9171**

NO.

PLATE 2



MINERAL RESOURCES BRANCH  
ASSESSMENT REPORT  
**9171**  
NO.

Cu, Ag, Au  
• Cu/Ag/Au

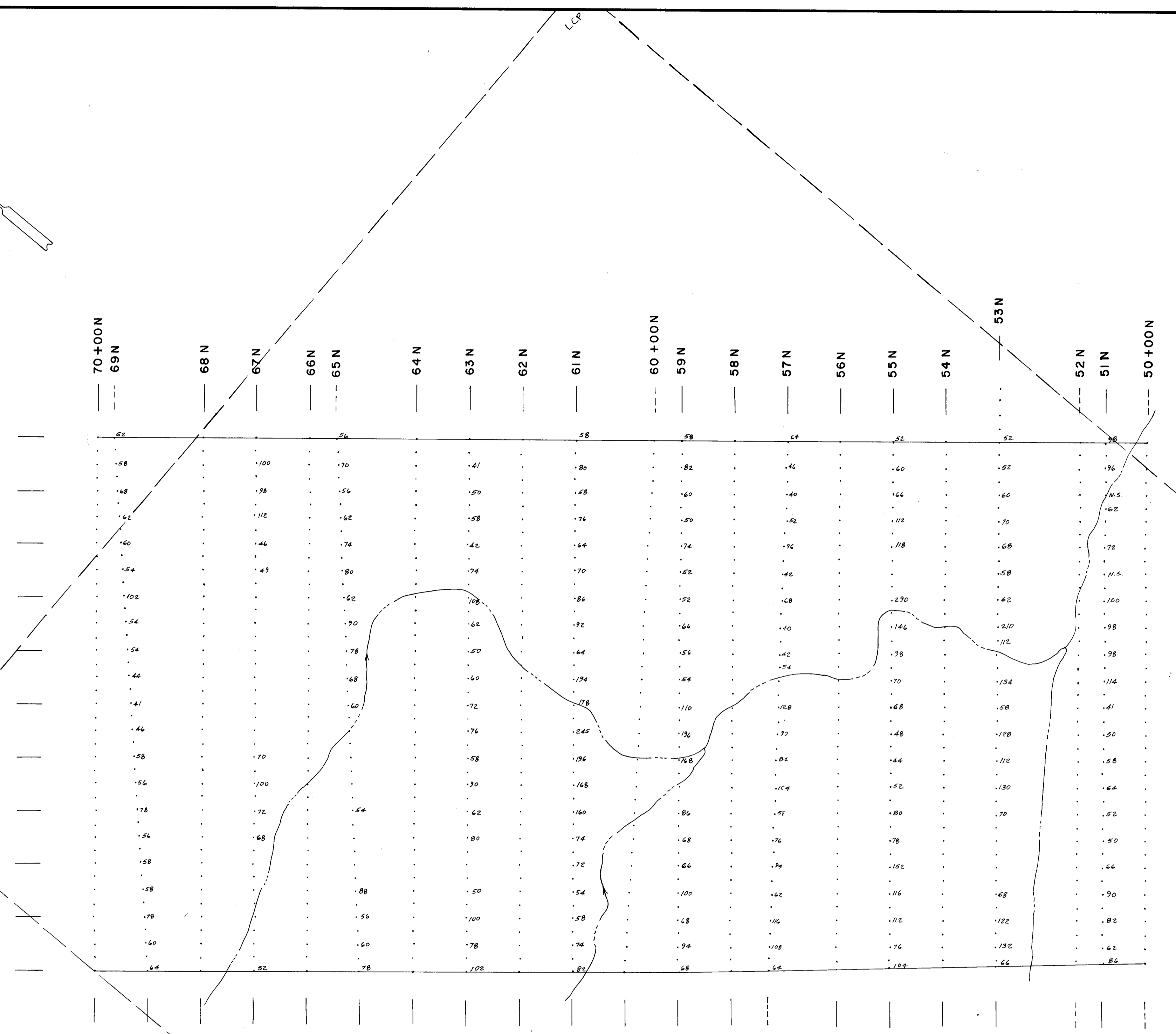
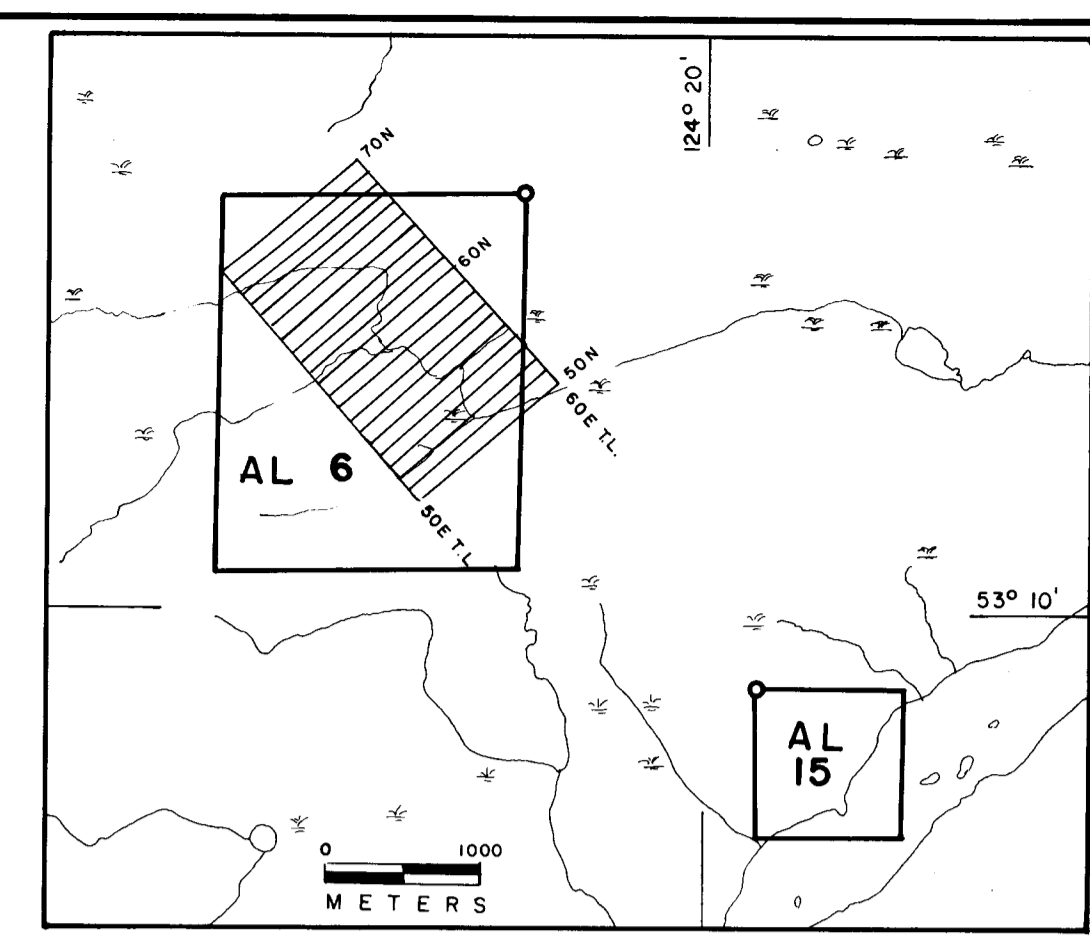
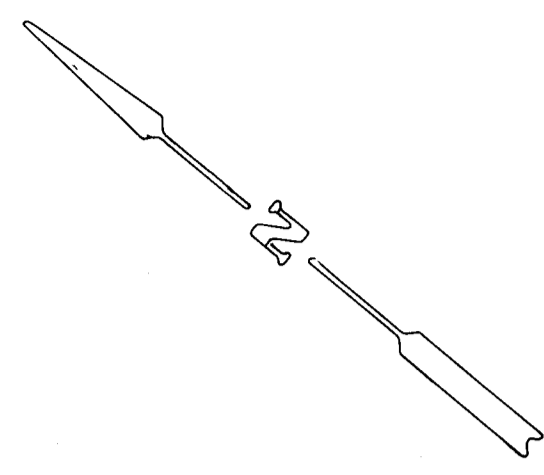
**HUDSON BAY EXPLORATION & DEVELOPMENT CO. LTD**  
VANCOUVER, B. C.

**Cu, Ag, Au in SOIL**  
(PPM) (PPM) (PPB)  
**AL 6 CLAIM**  
OMINECA M. D., NTS: 93F/1E

DRAWN BY: *AMC* DATE: Aug., 1980 APPRD. BY: \_\_\_\_\_

SCALE: 1:5000  
0 100 200 METERS

PLATE NO. **3**



60+00E T.L. (320° TN)  
59E  
58E  
57E  
56E  
55E  
54E  
53E  
52E  
51E  
50+00E T.L.

MINERAL RESOURCES BRANCH  
ASSESSMENT REPORT  
**9171**  
NO.

HUDSON BAY EXPLORATION &  
DEVELOPMENT CO. LTD  
VANCOUVER, B. C.

Zn in SOIL  
(PPM)  
AL 6 CLAIM  
OMINECA M.D., NTS: 93F/1E

DRAWN BY: *SM* DATE: Aug., 1980 APPR'D. BY:

SCALE: 1:5000  
0 100 200  
METERS

PLATE NO.  
**4**