

84-#422-12347

MineQuest Report #59  
Ref. No. RM604

FEHR CLAIMS

PROSPECTING

Kamloops Mining Division

N.T.S. 92 I/10W, 11E

Latitude 50°42'N

Longitude 120°00'W

59

By

S.L. Ridley and D. Moraal

of

MineQuest Exploration Associates Ltd.

<u>CLAIM NAME</u>	<u>RECORD NUMBER</u>	<u>UNITS</u>	<u>DATE RECORDED</u>
Fehr I	4101	16	July 06, 1982
Fehr II	4102	16	July 06, 1982
Fehr III	4103	16	July 06, 1982
Fehr IV	4394	18	March 31, 1983
Fehr V	4395	16	March 31, 1983

**GEOLOGICAL BRANCH  
ASSESSMENT REPORT**

12,347

March, 1984

TABLE OF CONTENTS

	<u>Page</u>
1.0 INTRODUCTION	1 /
2.0 LOCATION, ACCESS AND TOPOGRAPHY	1 /
3.0 OWNERSHIP AND CLAIM STATUS	2 /
4.0 HISTORY AND PREVIOUS WORK	3 /
5.0 WORK CARRIED OUT IN 1983	3 /
5.1 Prospecting	3 /
6.0 GEOLOGY	3 /
7.0 RESULTS	4 /
7.1 Prospectors Report	4 /
8.0 CONCLUSIONS	7 /
9.0 REFERENCES	8 /

LIST OF ILLUSTRATIONS

<u>Figure</u>		<u>Page</u>
1.	Location Map (Plan 485)	after page 1 /
2.	Prospecting (Plan 590)	in pocket /

LIST OF TABLES

	<u>Page</u>
I. Claim Status	3 /

LIST OF APPENDICES

Appendix I	Statement of Qualifications	/
Appendix II	Cost Statement	/

1.0

INTRODUCTION

The Fehr claims were staked on the basis of geochemical indications of gold associated with anomalous quantities of arsenic and antimony in heavy mineral concentrates collected from stream sediments. This report describes the first stage prospecting directed at locating the source of gold found in heavy minerals.

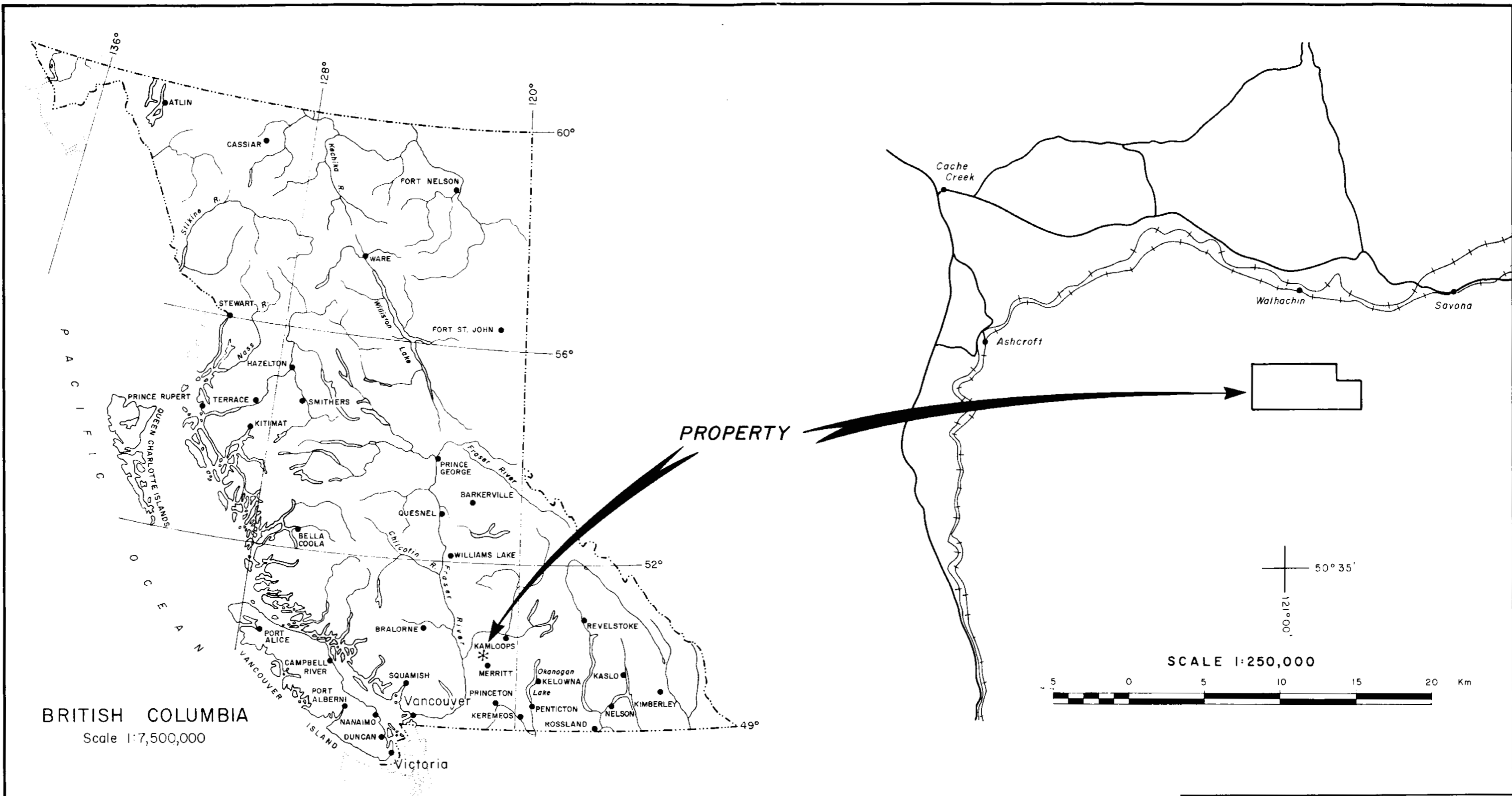
2.0

LOCATION, ACCESS AND TOPOGRAPHY

The claims lie in south central British Columbia, south of the Thompson River, 11km south-west of Savona and 7km south of Walhachin.

Access is by logging road from Savona.

The claims are situated on the north flank of Mount Fehr. Relief is 650m with higher elevations at 1525m (5,000 feet). Much of the claims have recently been logged; elsewhere they are covered by moderate to light growth of timber with scattered clearings used for grazing.



GOLDQUEST I PARTNERSHIP			
FEHR CLAIMS			
LOCATION MAP			
PLAN NO 485	DRAWN	DATE AUG. 83	FIGURE 1
Revised		N.T.S. 92 I / 10, 11	
MINEQUEST EXPLORATION ASSOCIATES LTD.			

3.0 OWNERSHIP AND CLAIM STATUS

The claims listed below are held by MineQuest Exploration Associates Limited on behalf of GoldQuest I, a General Limited Partnership.

TABLE I  
CLAIM STATUS

<u>Claim Name</u>	<u>Record Number</u>	<u>No. of Units</u>	<u>Due date before submission of this report</u>
Fehr I	4101	16	July 06, 1984
Fehr II	4102	16	July 06, 1984
Fehr III	4103	16	July 06, 1984
Fehr IV	4394	18	March 31, 1985
Fehr V	4395	16	March 31, 1985

4.0 HISTORY AND PREVIOUS WORK

A detailed silt and reconnaissance soil sampling program was carried out in June and July of 1983 and is the subject of a previous assessment report by R.V. Longe of MineQuest Exploration Associates Ltd.

No other work has been reported on the ground now covered by the Fehr claims.

5.0 WORK CARRIED OUT IN 1983

5.1 Prospecting

D. Moraal and assistant spent four days prospecting on the Fehr claims. Overburden is thick and outcrop is sparse.

6.0 GEOLOGY

The claim area was mapped by Cockfield, (1948). The claims lie astride an east-west boundary between Traissic Nicola Group andesite, basalts and associated volcanoclastics with overlying Tertiary Kamloops Group basalt flows. A Granitic Coast Intrusion is present at the northwest corner of the claims.



7.0

RESULTS

7.1 Prospector's Report

Four days were spent on the Fehr claim group, trying to locate the sources of anomalous gold, arsenic and antimony values in silt samples.

The prospectors commuted between Kamloops and the work area, since the roads are in excellent condition, and access to the creeks is good.

This group of claims is extensively covered by overburden of rounded glacially-transported material and has a lush growth of shrub in the old logged-off areas. The roads marked on the 1:50,000 NTS map are not always passable, and in some instances, do not exist.

Outcrops found were either in creek banks, or on top of small knolls and heights of land.

Rock types found were:

- Basalts, dark or reddish amygdaloidal lavas and black basalts.
- Conglomerates, well rounded heterogeneous pebbles and cobbles in a hard often purplish or greenish matrix.
- Andesitic rocks, which may be andesites, andesitic tuff like rocks, or in places a rhyolitic rock. One exception, a clayey tuff found on the contour soil line has been lumped in this group.
- A "salt 'n' pepper" dioritic rock that the writer is calling a diorite plug.
- A carbonatized tuffaceous rock found with conglomerate along the road just off the claims.

The creeks at the headwaters of Jimmies Creek (illustrated in Figure 2) were given most attention, since they carry anomalous antimony and arsenic. Both creeks have small exposures of an amygdaloidal andesitic rock that may contain zeolites. One specimen has a white filling that reacts to HCL, and in the adjacent creek, vesicles contain a druse of long needle-like brown crystals that are coated with a white substance that reacts poorly to HCL. Other inclusions are a green (probably epidote) and a red mineral that may be similar to heulandite.

The antimony and arsenic appear to be stronger in areas where the andesites described above are located. No mineralization (metallic) was found, but since the overburden is so extensive, it is probable that the source was not discovered.

The creek flowing north of the north boundary of FEHR IV is entirely covered by overburden, and in places the stream runs underground. No source for the 10ppm lead was found.

The two creeks with headwaters on FEHR III also show a minimum of outcrop, usually andesitic in nature.

The creek draining FEHR II had some high gold values, but the only outcrop near it was a small one of diorite rock. The stream goes underground here and reappears to the southeast as a long swampy trickle. The prospector feels that since the gold anomalies do not coincide with As or Sb, the gold was glacially transported.

Along the contour soil line, there was very little rock exposure and what there was did not coincide with soil anomalies.

The writer feels that the area of interest is covered nicely by Fehr-I and may possibly extend a unit length into Fehr-II.

No areas of silicification or propylitization were found, though the rock around silt sample GQT-1349 contains some epidote inclusion.

Carbonatization was only encountered in rocks along the access road north of the claim group.

8.0

CONCLUSIONS

Prospecting in conjunction with previous silt and soil geochemistry (see previous assessments report) indicates that interest be focused on the source area of Jimmies Creek on the Fehr I claim. The rocks are andesitic tuffs, flows and minor rhyolite. Rock sampling and geologic mapping are necessary to further assess the quality of the Fehr property.

9.0

REFERENCES

Cockfield, W.E., 1948  
Geology and Mineral Deposits of Nicola Map-area  
GSC Memoir 249

Longe, R.V., August 1983  
Fehr Claims, Geochemistry  
Assessment Report for MineQuest Exploration  
Associates Ltd.

APPENDIX I  
Statement of Qualifications

STATEMENT OF QUALIFICATIONS

I, Susanne L. Ridley, hereby certify that:

1. I am presently employed by MineQuest Exploration Associates Limited as a Geologist.
2. I am a graduate of the University of Western Ontario (B.Sc. Honours, Geology, 1983).
3. I have completed three field seasons in mineral exploration in western and northern Canada
4. The information, opinions and recommendations in this report are based on information acquired from reports, maps and data lists on file at MineQuest and from personal communication with project supervisors.

Signed:

  
Susanne L. Ridley

Dated at Vancouver, B.C. this 20th day of  
April, 1984

APPENDIX II  
Cost Statement



COST STATEMENT - FEHR CLAIMS  
UP TO DECEMBER 31, 1983

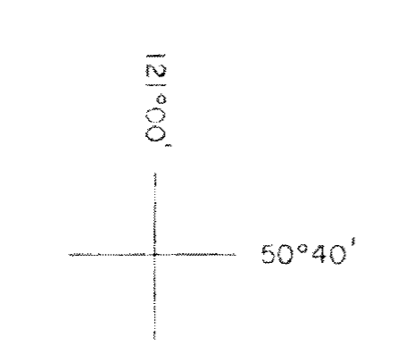
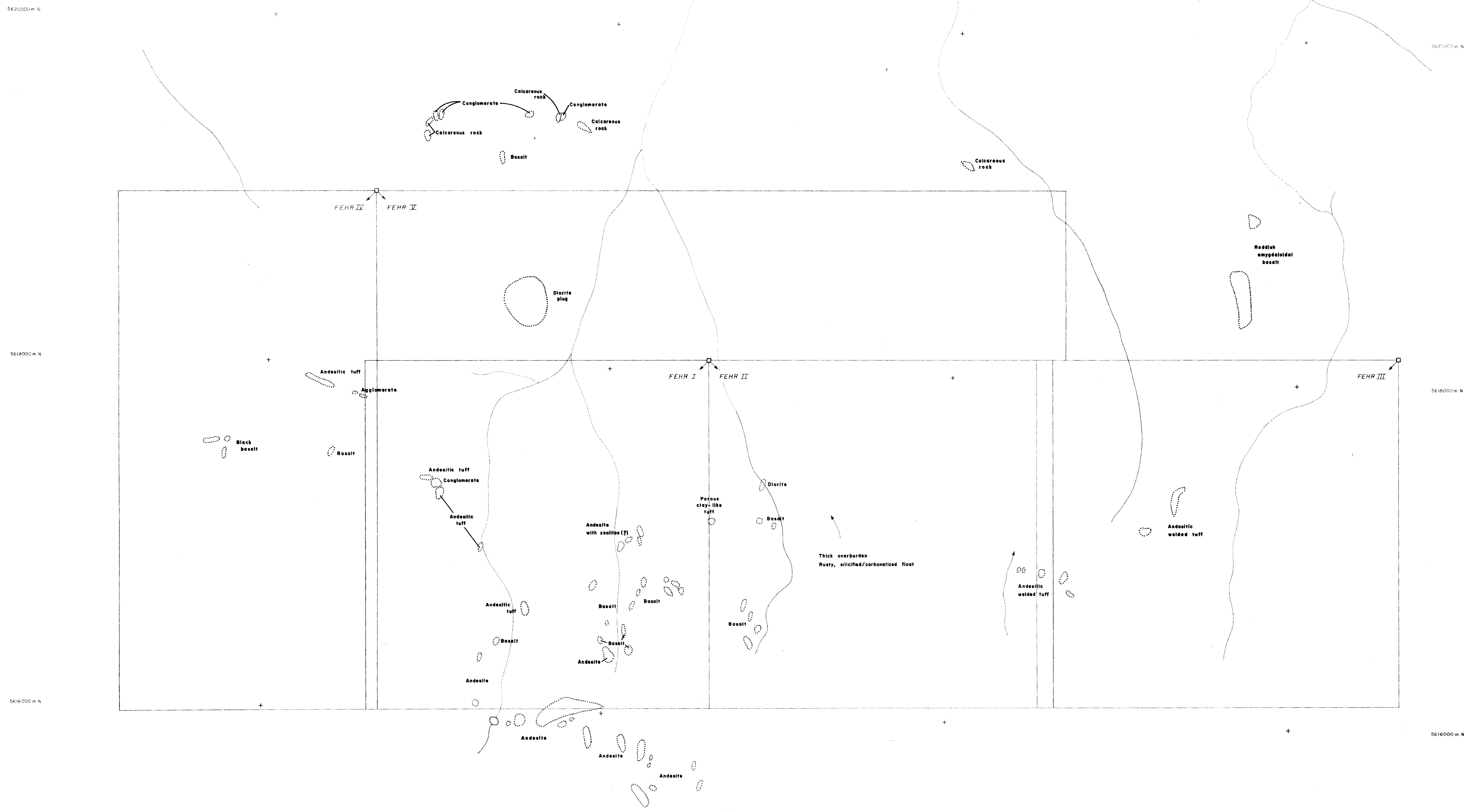
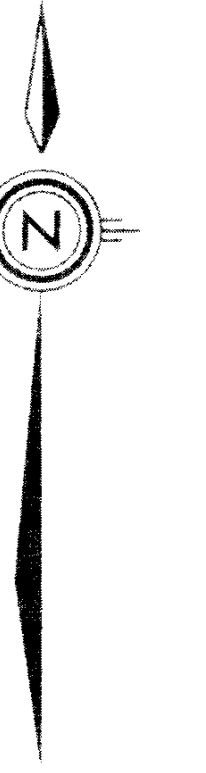
	<u>Fehr</u>	<u>Regional Distributable Camp Costs*</u>
Contract Staff (Schedule I)	\$ 700.00	\$ 200.00
Air Fares		1,357.80
Rental Vehicle - Casual	64.06	371.49
Rental Vehicle - Term		7,451.64
MQ Rental Vehicle Charges		1,253.29
Taxis, Parking		174.40
Meals, Accommodation		2,412.16
Freight		1,370.70
MQ Equipment Charges - Field		2,057.00
Equipment Rentals		324.48
Fuels & Lubricants - Vehicle		2,873.77
Vehicle Repair & Maintenance		852.01
Groceries, Kitchen Supplies		966.16
Food & Accommodation - In Field		11,787.49
General Supplies		1,576.37
Telephone, Telex		689.48
Courier, Postage, Air Express	18.30	315.10
Reprographics		322.60
Xerox - In House	21.75	20.15
Maps, Reports, Publications		195.65
Other		165.78
Drafting	367.50	
Drafting Supplies	428.14	
Computer Services	187.60	
Disbursements Over-Ride	178.73	3,677.75
	<hr/>	<hr/>
TOTAL	<u>\$1,966.04</u>	<u>\$ 40,415.27</u>

\*Note: Regional costs distributed according to man days spent on claims. 10.58% of total (above) allocated to Fehr claim group.  
Total \$ applied to Fehr = \$5,283.71

SCHEDULE I

Contract Staff:

Dirk Moraal	July 17-20 4 days at \$100.00	\$ 400.00
Wayne Wonnenberg	July 17-20 4 days at \$75.00	300.00
		<hr/>
		\$ 700.00
		<hr/> <hr/>



Prospecting by D. Morca, July 1983.  
**GEOLOGICAL BRANCH  
ASSESSMENT REPORT**

# 12,347

SCALE 1:10,000  
0 100 200 300 400 500 600 700 800 900 1000

GOLDQUEST I PARTNERSHIP			
FEHR CLAIMS			
<b>PROSPECTING</b>			
PLAN No. 590	DRAWN	DATE	FIGURE <b>2</b>
REVISED		N.T.S. 921/10	
MINEQUEST EXPLORATION ASSOCIATES LTD.			