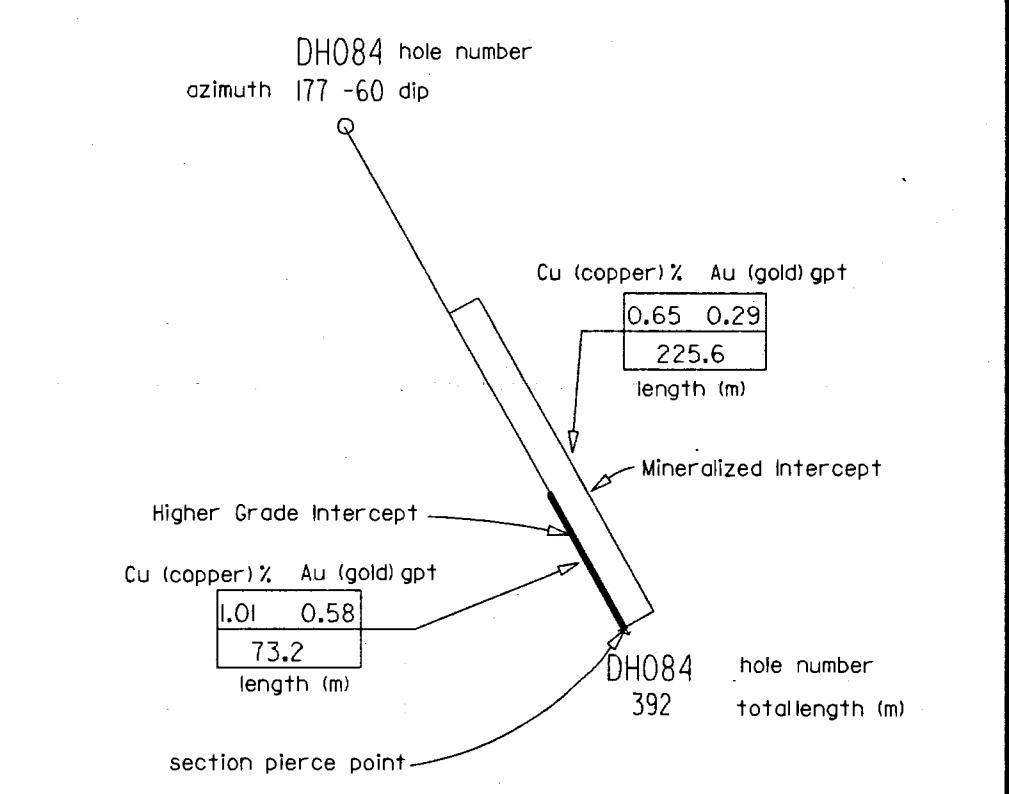


**LEGEND**

- MIDDLE JURASSIC**  
 Bowser Lake Group  
 mJA Ashman Formation (SST) - siltstone, sandstone, conglomerate
- EARLY JURASSIC**  
 Red Stock  
 DIYE Undivided late-stage dyke  
 DLAT Leucocratic aphanitic dyke  
 DAND Melanocratic aphanitic dyke  
 DMAF Pyroxene-biotite porphyry dyke  
 DOCA Quartz-carbonate amygdaloidal dyke  
 DPFH Feldspar-hornblende-biotite porphyry dyke  
 PBRX Intrusive Breccia - Undivided Intrusive breccia  
 PBRU Intrusive Breccia - Late Phase fragments and matrix  
 PPHL Late Phase - Plagioclase-hornblende porphyry monzodiorite  
 PBRM Intrusive Breccia - Main Phase fragments and matrix  
 PPH2 Main Phase Type 2 - Main Phase monzodiorite dyke  
 PPHM Main Phase - Plagioclase-hornblende porphyry monzodiorite
- MIDDLE TO UPPER TRIASSIC**  
 Stuhini Group or Equivalent  
 mu1vs Volcanic sandstone, siltstone (VSED)  
 mu1va Dynamite Hill Volcanics (VOLCI) - augite phyrlic volcanic flow
- SYMBOLS**  
 Geologic Contact  
 Fault  
 Fault Breccia Zone
- SECTION ORIENTATION**  
 Looking EAST 090°
- QUARTZ STOCKWORK ZONES**  
 T = Trace  
 V = Very Weak  
 W = Weak  
 M = Medium  
 S = Strong  
 I = Intense



**24453**

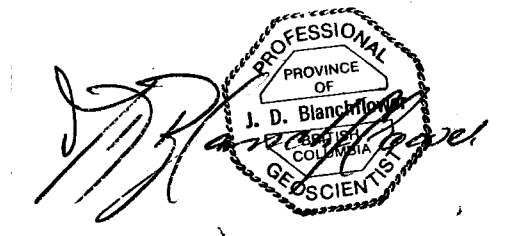
Scale 1:2000  
 0 100 200 m

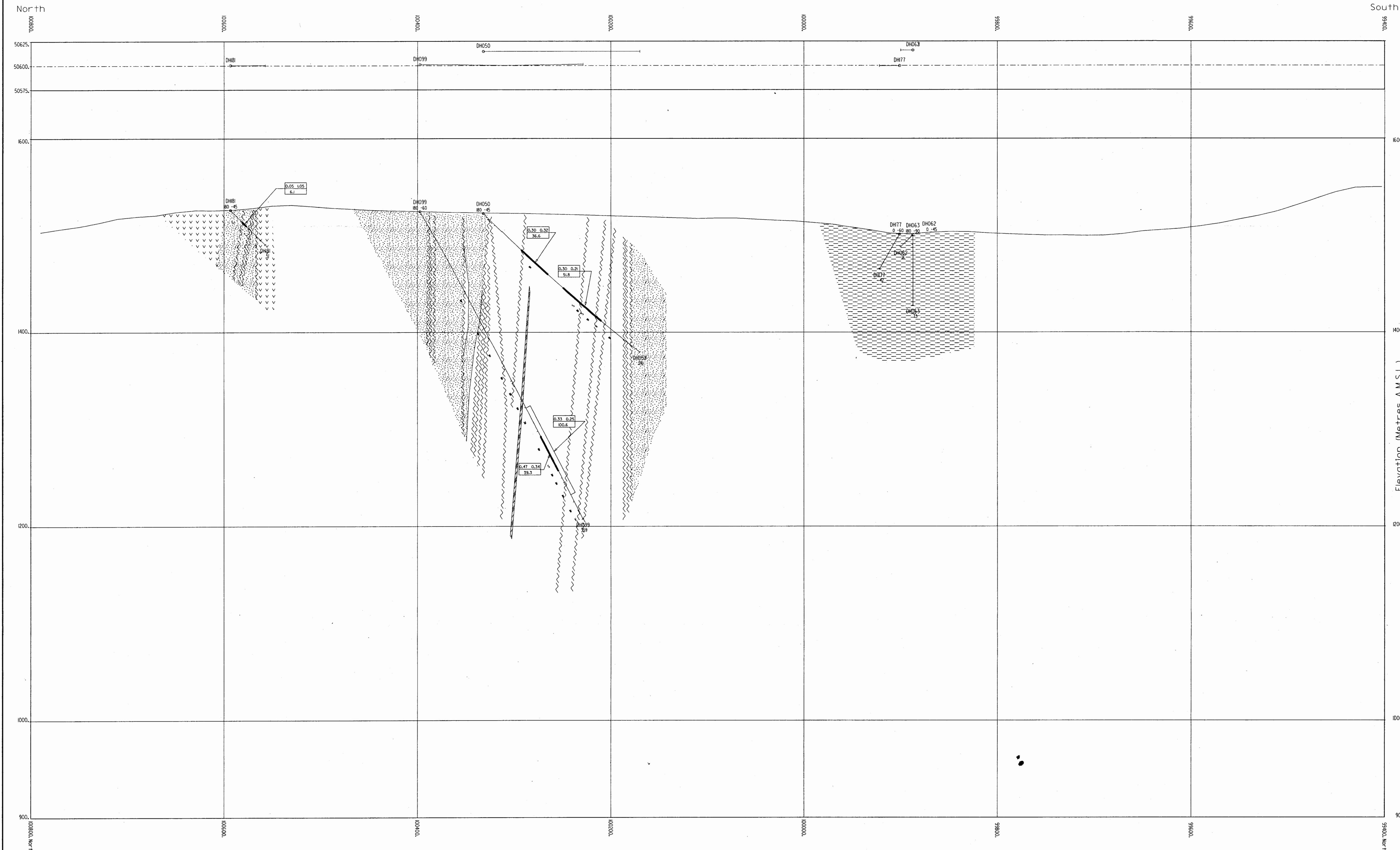
MINOREX CONSULTING LTD.  
 GEOLOGICAL CONSULTANTS, DELTA, BRITISH COLUMBIA

AMERICAN BULLION MINERALS LTD.  
 VANCOUVER, BRITISH COLUMBIA

**DRILL SECTION**  
 50550 E  
 RED-CHRIS PROPERTY  
 LIARD MINING DIVISION, BRITISH COLUMBIA, CANADA

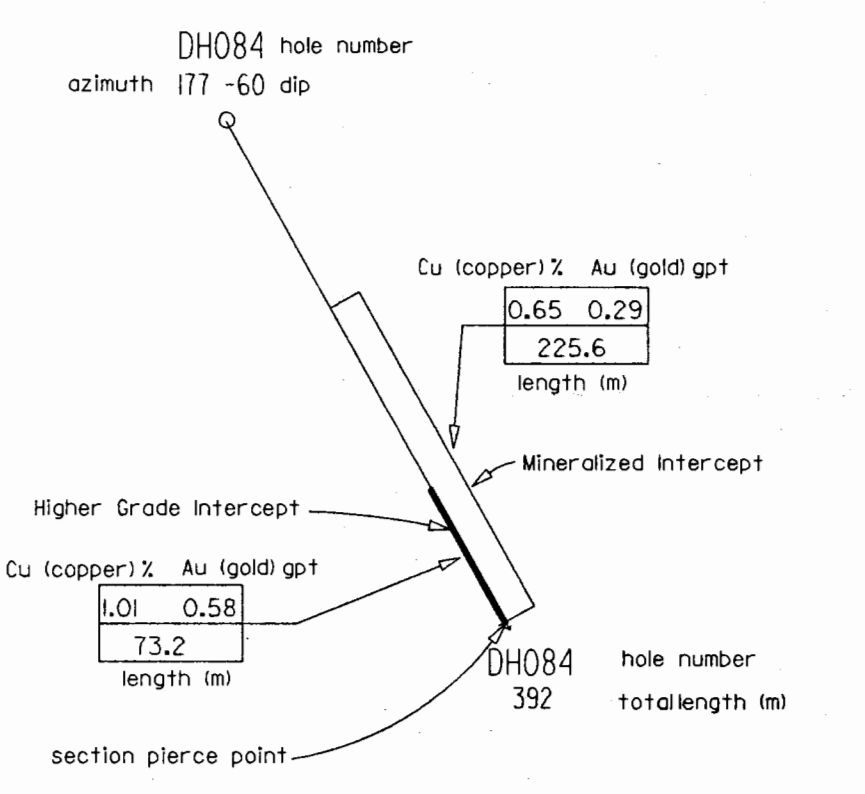
Date: April, 1996 Scale: 1:2000 Fig: 58  
 Drawn By: JDB/RWM File:



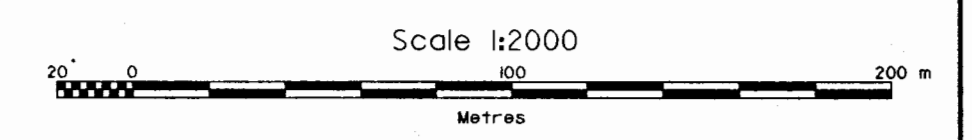


**LEGEND**

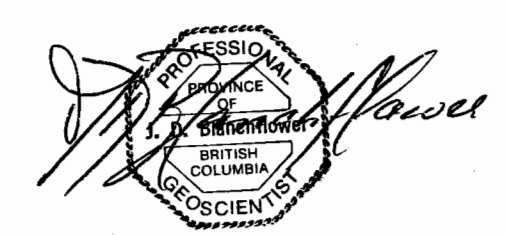
- MIDDLE JURASSIC**  
Bowser Lake Group
- mJA Ashman Formation (SLST) - siltstone, sandstone, conglomerate
- EARLY JURASSIC**  
Red Stock
- DYKE Undivided late-stage dyke
  - DLAT Leucocratic aphanitic dyke
  - DAND Melanocratic aphanitic dyke
  - DMAF Pyroxene-biotite porphyry dyke
  - DOCA Quartz-carbonate amygdaloidal dyke
  - DPFH Feldspar-hornblende-biotite porphyry dyke
  - PBRX Intrusive Breccia - Undivided Intrusive breccia
  - PBRL Intrusive Breccia - Late Phase fragments and matrix
  - PPHL Late Phase - Plagioclase-hornblende porphyry monzodiorite
  - PBRM Intrusive Breccia - Main Phase fragments and matrix
  - PPH2 Main Phase Type 2 - Main Phase monzodiorite dyke
  - PPHM Main Phase - Plagioclase-hornblende porphyry monzodiorite
- MIDDLE TO UPPER TRIASSIC**  
Stuhini Group or Equivalent
- muTvs Volcanic sandstone, siltstone (VSED)
  - muTva Dynamite Hill Volcanics (VLD) - augite phyrlic volcanic flow
- SYMBOLS**
- Geologic Contact
  - Fault
  - Fault Breccia Zone
- SECTION ORIENTATION**  
Looking EAST 090°
- QUARTZ STOCKWORK ZONES**
- T = Trace
  - V = Very Weak
  - W = Weak
  - M = Medium
  - S = Strong
  - I = Intense



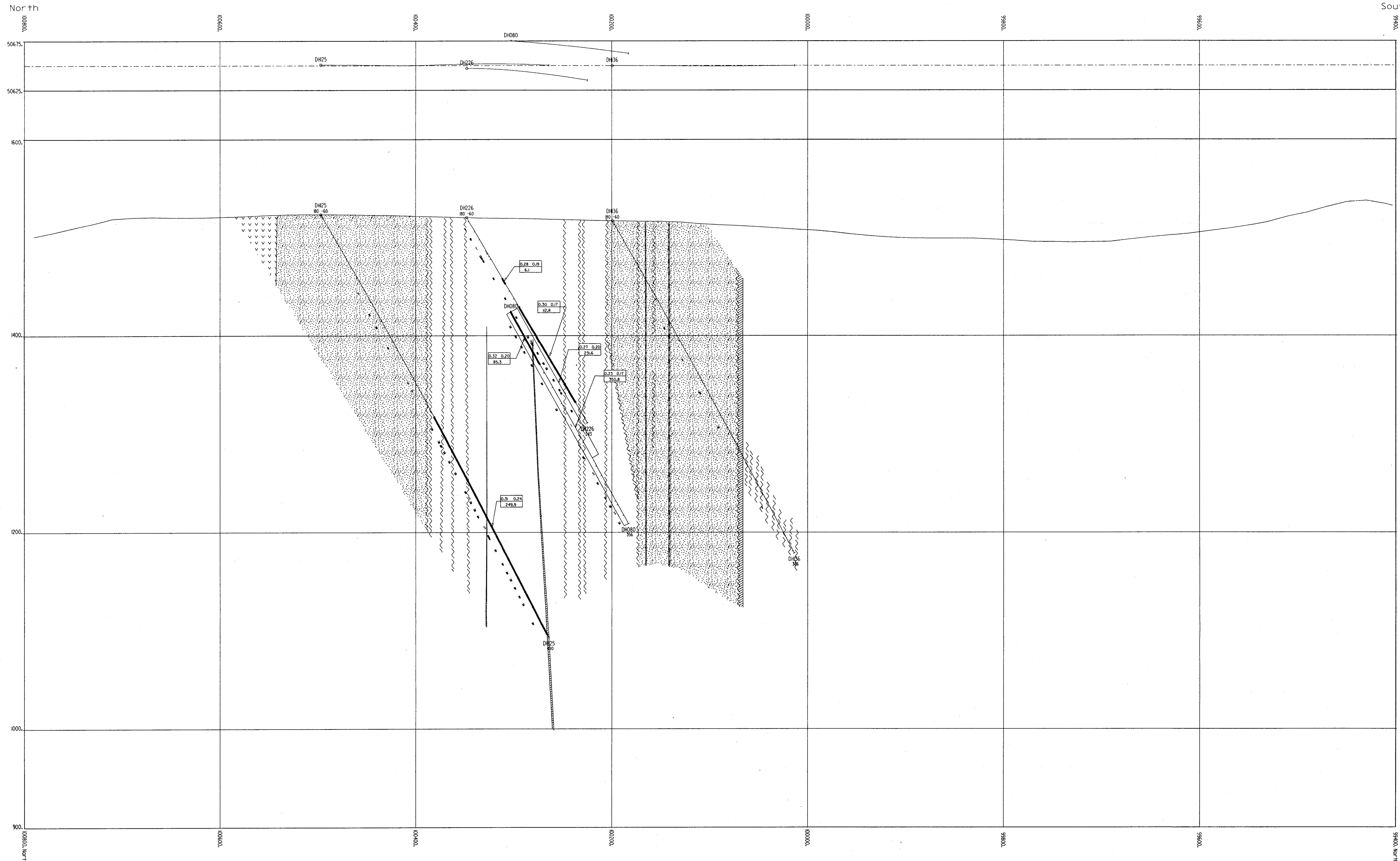
**24453**



MINOREX CONSULTING LTD. GEOLOGICAL CONSULTANTS, DELTA, BRITISH COLUMBIA		
AMERICAN BULLION MINERALS LTD. VANCOUVER, BRITISH COLUMBIA		
<b>DRILL SECTION</b> 50600 E RED-CHRIS PROPERTY LIARD MINING DIVISION, BRITISH COLUMBIA, CANADA		
Date: April, 1996	Scale: 1:2000	Fig: 59
Drawn By: JDB/RWM	Files:	



To Accompany Report By J.D. Blanchflower, P. Geo.



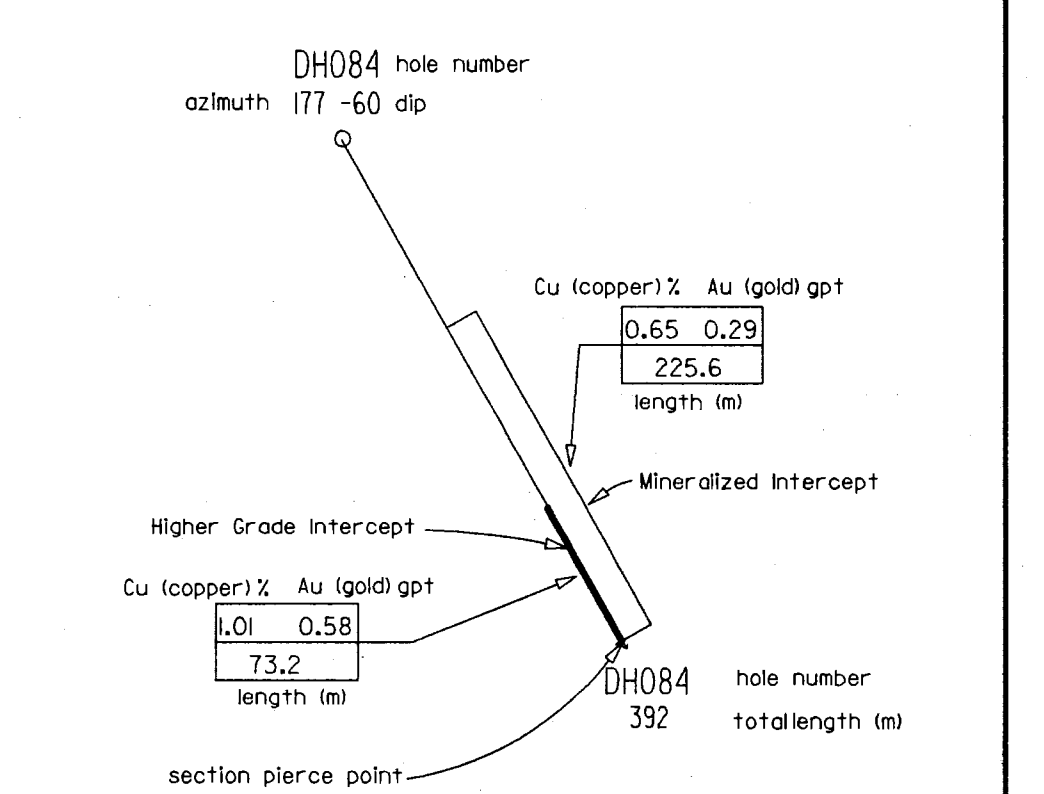
LEGEND

- MIDDLE JURASSIC  
Bowser Lake Group
- mJA Ashman Formation (SLST) - siltstone, sandstone, conglomerate
- EARLY JURASSIC  
Red Stock
- DYKE Undivided late-stage dyke
  - DLAT Leucocratic aphanitic dyke
  - DAND Melanocratic aphanitic dyke
  - DMAF Pyroxene-biotite porphyry dyke
  - DOCA Quartz-carbonate amygdaloidal dyke
  - DFH Feldspar-hornblende-biotite porphyry dyke
  - PBRX Intrusive Breccia - Undivided intrusive breccia
  - PBRL Intrusive Breccia - Late Phase fragments and matrix
  - PPHL Late Phase - Plagioclase-hornblende porphyry monzodiorite
  - PBRM Intrusive Breccia - Main Phase fragments and matrix
  - PPH2 Main Phase Type 2 - Main Phase monzodiorite dyke
  - PPHM Main Phase - Plagioclase-hornblende porphyry monzodiorite

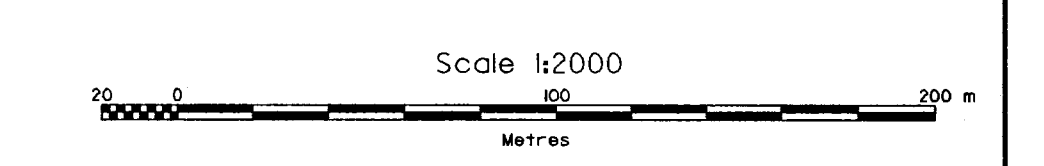
- MIDDLE TO UPPER TRIASSIC  
Stuhini Group or Equivalent
- muTvs Volcanic sandstone, siltstone (VSED)
  - muTva Dynamite Hill Volcanics (VOLC) - augite phytic volcanic flow

- SYMBOLS
- Geologic Contact
  - Fault
  - Fault Breccia Zone

- QUARTZ STOCKWORK ZONES
- T = Trace
  - V = Very Weak
  - W = Weak
  - M = Medium
  - S = Strong
  - I = Intense



24453



MINOREX CONSULTING LTD.  
GEOLOGICAL CONSULTANTS, DELTA, BRITISH COLUMBIA

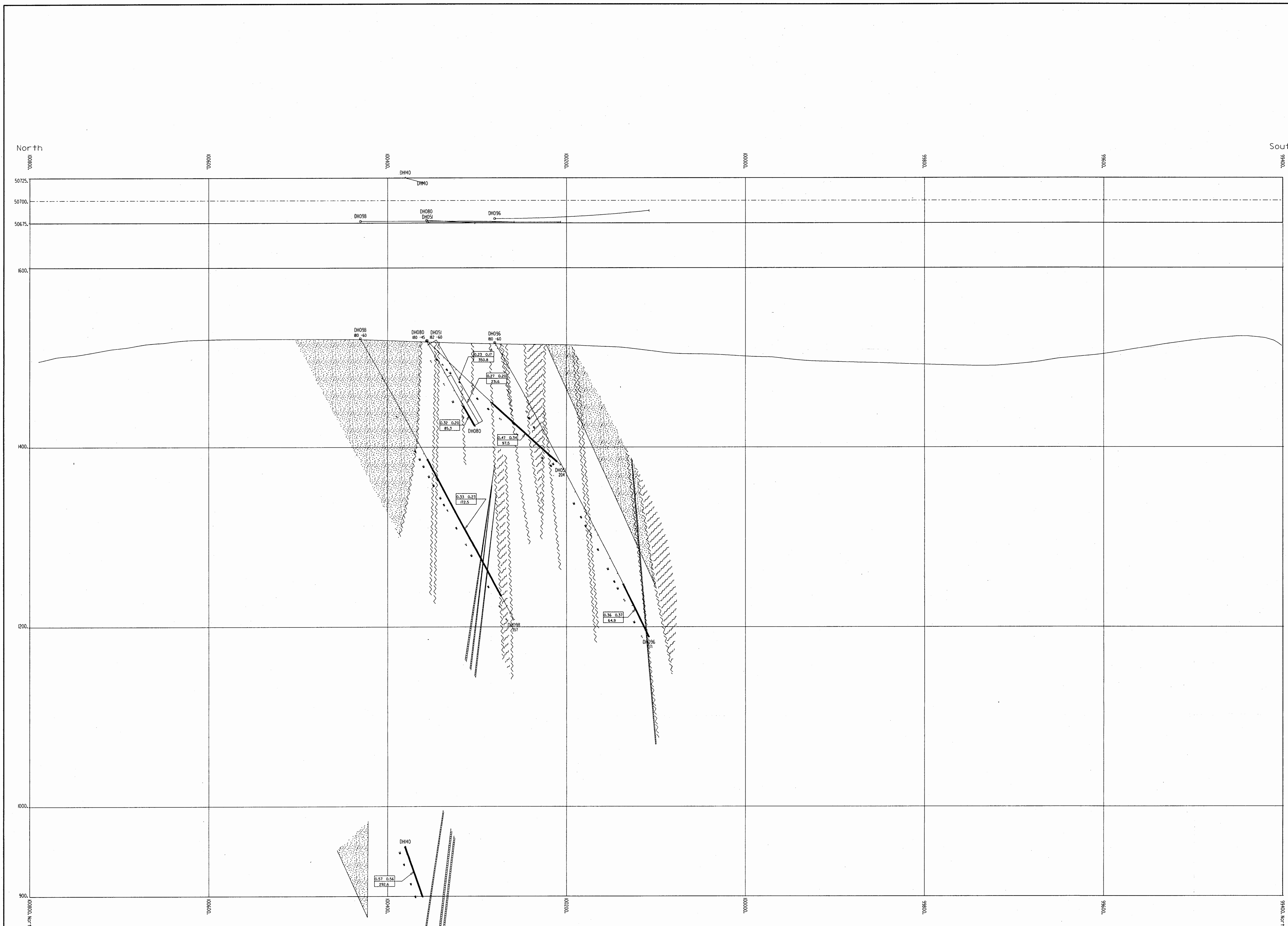
AMERICAN BULLION MINERALS LTD.  
VANCOUVER, BRITISH COLUMBIA

DRILL SECTION  
50650 E  
RED-CHRIS PROPERTY  
LIARD MINING DIVISION, BRITISH COLUMBIA, CANADA

Date: April, 1996      Scale: 1:2000      Fig: 60  
Drawn By: JDB/RWM      File:

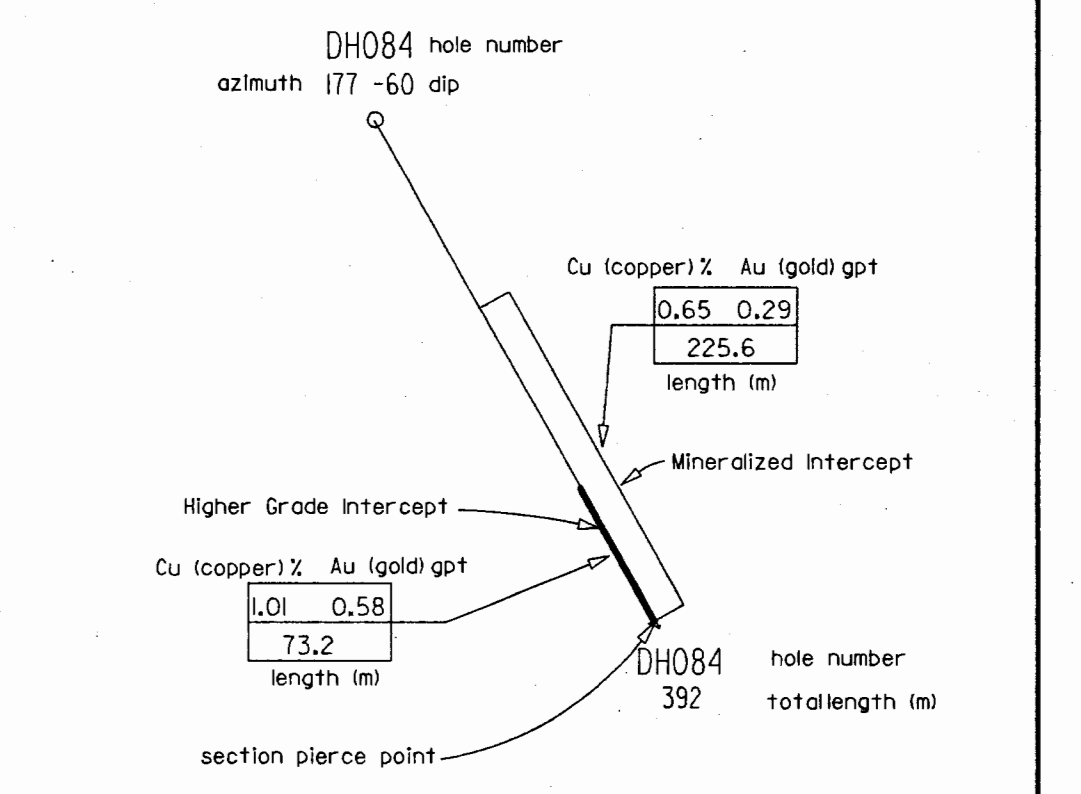
To Accompany Report By J.D. Blanchflower, P.Geo.



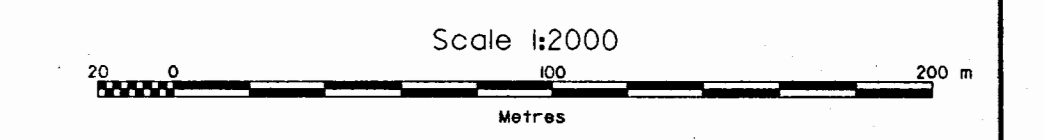


**LEGEND**

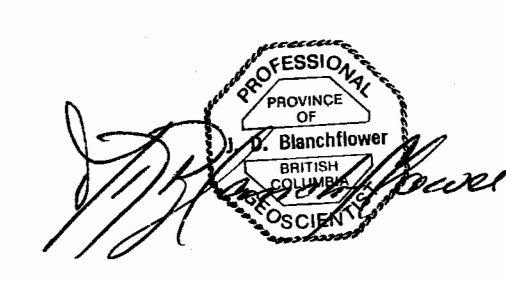
- MIDDLE JURASSIC**  
Bowser Lake Group
- mJA Ashman Formation (SLST) - siltstone, sandstone, conglomerate
- EARLY JURASSIC**  
Red Stock
- DYKE Undivided late-stage dyke
  - DLAT Leucocratic aphanitic dyke
  - DAND Melanocratic aphanitic dyke
  - DMAF Pyroxene-biotite porphyry dyke
  - DOCA Quartz-carbonate amygdaloidal dyke
  - DPFH Feldspar-hornblende-biotite porphyry dyke
  - PBRX Intrusive Breccia - Undivided Intrusive breccia
  - PBRL Intrusive Breccia - Late Phase fragments and matrix
  - PPHL Late Phase - Plagioclase-hornblende porphyry monzodiorite
  - PBRM Intrusive Breccia - Main Phase fragments and matrix
  - PPHZ Main Phase Type 2 - Main Phase monzodiorite dyke
  - PPHM Main Phase - Plagioclase-hornblende porphyry monzodiorite
- MIDDLE TO UPPER TRIASSIC**  
Stuhini Group or Equivalent
- muTvs Volcanic sandstone, siltstone (VSED)
  - muTvo Dynamite Hill Volcanics (VOLD) - augite phric volcanic flow
- SYMBOLS**
- Geologic Contact
  - Fault
  - Fault Breccia Zone
- SECTION ORIENTATION**  
Looking EAST 090°
- QUARTZ STOCKWORK ZONES**
- T = Trace
  - V = Very Weak
  - W = Weak
  - M = Medium
  - S = Strong
  - I = Intense



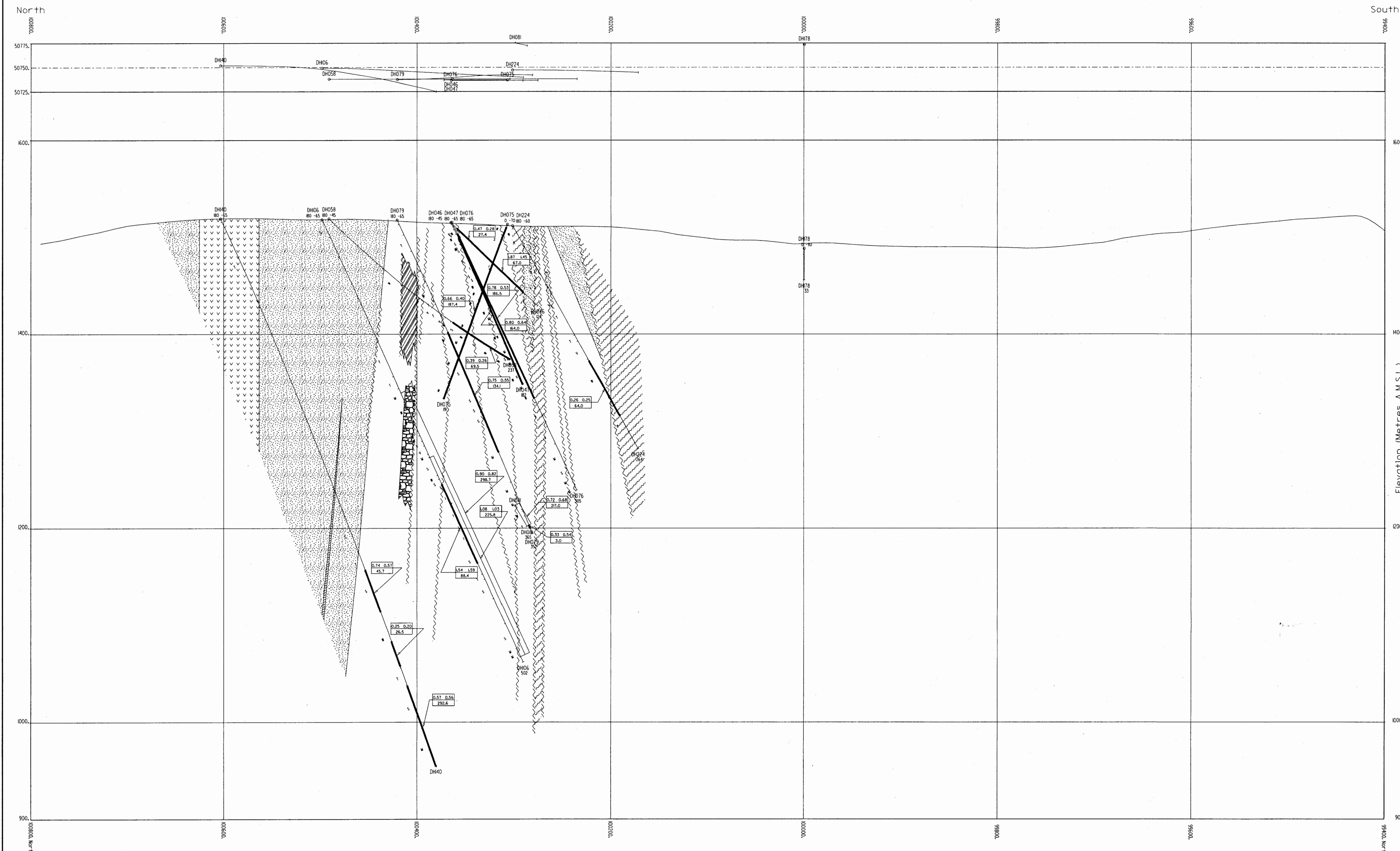
**24453**



MINOREX CONSULTING LTD. GEOLOGICAL CONSULTANTS, DELTA, BRITISH COLUMBIA		
AMERICAN BULLION MINERALS LTD. VANCOUVER, BRITISH COLUMBIA		
<b>DRILL SECTION</b> 50700 E RED-CHRIS PROPERTY LIARD MINING DIVISION, BRITISH COLUMBIA, CANADA		
Date: April, 1996	Scale: 1:2000	Fig: 61
Drawn By: JDB/RWM	File:	

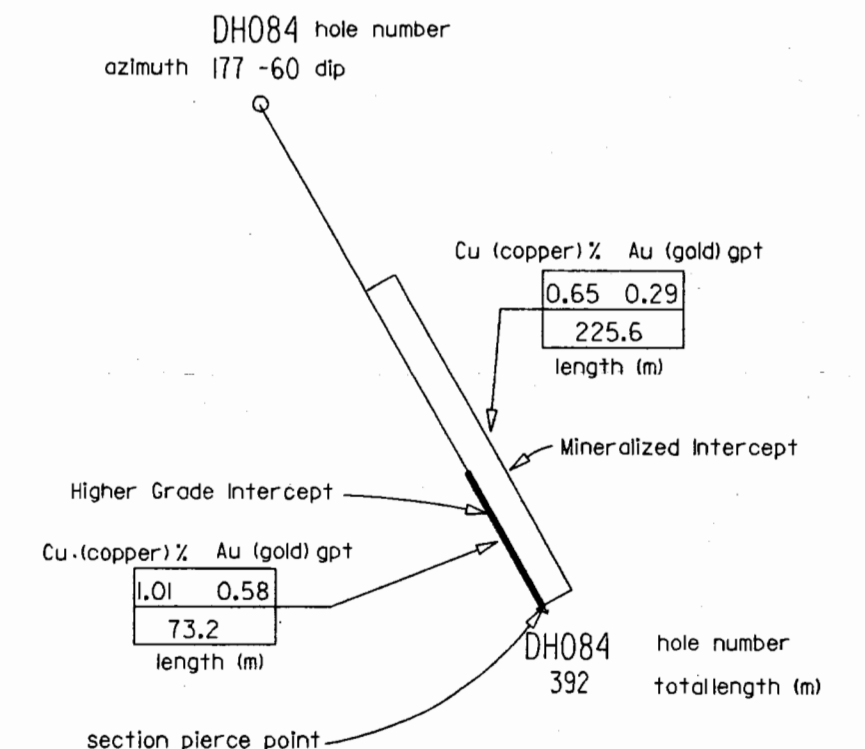


To accompany Report By J.D. Blanchflower, P. Geol.

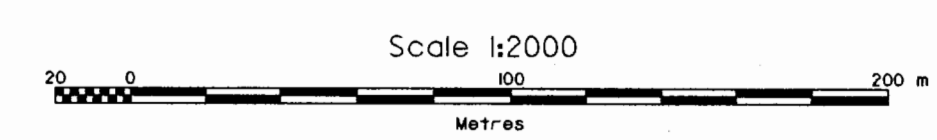


**LEGEND**

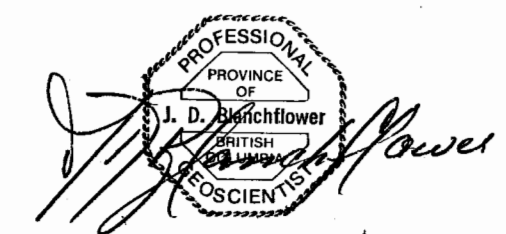
- MIDDLE JURASSIC**  
Bowser Lake Group
- mJA Ashman Formation (SLST) - siltstone, sandstone, conglomerate
- EARLY JURASSIC**  
Red Stock
- DYKE Undivided late-stage dyke
  - DLAT Leucocratic aphanitic dyke
  - DAND Melanocratic aphanitic dyke
  - DMAF Pyroxene-biotite porphyry dyke
  - DOCA Quartz-carbonate amygdaloidal dyke
  - DPFH Feldspar-hornblende-biotite porphyry dyke
  - PBRX Intrusive Breccia - Undivided Intrusive breccia
  - PBRM Intrusive Breccia - Late Phase fragments and matrix
  - PPHL Late Phase - Plagioclase-hornblende porphyry monzodiorite
  - PBRM Intrusive Breccia - Main Phase fragments and matrix
  - PPH2 Main Phase Type 2 - Main Phase monzodiorite dyke
  - PPHM Main Phase - Plagioclase-hornblende porphyry monzodiorite
- MIDDLE TO UPPER TRIASSIC**  
Stuhini Group or Equivalent
- mu1vs Volcanic sandstone, siltstone (VSED)
  - mu1va Dynamic Hill Volcanics (VQCI) - augite phyric volcanic flow
- SYMBOLS**
- Geologic Contact
  - Fault
  - Fault Breccia Zone
- SECTION ORIENTATION**  
Looking EAST 090°
- QUARTZ STOCKWORK ZONES**
- T = Trace
  - V = Very Weak
  - W = Weak
  - M = Medium
  - S = Strong
  - I = Intense



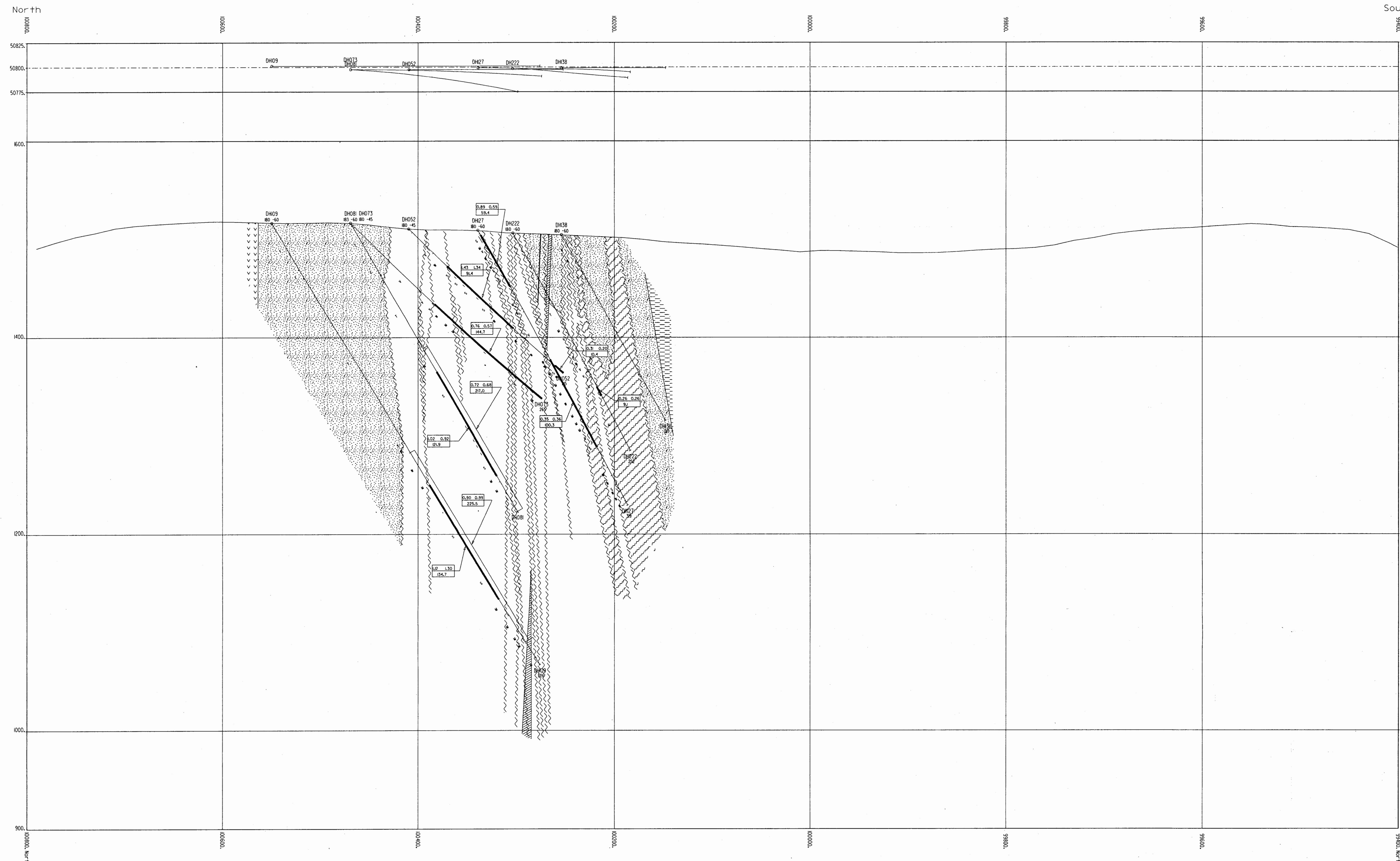
**24453**



MINOREX CONSULTING LTD. GEOLOGICAL CONSULTANTS, DELTA, BRITISH COLUMBIA		
AMERICAN BULLION MINERALS LTD. VANCOUVER, BRITISH COLUMBIA		
<b>DRILL SECTION</b> 50750 E RED-CHRIS PROPERTY LIARD MINING DIVISION, BRITISH COLUMBIA, CANADA		
Date: April, 1996	Scale: 1:2000	Fig: 62
Drawn By: JDB/RWM	File:	







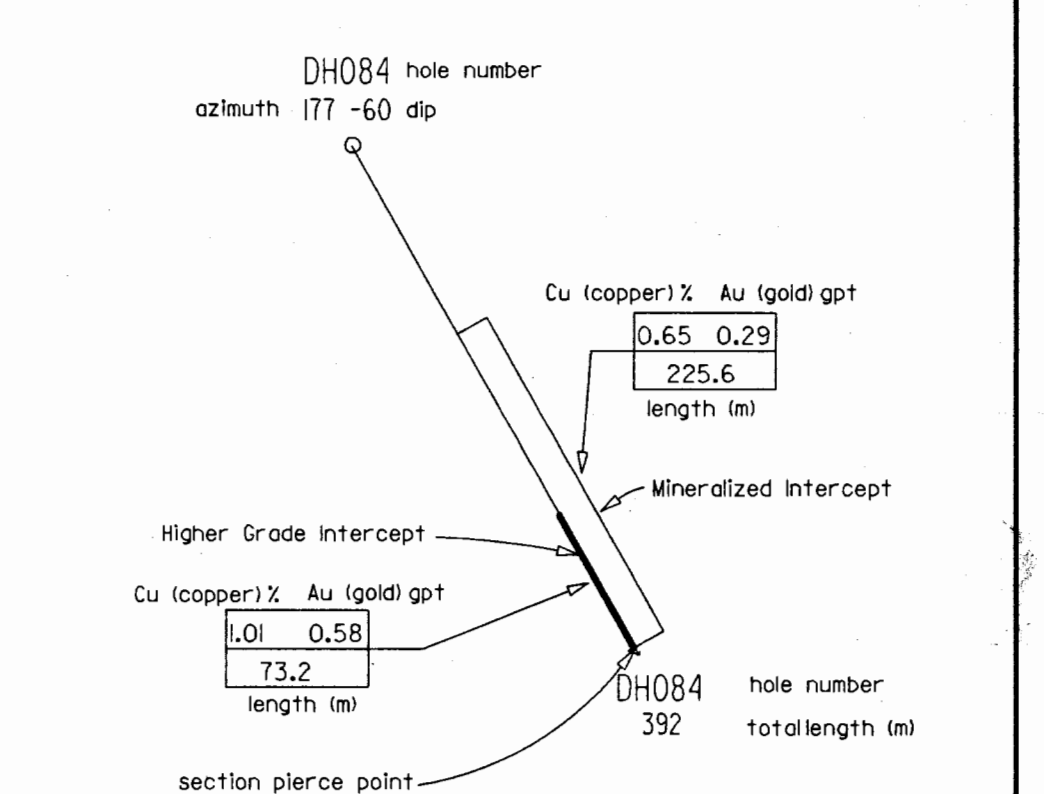
**LEGEND**

- MIDDLE JURASSIC**  
 Bowser Lake Group  
 mJA Ashmon Formation (SLST) - siltstone, sandstone, conglomerate
- EARLY JURASSIC**  
 Red Stock  
 DYKE Undivided late-stage dyke  
 DLAT Leucocratic aphanitic dyke  
 DMND Melanocratic aphanitic dyke  
 DMAP Pyroxene-biotite porphyry dyke  
 DOCA Quartz-carbonate amygdaloidal dyke  
 DPFH Feldspar-hornblende-biotite porphyry dyke  
 PBRX Intrusive Breccia - Undivided Intrusive breccia  
 PBRL Intrusive Breccia - Late Phase fragments and matrix  
 PPHL Late Phase - Plagioclase-hornblende porphyry monzodiorite  
 PBRM Intrusive Breccia - Main Phase fragments and matrix  
 PPHZ Main Phase Type 2 - Main Phase monzodiorite dyke  
 PPHM Main Phase - Plagioclase-hornblende porphyry monzodiorite

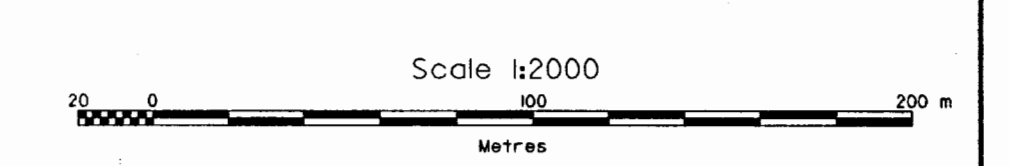
- MIDDLE TO UPPER TRIASSIC**  
 Stuhini Group or Equivalent  
 muVs Volcanic sandstone, siltstone (VSED)  
 muVa Dynamite Hill Volcanics (VDLC) - augite phyrlic volcanic flow

- SYMBOLS**  
 Geologic Contact  
 Fault  
 Fault Breccia Zone

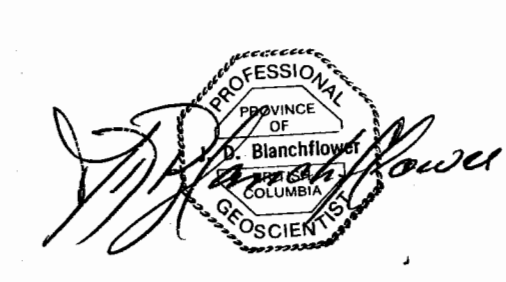
- QUARTZ STOCKWORK ZONES**  
 T = Trace  
 V = Very Weak  
 W = Weak  
 M = Medium  
 S = Strong  
 I = Intense

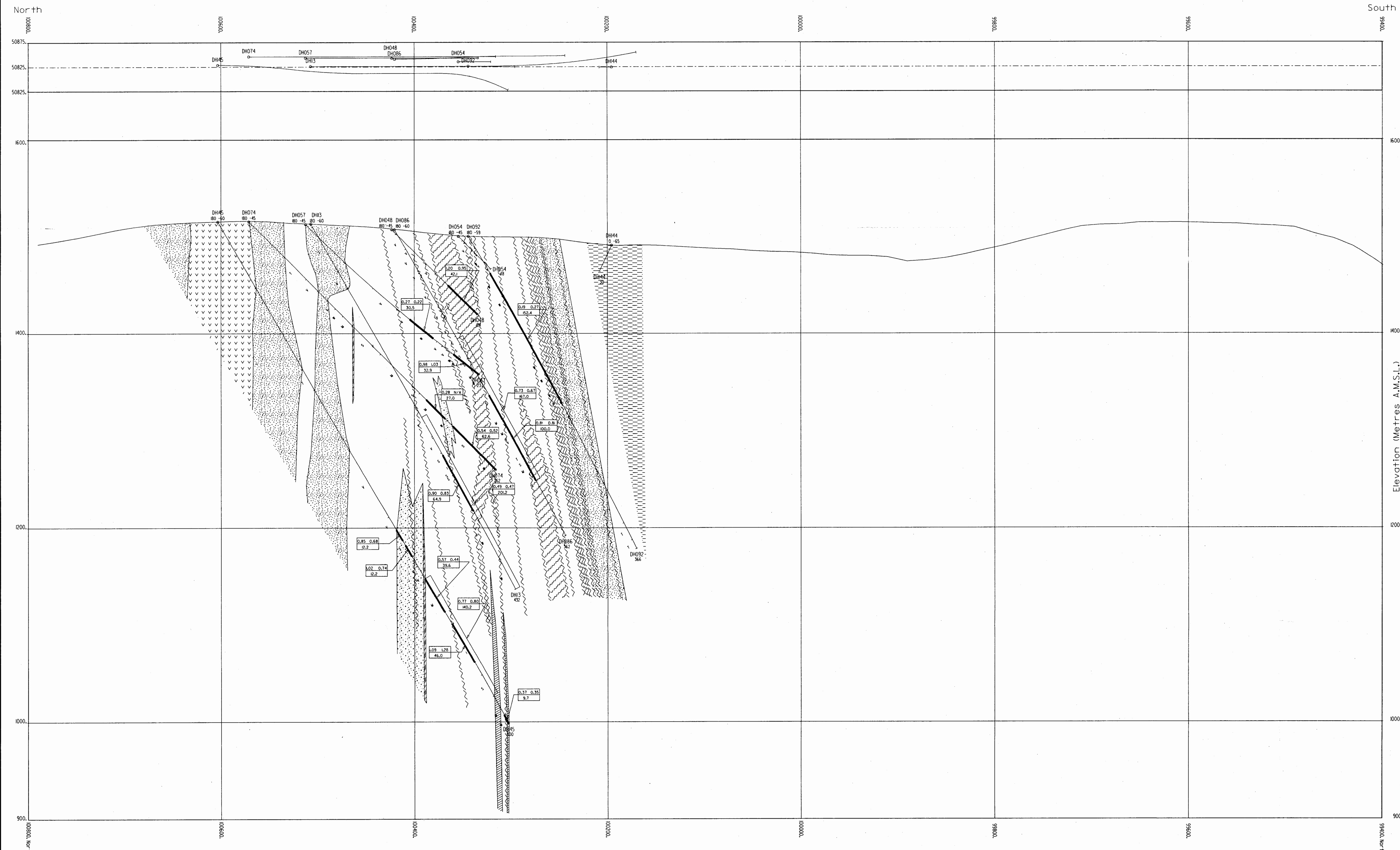


**24453**



MINOREX CONSULTING LTD. GEOLOGICAL CONSULTANTS, DELTA, BRITISH COLUMBIA		
AMERICAN BULLION MINERALS LTD. VANCOUVER, BRITISH COLUMBIA		
DRILL SECTION 50800 E RED-CHRIS PROPERTY LIARD MINING DIVISION, BRITISH COLUMBIA, CANADA		
Date: April, 1996	Scale: 1:2000	Fig: 63
Drawn By: JDB/RMM	File:	





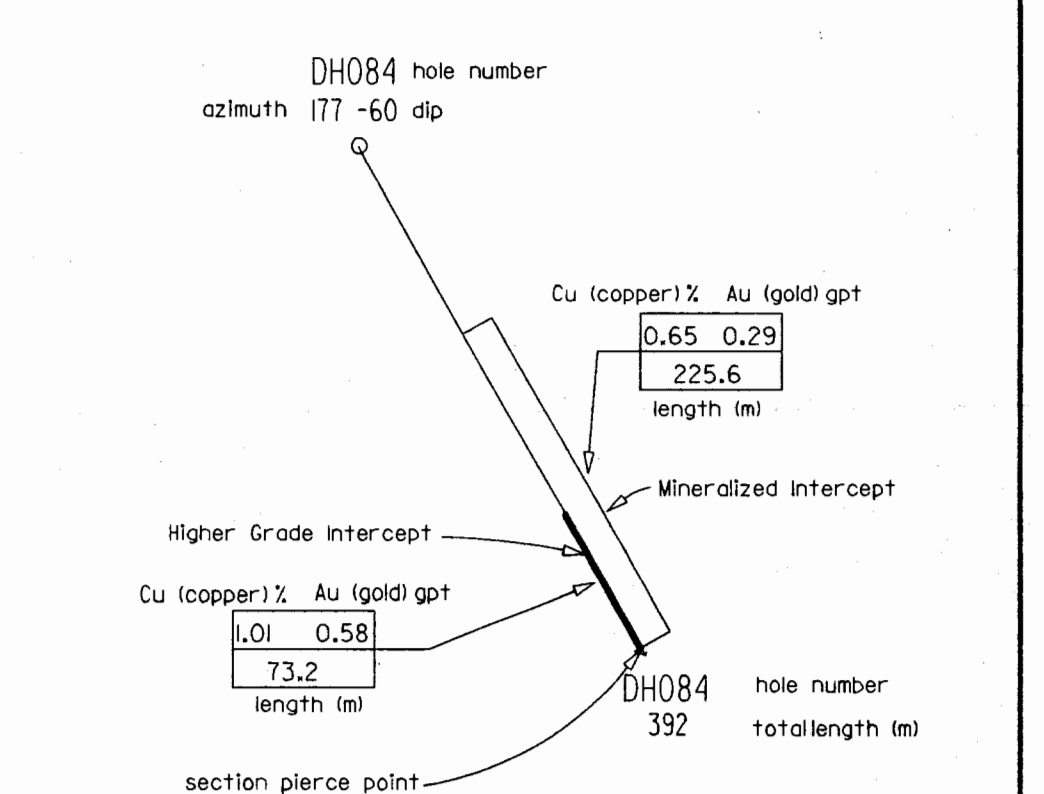
**LEGEND**

- MIDDLE JURASSIC**  
Bowser Lake Group
- mJA Ashman Formation (SLST) - siltstone, sandstone, conglomerate
- EARLY JURASSIC**  
Red Stock
- DYKE Undivided late-stage dyke
  - DLAT Leucocratic aphanitic dyke
  - DAND Melanocratic aphanitic dyke
  - DMAF Pyroxene-biotite porphyry dyke
  - DOCA Quartz-carbonate amygdaloidal dyke
  - DPFH Feldspar-hornblende-biotite porphyry dyke
  - PBRX Intrusive Breccia - Undivided intrusive breccia
  - PBRL Intrusive Breccia - Late Phase fragments and matrix
  - PPHL Late Phase - Plagioclase-hornblende porphyry monzodiorite
  - PBRM Intrusive Breccia - Main Phase fragments and matrix
  - PHI2 Main Phase Type 2 - Main Phase monzodiorite dyke
  - PPHM Main Phase - Plagioclase-hornblende porphyry monzodiorite

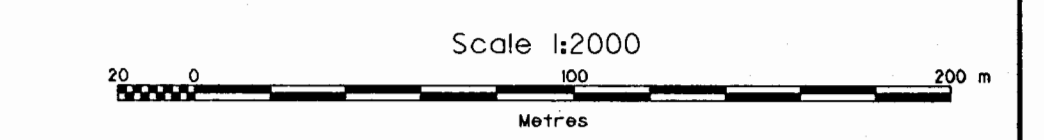
- MIDDLE TO UPPER TRIASSIC**  
Stuhini Group or Equivalent
- muTvs Volcanic sandstone, siltstone (VSED)
  - muTva Dynamite Hill Volcanics (VOLC) - augite phyrlic volcanic flow

- SYMBOLS**
- Geologic Contact
  - Fault
  - Fault Breccia Zone

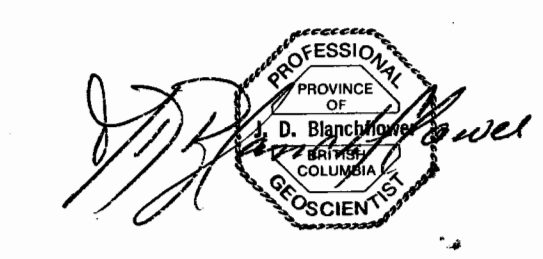
- QUARTZ STOCKWORK ZONES**
- T = Trace
  - V = Very Weak
  - W = Weak
  - M = Medium
  - S = Strong
  - I = Intense



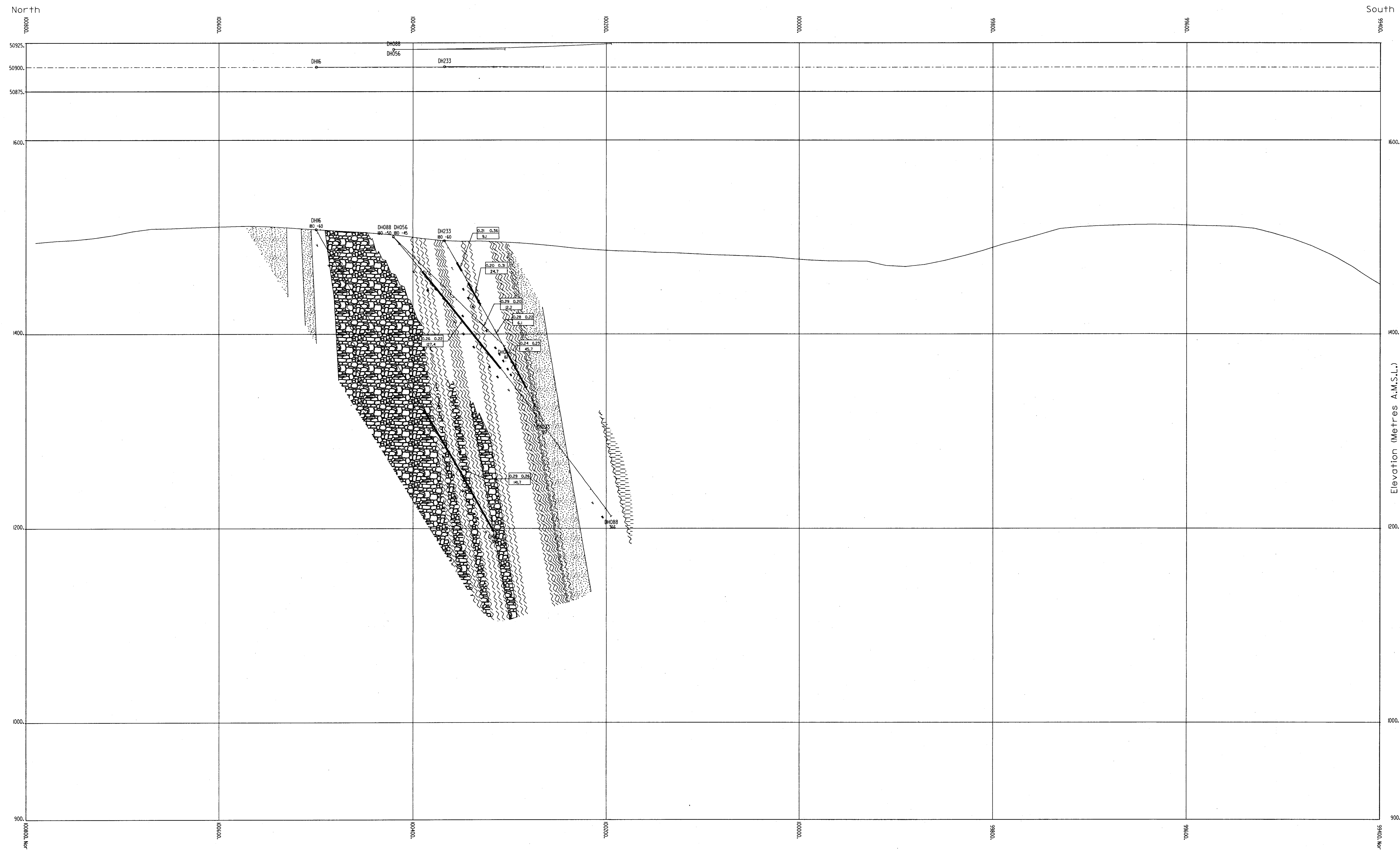
**24453**



MINOREX CONSULTING LTD. GEOLOGICAL CONSULTANTS, DELTA, BRITISH COLUMBIA		
AMERICAN BULLION MINERALS LTD. VANCOUVER, BRITISH COLUMBIA		
<b>DRILL SECTION</b> 50850 E RED-CHRIS PROPERTY LIARD MINING DIVISION, BRITISH COLUMBIA, CANADA		
Date: April, 1996	Scale: 1:2000	Fig: 64
Drawn By: JDB/RMM	Files:	



To Accompany Report By J.D. Blanchflower, P. Geo.



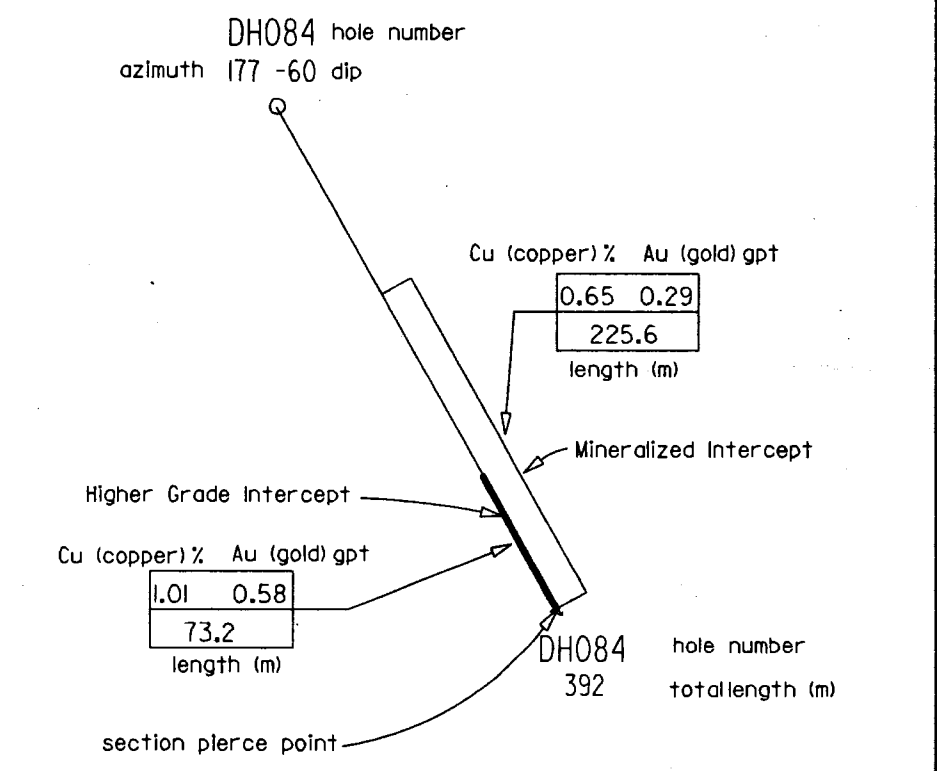
**LEGEND**

- MIDDLE JURASSIC**  
Bowser Lake Group
- mJA Ashman Formation (SLST) - siltstone, sandstone, conglomerate
- EARLY JURASSIC**  
Red Stock
- DYKE Undivided late-stage dyke
  - DLAT Leucocratic aphanitic dyke
  - DAND Melanocratic aphanitic dyke
  - DMAP Pyroxene-biotite porphyry dyke
  - DOCA Quartz-carbonate amygdaloidal dyke
  - DPFH Feldspar-hornblende-biotite porphyry dyke
  - PBRX Intrusive Breccia - Undivided Intrusive breccia
  - PBRM Intrusive Breccia - Late Phase fragments and matrix
  - PPHL Late Phase - Plagioclase-hornblende porphyry monzodiorite
  - PBRM Intrusive Breccia - Main Phase fragments and matrix
  - PPH2 Main Phase Type 2 - Main Phase monzodiorite dyke
  - PPHM Main Phase - Plagioclase-hornblende porphyry monzodiorite
- MIDDLE TO UPPER TRIASSIC**  
Stuhini Group or Equivalent
- muTvs Volcanic sandstone, siltstone (VSD)
  - muTva Dynamite Hill Volcanics (DVC) - augite phyric volcanic flow
- SYMBOLS**
- Geologic Contact
  - Fault
  - Fault Breccia Zone

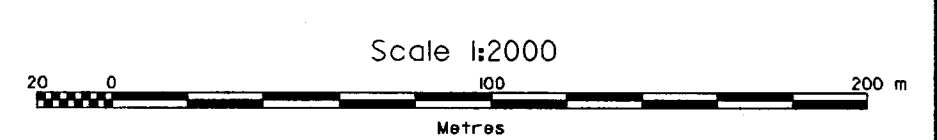
**QUARTZ STOCKWORK ZONES**

- T = Trace
- V = Very Weak
- W = Weak
- M = Medium
- S = Strong
- I = Intense

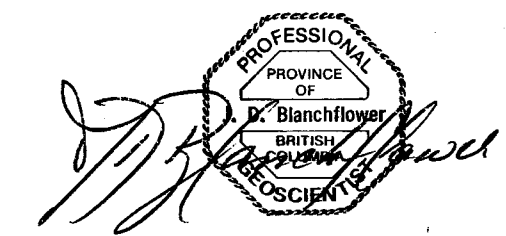
**SECTION ORIENTATION**  
Looking EAST 090°



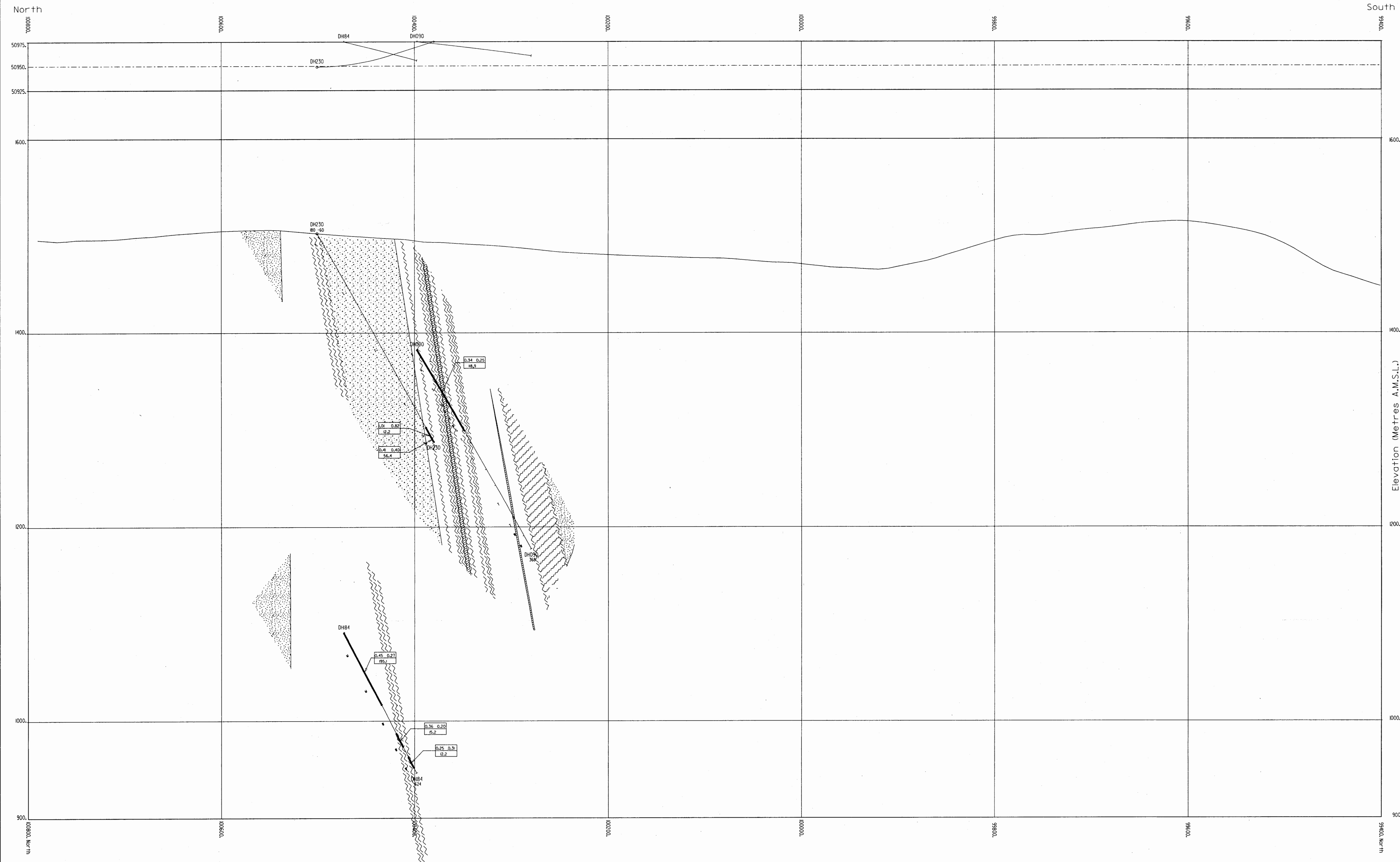
**24453**



MINOREX CONSULTING LTD. GEOLOGICAL CONSULTANTS, DELTA, BRITISH COLUMBIA		
AMERICAN BULLION MINERALS LTD. VANCOUVER, BRITISH COLUMBIA		
<b>DRILL SECTION</b> 50900 E RED-CHRIS PROPERTY LIARD MINING DIVISION, BRITISH COLUMBIA, CANADA		
Date: April, 1996	Scale: 1:2000	Fig: 65
Drawn By: JDB/RWM	File:	







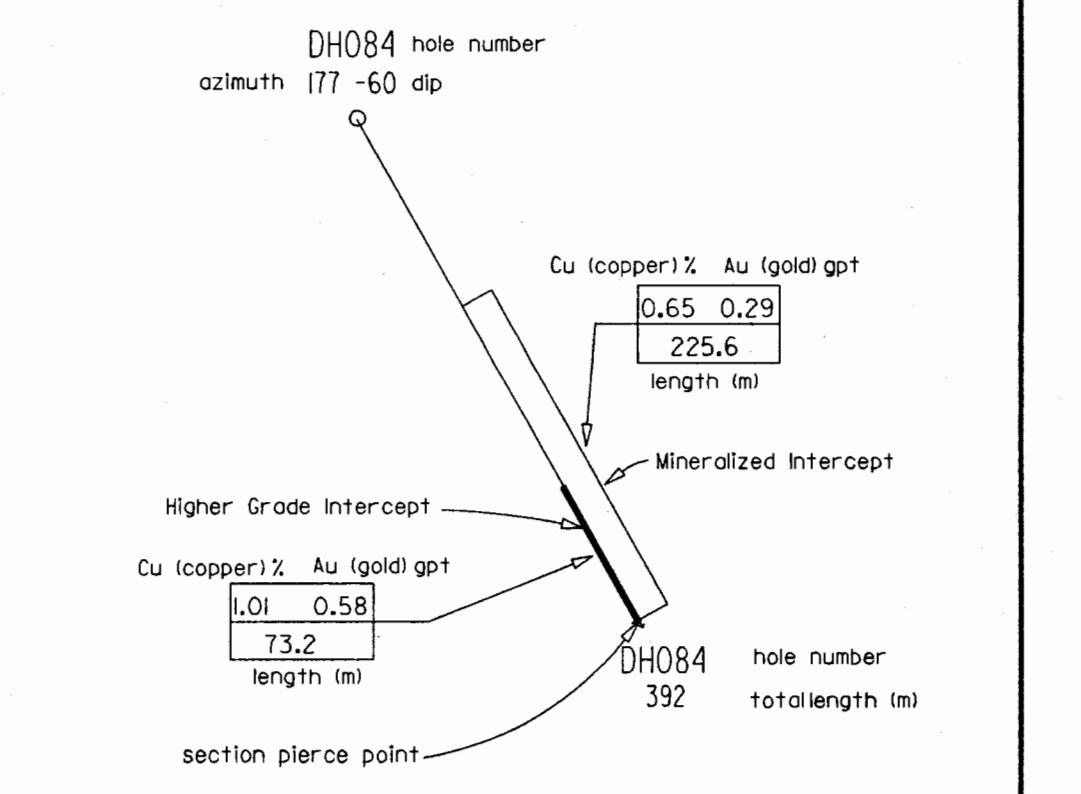
**LEGEND**

- MIDDLE JURASSIC**  
 Bowser Lake Group  
 mJA Ashman Formation (SLST) - siltstone, sandstone, conglomerate
- EARLY JURASSIC**  
 Red Stock  
 DYKE Undivided late-stage dyke  
 DLAT Leucocratic aphanitic dyke  
 DAND Melanocratic aphanitic dyke  
 DMAF Pyroxene-biotite porphyry dyke  
 DQCA Quartz-carbonate amygdaloidal dyke  
 DPFH Feldspar-hornblende-biotite porphyry dyke  
 PBRX Intrusive Breccia - Undivided intrusive breccia  
 PBRL Intrusive Breccia - Late Phase fragments and matrix  
 PPHL Late Phase - Plagioclase-hornblende porphyry monzodiorite  
 PBRM Intrusive Breccia - Main Phase fragments and matrix  
 PPHZ Main Phase Type 2 - Main Phase monzodiorite dyke  
 PPHM Main Phase - Plagioclase-hornblende porphyry monzodiorite

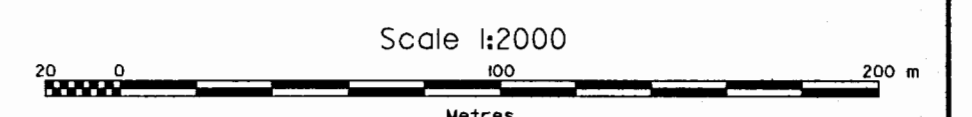
- MIDDLE TO UPPER TRIASSIC**  
 Stuhini Group or Equivalent  
 mu1vs Volcanic sandstone, siltstone (VSED)  
 mu1va Dynamite Hill Volcanics (VOLD) - augite phyric volcanic flow

- SYMBOLS**  
 Geologic Contact  
 Fault  
 Fault Breccia Zone
- SECTION ORIENTATION**  
 Looking EAST 090°

- QUARTZ STOCKWORK ZONES**  
 T = Trace  
 V = Very Weak  
 W = Weak  
 M = Medium  
 S = Strong  
 I = Intense



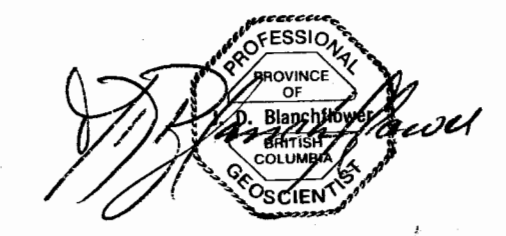
**24453**



MINOREX CONSULTING LTD.  
 GEOLOGICAL CONSULTANTS, DELTA, BRITISH COLUMBIA

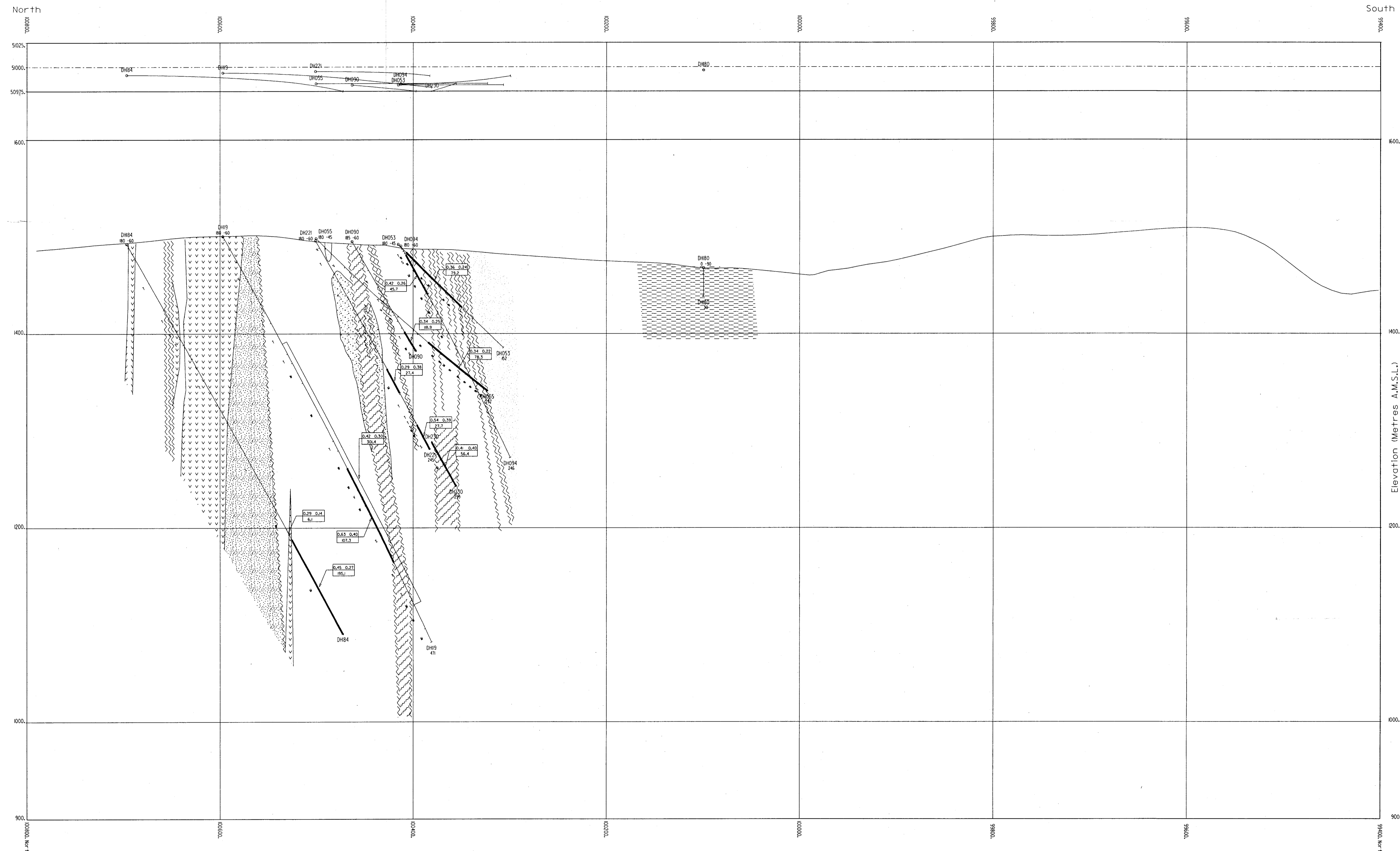
AMERICAN BULLION MINERALS LTD.  
 VANCOUVER, BRITISH COLUMBIA

**DRILL SECTION**  
 50950 E  
 RED-CHRIS PROPERTY  
 LIARD MINING DIVISION, BRITISH COLUMBIA, CANADA



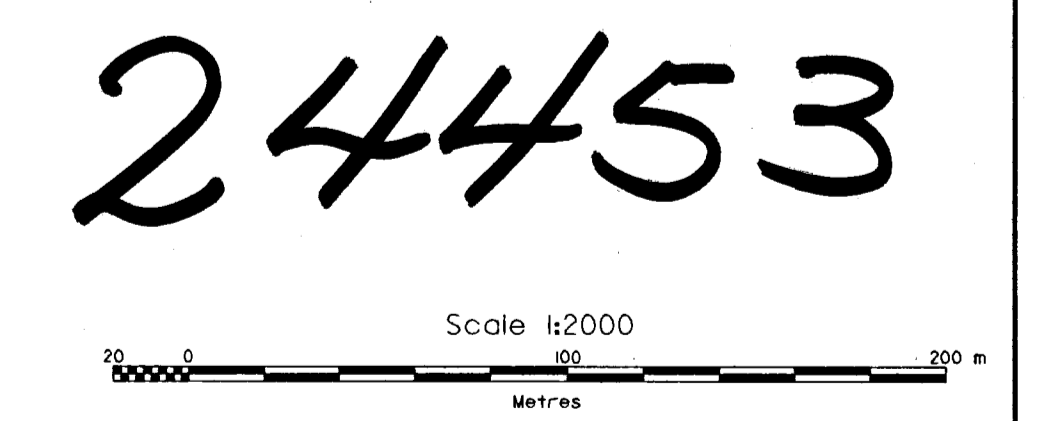
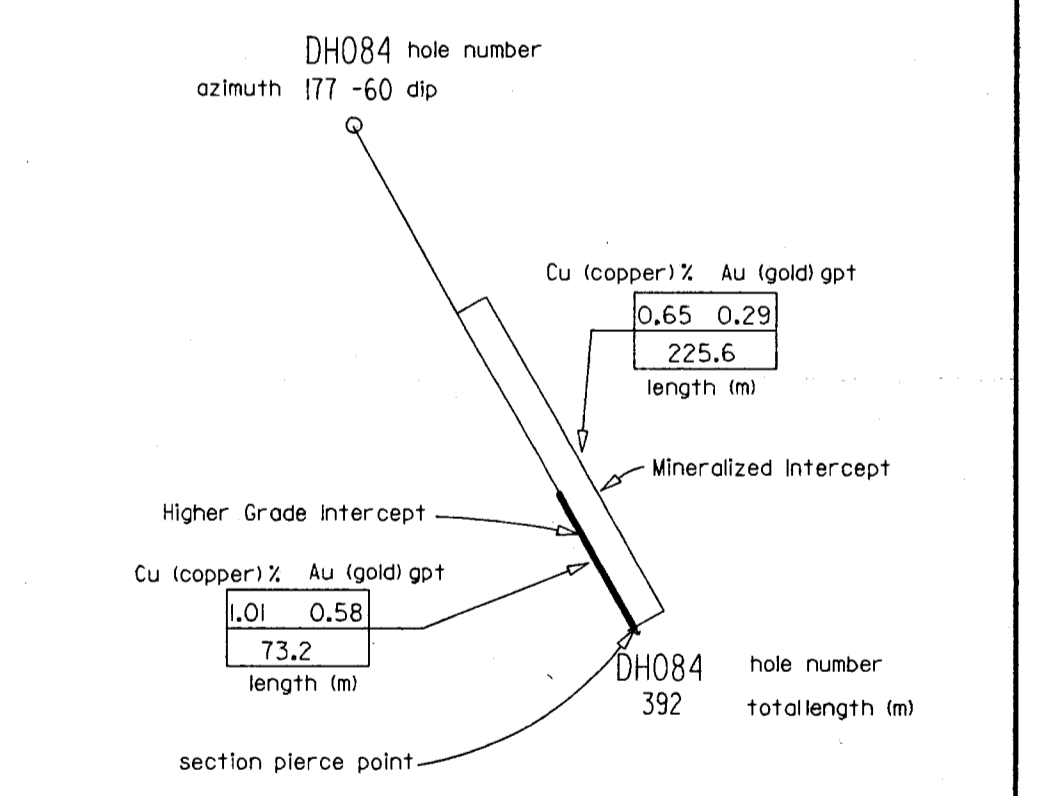
To Accompany Report By J.D. Blanchflower, P.Eng.

Date: April, 1996	Scale: 1:2000	Fig: 66
Drawn By: JDB/RWM	File:	

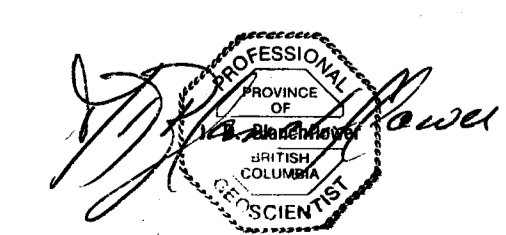


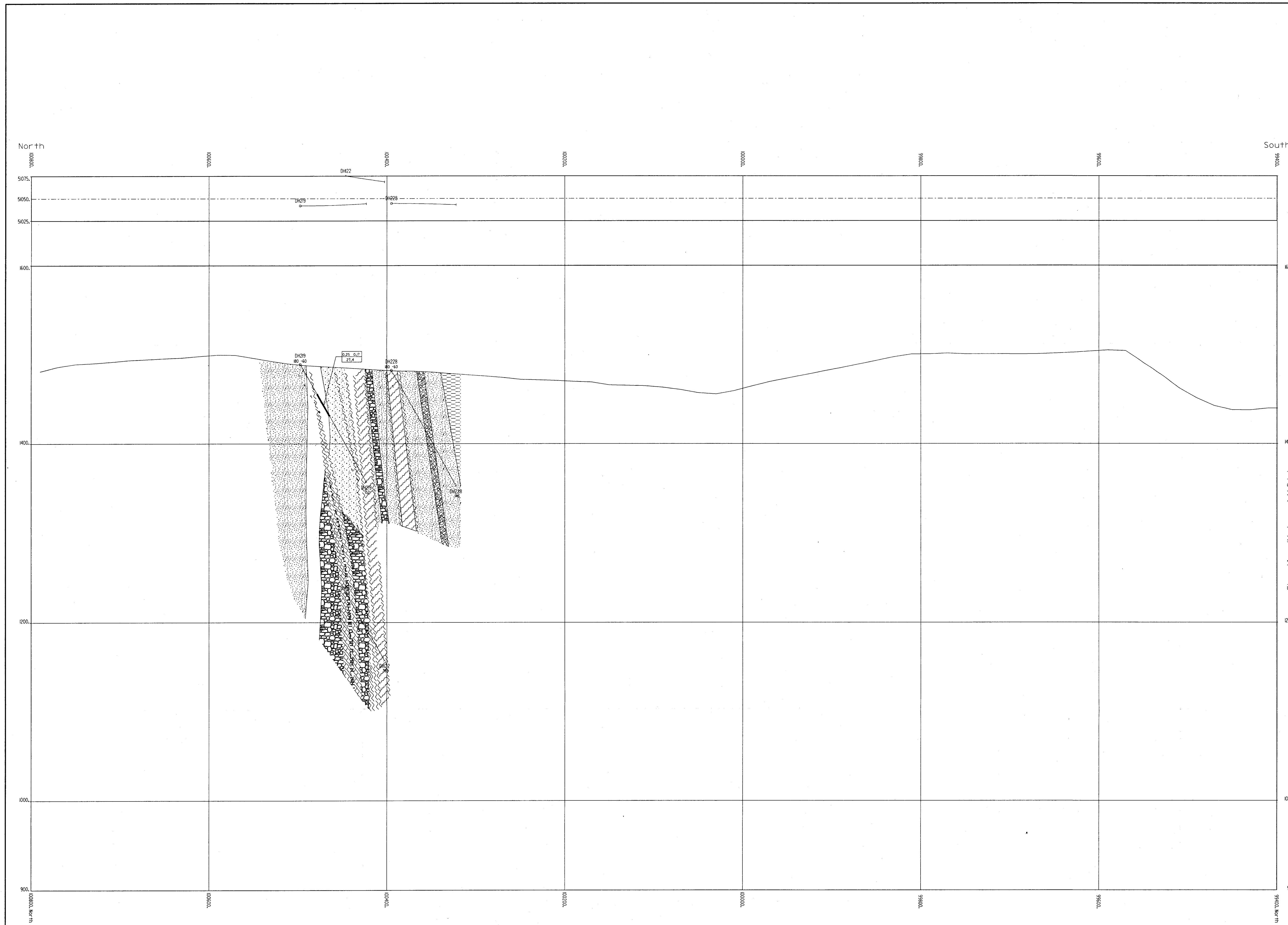
**LEGEND**

- MIDDLE JURASSIC**  
Bowser Lake Group  
mJA Ashman Formation (SLST) - siltstone, sandstone, conglomerate
- EARLY JURASSIC**  
Red Stock  
DYKE Undivided late-stage dyke  
DLAT Leucocratic aphanitic dyke  
DMAN Melanocratic aphanitic dyke  
DMAF Pyroxene-biotite porphyry dyke  
DOCA Quartz-carbonate amygdaloidal dyke  
DPFH Feldspar-hornblende-biotite porphyry dyke  
PBRX Intrusive Breccia - Undivided intrusive breccia  
PBRM Intrusive Breccia - Late Phase fragments and matrix  
PPHL Late Phase - Plagioclase-hornblende porphyry monzodiorite  
PBRM Intrusive Breccia - Main Phase fragments and matrix  
PPH2 Main Phase Type 2 - Main Phase monzodiorite dyke  
PPHM Main Phase - Plagioclase-hornblende porphyry monzodiorite
- MIDDLE TO UPPER TRIASSIC**  
Stuhini Group or Equivalent  
muTvS Volcanic sandstone, siltstone (VSED)  
muTvA Dynamite Hill Volcanics (VOLD) - augite phyric volcanic flow
- SYMBOLS**  
Geologic Contact  
Fault  
Fault Breccia Zone
- QUARTZ STOCKWORK ZONES**  
T = Trace  
V = Very Weak  
W = Weak  
M = Medium  
S = Strong  
I = Intense



MINOREX CONSULTING LTD. GEOLOGICAL CONSULTANTS, DELTA, BRITISH COLUMBIA		
AMERICAN BULLION MINERALS LTD. VANCOUVER, BRITISH COLUMBIA		
DRILL SECTION 51000 E RED-CHRIS PROPERTY LIARD MINING DIVISION, BRITISH COLUMBIA, CANADA		
Date: April, 1996	Scale: 1:2000	Fig: 67
Drawn By: JDB/RMM	File:	



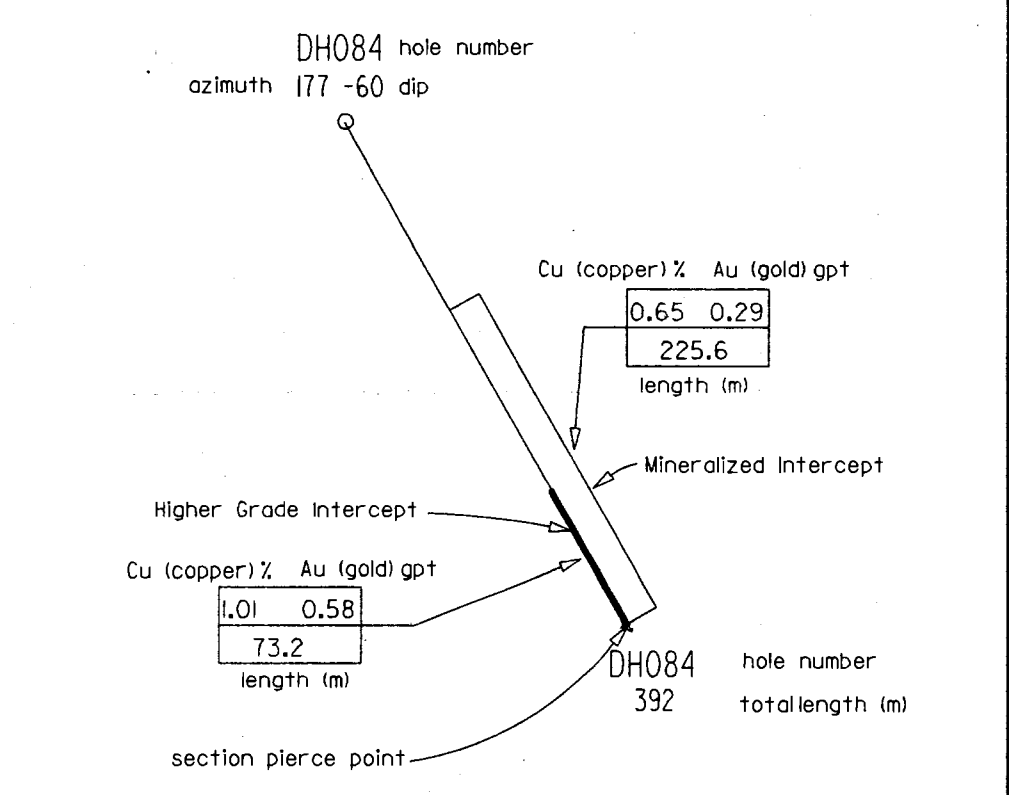


**LEGEND**

- MIDDLE JURASSIC**  
 Bowser Lake Group  
 mJA Ashman Formation (SLST) - siltstone, sandstone, conglomerate
- EARLY JURASSIC**  
 Red Stock  
 DYKE Undivided late-stage dyke  
 DLAT Leucocratic aphanitic dyke  
 DAND Melanocratic aphanitic dyke  
 DMAF Pyroxene-biotite porphyry dyke  
 DOCA Quartz-carbonate amygdaloidal dyke  
 DPFH Feldspar-hornblende-biotite porphyry dyke  
 PBRX Intrusive Breccia - Undivided Intrusive breccia  
 PBRL Intrusive Breccia - Late Phase fragments and matrix  
 PPHL Late Phase - Plagioclase-hornblende porphyry monzodiorite  
 PBRM Intrusive Breccia - Main Phase fragments and matrix  
 PPH2 Main Phase Type 2 - Main Phase monzodiorite dyke  
 PPHM Main Phase - Plagioclase-hornblende porphyry monzodiorite
- MIDDLE TO UPPER TRIASSIC**  
 Stuhini Group or Equivalent  
 muTvs Volcanic sandstone, siltstone (VSDI)  
 muTva Dynamite Hill Volcanics (VULC) - augite phyric volcanic flow

- SYMBOLS**  
 Geologic Contact  
 Fault  
 Fault Breccia Zone
- SECTION ORIENTATION**  
 Looking EAST 090°

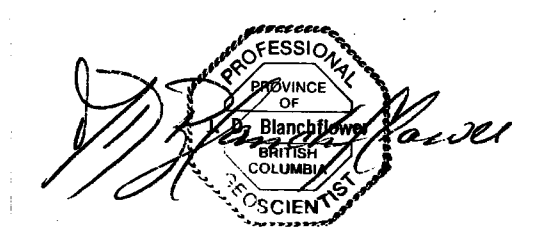
- QUARTZ STOCKWORK ZONES**  
 T = Trace  
 V = Very Weak  
 W = Weak  
 M = Medium  
 S = Strong  
 I = Intense



**24453**

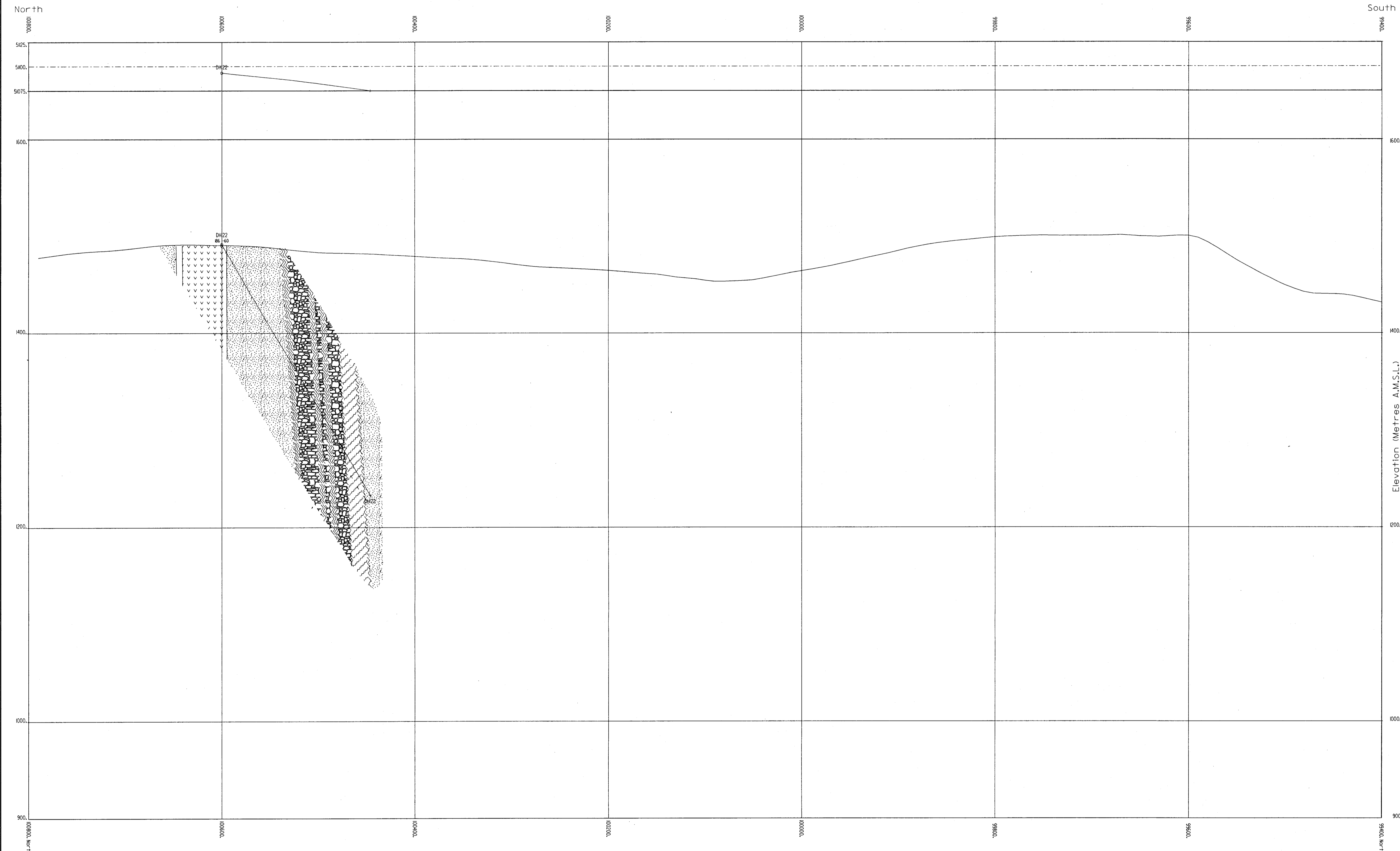
Scale 1:2000  
 0 100 200 m  
 Metres

MINOREX CONSULTING LTD. GEOLOGICAL CONSULTANTS, DELTA, BRITISH COLUMBIA		
AMERICAN BULLION MINERALS LTD. VANCOUVER, BRITISH COLUMBIA		
<b>DRILL SECTION</b> 51050 E RED-CHRIS PROPERTY LIARD MINING DIVISION, BRITISH COLUMBIA, CANADA		
Date: Apr 11, 1996	Scale: 1:2000	Fig: 68
Drawn By: JDB/RWM	File:	



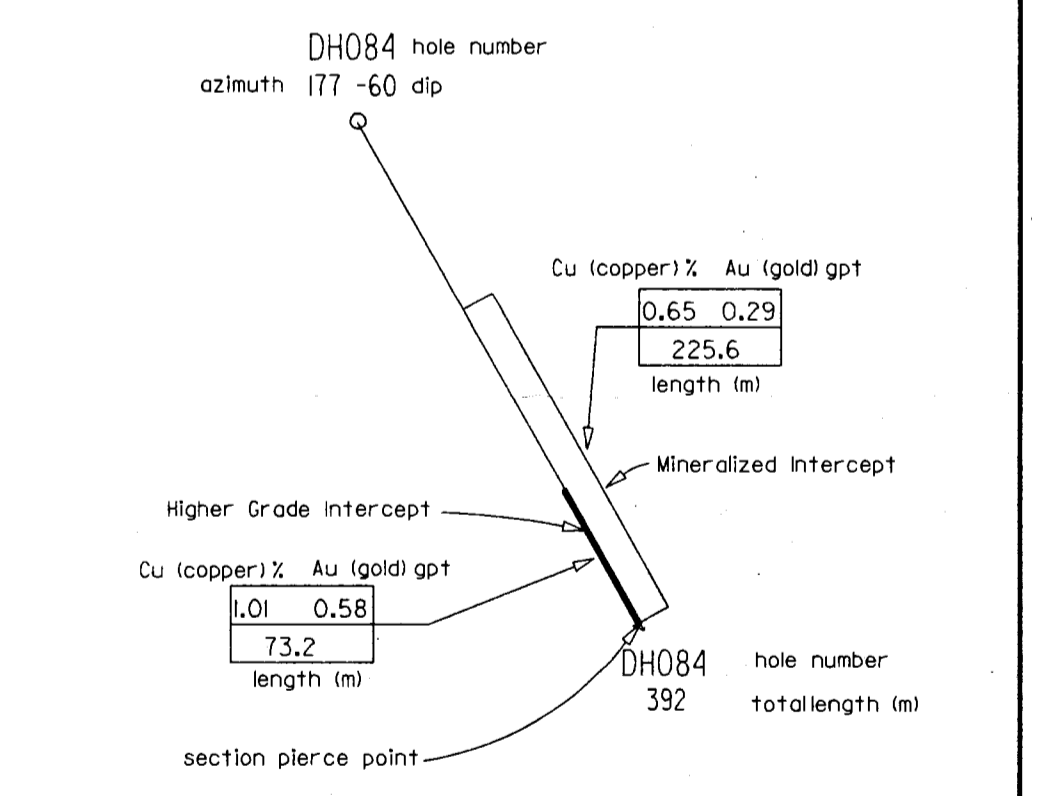
To Accompany Report By J.D. Blanchflower, P.Geo.



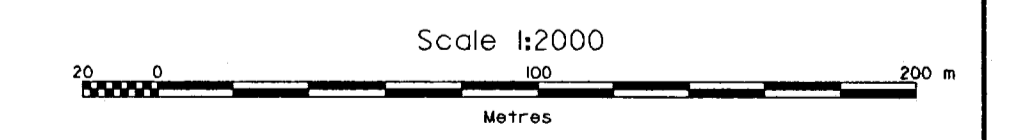


**LEGEND**

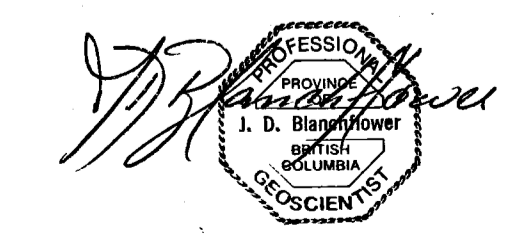
- MIDDLE JURASSIC**  
 Bowser Lake Group  
 mJA Ashman Formation (SLST) - siltstone, sandstone, conglomerate
- EARLY JURASSIC**  
 Red Stock  
 DYKE Undivided late-stage dyke  
 DLAT Leucocratic aphanitic dyke  
 DAND Melanocratic aphanitic dyke  
 DMAF Pyroxene-biotite porphyry dyke  
 DOCA Quartz-carbonate amygdaloidal dyke  
 DPFH Feldspar-hornblende-biotite porphyry dyke  
 PBRC Intrusive Breccia - undivided Intrusive breccia  
 PBRL Intrusive Breccia - Late Phase fragments and matrix  
 PPHL Late Phase - Plagioclase-hornblende porphyry monzodiorite  
 PBRM Intrusive Breccia - Main Phase fragments and matrix  
 PPH2 Main Phase Type 2 - Main Phase monzodiorite dyke  
 PPHM Main Phase - Plagioclase-hornblende porphyry monzodiorite
- MIDDLE TO UPPER TRIASSIC**  
 Stuhini Group or Equivalent  
 mu1vs Volcanic sandstone, siltstone (VSDI)  
 mu1va Dynamite Hill Volcanics (VDL) - augite phyric volcanic flow
- SYMBOLS**  
 Geologic Contact  
 Fault  
 Fault Breccia Zone
- SECTION ORIENTATION**  
 Looking EAST 090°
- QUARTZ STOCKWORK ZONES**  
 T = Trace  
 V = Very Weak  
 W = Weak  
 M = Medium  
 S = Strong  
 I = Intense



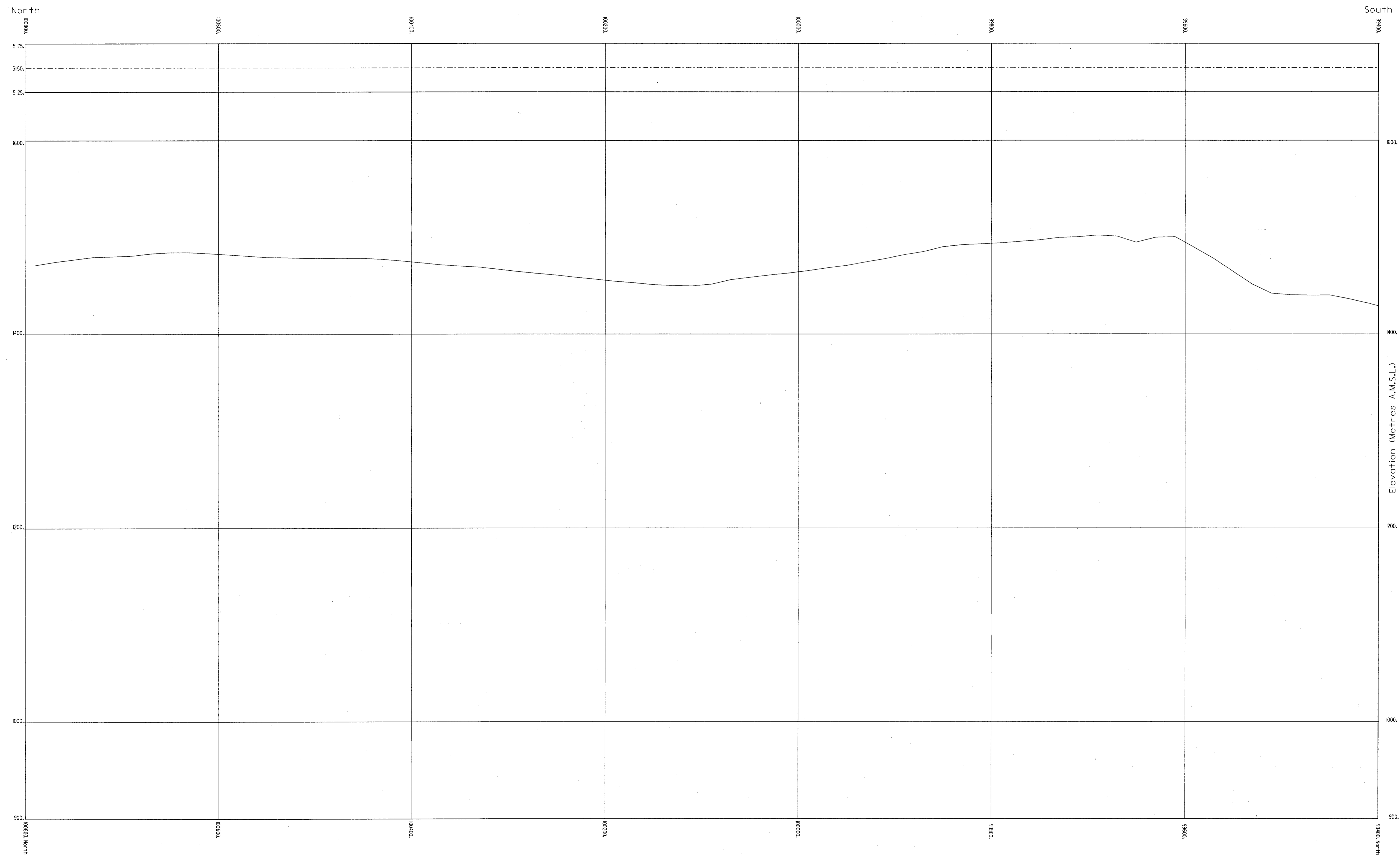
**24453**



MINOREX CONSULTING LTD. GEOLOGICAL CONSULTANTS, DELTA, BRITISH COLUMBIA		
AMERICAN BULLION MINERALS LTD. VANCOUVER, BRITISH COLUMBIA		
DRILL SECTION 51100 E RED-CHRIS PROPERTY LIARD MINING DIVISION, BRITISH COLUMBIA, CANADA		
Date: April, 1996	Scale: 1:2000	Fig: 69
Drawn By: JDB/RWM	File:	



To Accompany Report By J.D. Blanchflower, P.Geo.



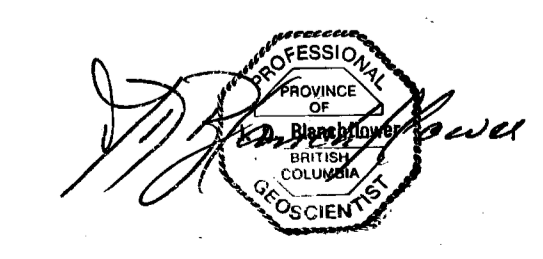
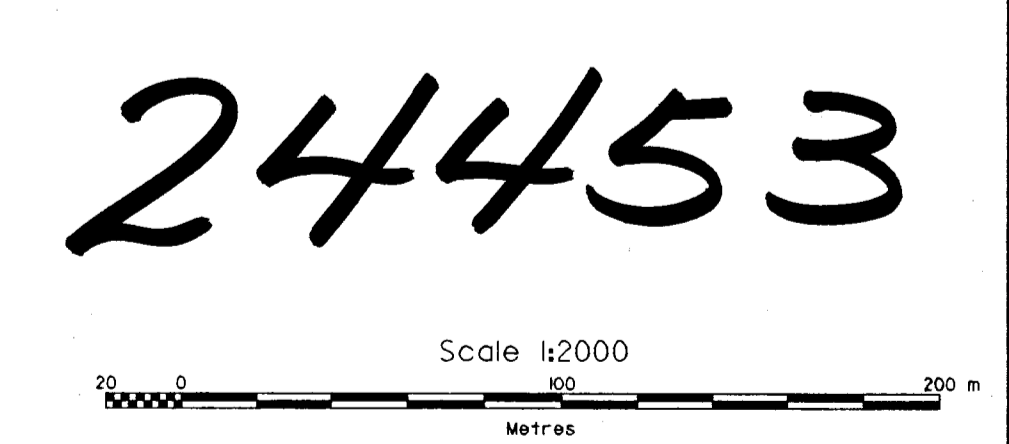
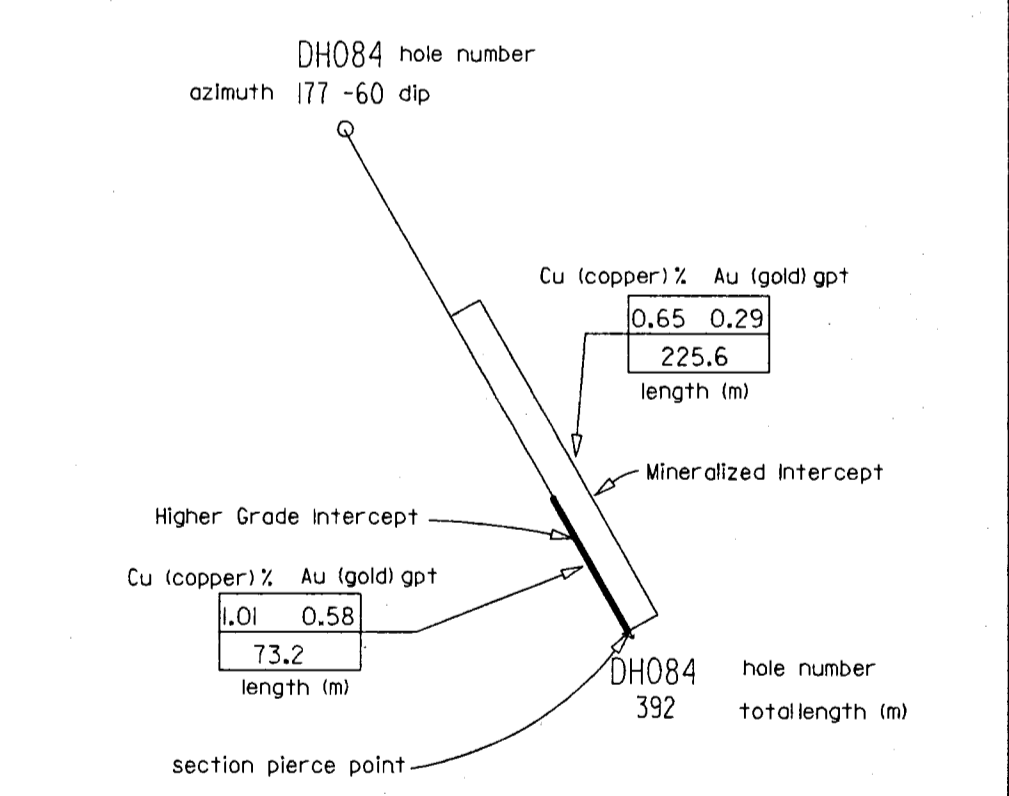
**LEGEND**

- MIDDLE JURASSIC**  
 Bowser Lake Group  
 mJA Ashman Formation (SLST) - siltstone, sandstone, conglomerate
- EARLY JURASSIC**  
 Red Stock  
 DYKE Undivided late-stage dyke  
 DLAT Leucocratic aphanitic dyke  
 DAND Melanocratic aphanitic dyke  
 DMAF Pyroxene-biotite porphyry dyke  
 DOCA Quartz-carbonate amygdaloidal dyke  
 DPFH Feldspar-hornblende-biotite porphyry dyke  
 PBRX Intrusive Breccia - Undivided Intrusive breccia  
 PBRL Intrusive Breccia - Late Phase fragments and matrix  
 PPHL Late Phase - Plagioclase-hornblende porphyry monzodiorite  
 PBRM Intrusive Breccia - Main Phase fragments and matrix  
 PPH2 Main Phase Type 2 - Main Phase monzodiorite dyke  
 PPHM Main Phase - Plagioclase-hornblende porphyry monzodiorite

- MIDDLE TO UPPER TRIASSIC**  
 Stuhini Group or Equivalent  
 muTvs Volcanic sandstone, siltstone (VSED)  
 muTva Dynamite Hill Volcanics (VOLC) - augite phyrlic volcanic flow

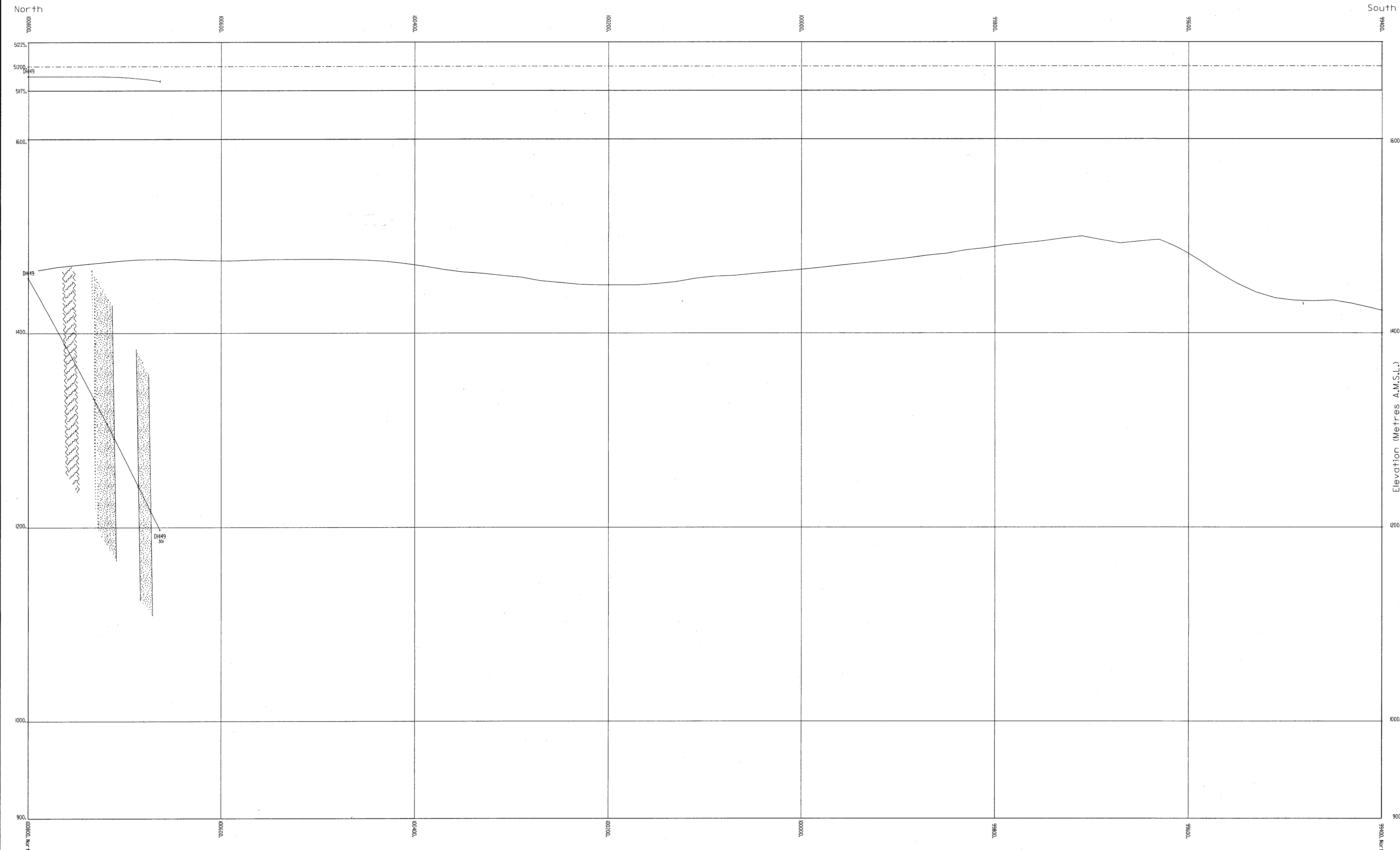
- SYMBOLS**  
 Geologic Contact  
 Fault  
 Fault Breccia Zone

- QUARTZ STOCKWORK ZONES**  
 T = Trace  
 V = Very weak  
 W = Weak  
 M = Medium  
 S = Strong  
 I = Intense



To Accompany Report By J.D. Blanchflower, P. Geo.

MINOREX CONSULTING LTD. GEOLOGICAL CONSULTANTS, DELTA, BRITISH COLUMBIA		
AMERICAN BULLION MINERALS LTD. VANCOUVER, BRITISH COLUMBIA		
<b>DRILL SECTION</b> 51150 E RED-CHRIS PROPERTY LIARD MINING DIVISION, BRITISH COLUMBIA, CANADA		
Date: April, 1996	Scale: 1:2000	Fig: 70
Drawn By: JDB/RWM	File:	



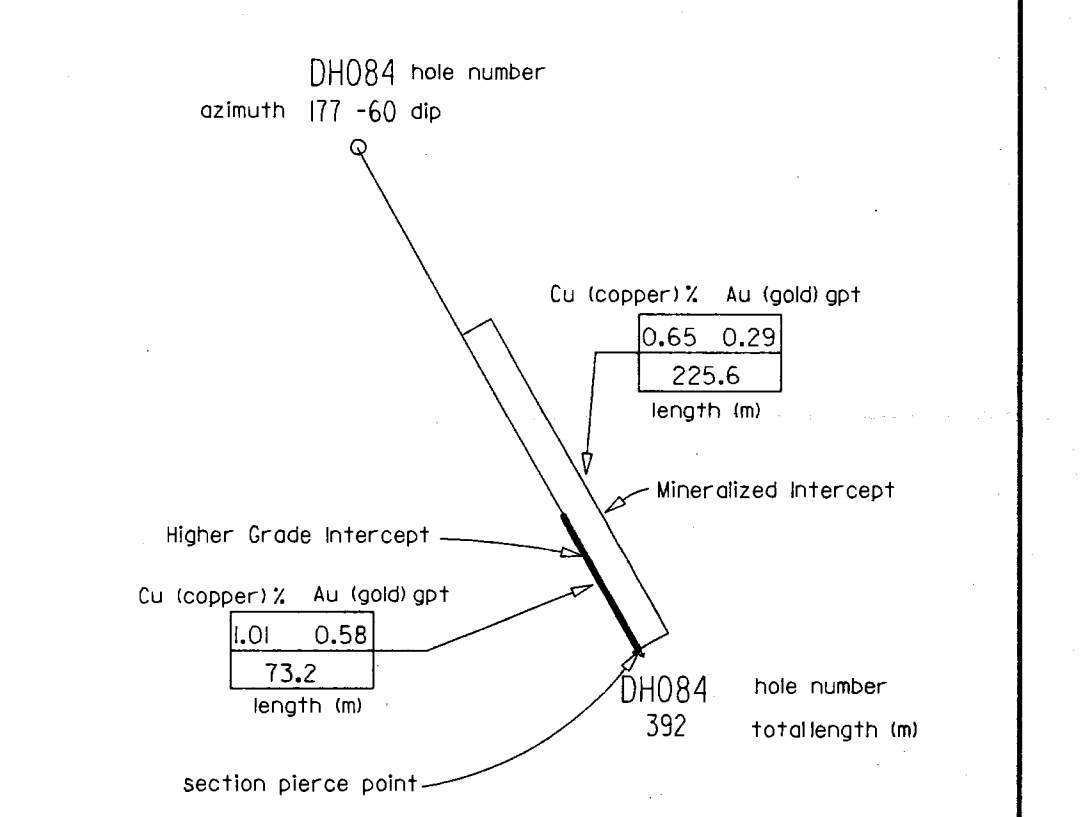
**LEGEND**

- MIDDLE JURASSIC**  
Bowser Lake Group
- mJA Ashman Formation (LSLST) - siltstone, sandstone, conglomerate
- EARLY JURASSIC**  
Red Stock
- DYKE Undivided late-stage dyke
  - DLAT Leucocratic aphanitic dyke
  - DAND Melanocratic aphanitic dyke
  - DMAF Pyroxene-biotite porphyry dyke
  - DOCA Quartz-carbonate amygdaloidal dyke
  - DPFH Feldspar-hornblende-biotite porphyry dyke
  - PBRX Intrusive Breccia - Undivided Intrusive breccia
  - PBRM Intrusive Breccia - Late Phase fragments and matrix
  - PPHL Late Phase - Plagioclase-hornblende porphyry monzodiorite
  - PBRM Intrusive Breccia - Main Phase fragments and matrix
  - PPH2 Main Phase Type 2 - Main Phase monzodiorite dyke
  - PPHM Main Phase - Plagioclase-hornblende porphyry monzodiorite

- MIDDLE TO UPPER TRIASSIC**  
Stuhini Group or Equivalent
- mu1vs Volcanic sandstone, siltstone (VSED)
  - mu1va Dynamite Hill Volcanics (VOL1) - augite phyric volcanic flow

- SYMBOLS**
- Geologic Contact
  - Fault
  - Fault Breccia Zone

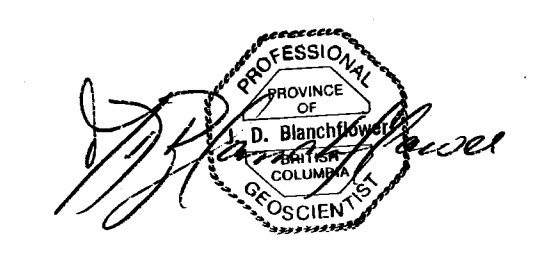
- QUARTZ STOCKWORK ZONES**
- T = Trace
  - V = Very Weak
  - W = Weak
  - M = Medium
  - S = Strong
  - I = Intense



24453

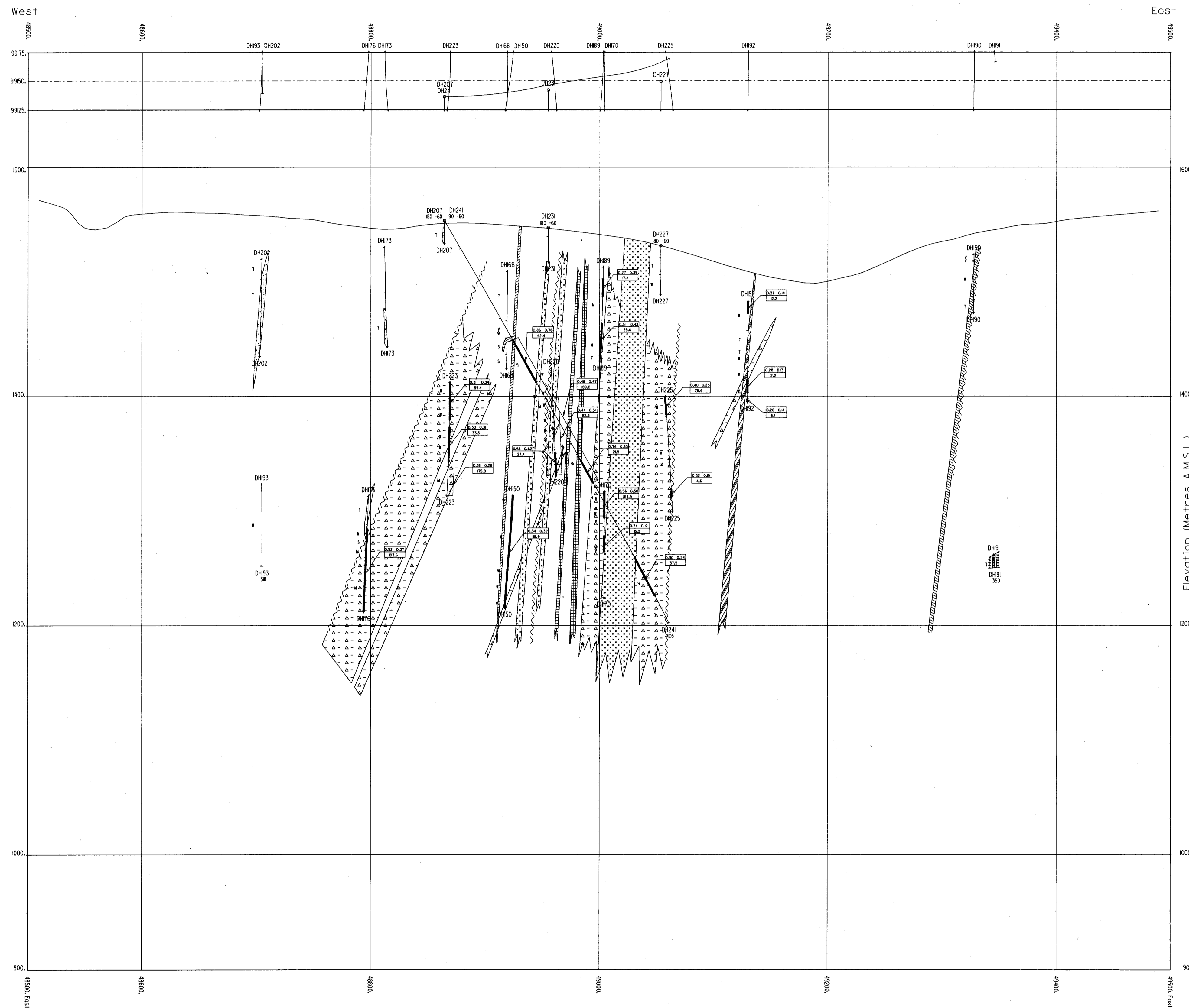
Scale 1:2000

0 100 200 m



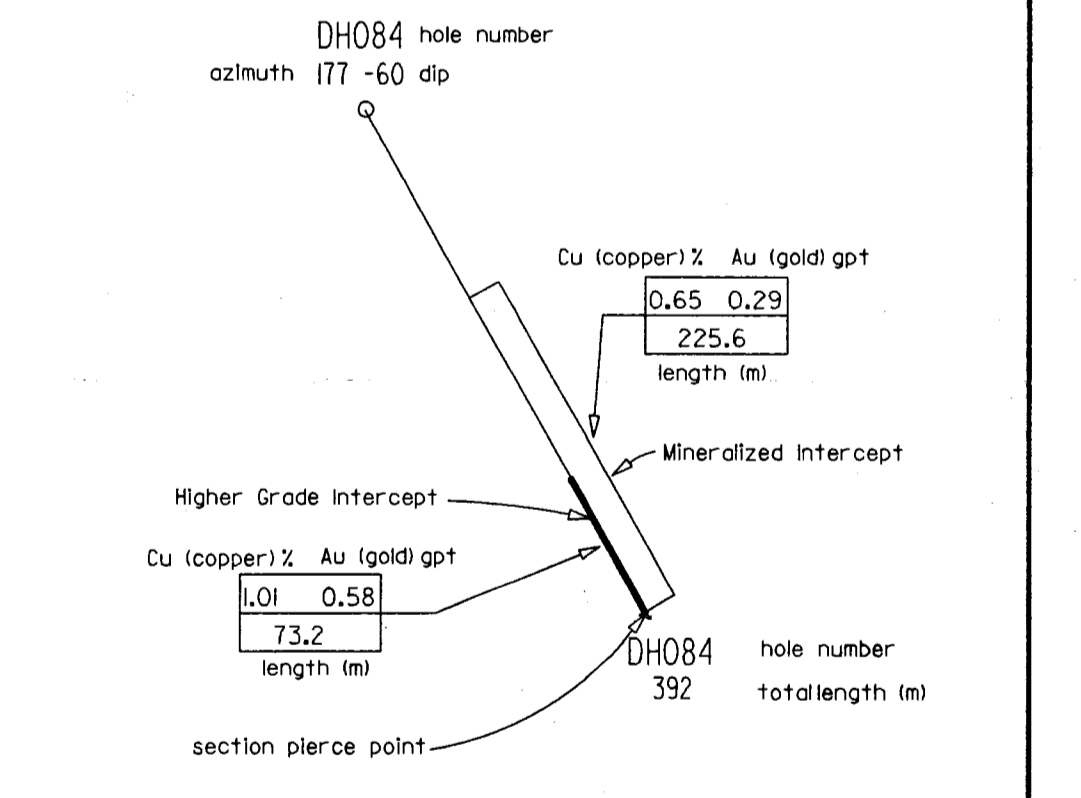
MINOREX CONSULTING LTD. GEOLOGICAL CONSULTANTS, DELTA, BRITISH COLUMBIA		
AMERICAN BULLION MINERALS LTD. VANCOUVER, BRITISH COLUMBIA		
<b>DRILL SECTION</b> 51200 E RED-CHRIS PROPERTY LIARD MINING DIVISION, BRITISH COLUMBIA, CANADA		
Date: April, 1996	Scale: 1:2000	Fig: 71
Drawn By: JDB/RMM	Files:	





**LEGEND**

- MIDDLE JURASSIC**  
Bowser Lake Group  
mJA Ashwan Formation (SLST) - siltstone, sandstone, conglomerate
- EARLY JURASSIC**  
Red Stock  
DYKE Undivided late-stage dyke  
DLAT Leucocratic aphanitic dyke  
DAND Melanocratic aphanitic dyke  
DMAF Pyroxene-biotite porphyry dyke  
DOCA Quartz-carbonate amygdaloidal dyke  
DPFH Feldspar-hornblende-biotite porphyry dyke  
PBRX Intrusive Breccia - Undivided Intrusive breccia  
PBRU Intrusive Breccia - Late Phase fragments and matrix  
PPHL Late Phase - Plagioclase-hornblende porphyry monzodiorite  
PBRM Intrusive Breccia - Main Phase fragments and matrix  
PPH2 Main Phase Type 2 - Main Phase monzodiorite dyke  
PPHM Main Phase - Plagioclase-hornblende porphyry monzodiorite
- MIDDLE TO UPPER TRIASSIC**  
Stuhini Group or Equivalent  
mTvs Volcanic sandstone, siltstone (VSED)  
mTva Dynamic Hill Volcanics (VOLD) - augite phyric volcanic flow
- SYMBOLS**  
Geologic Contact  
Fault  
Fault Breccia Zone
- SECTION ORIENTATION**  
Looking NORTH 000°
- QUARTZ STOCKWORK ZONES**  
T = Trace  
V = Very Weak  
W = Weak  
M = Medium  
S = Strong  
I = Intense



**24453**

Scale 1:2000  
Metres

MINOREX CONSULTING LTD. GEOLOGICAL CONSULTANTS, DELTA, BRITISH COLUMBIA		
AMERICAN BULLION MINERALS LTD. VANCOUVER, BRITISH COLUMBIA		
<b>DRILL SECTION</b> 99150 N RED-CHRIS PROPERTY LIARD MINING DIVISION, BRITISH COLUMBIA, CANADA		
Date: April, 1996	Scale: 1:2000	Fig: 72
Drawn By: JDB/RMM	File:	