



Ministry of Energy & Mines
 Energy & Minerals Division
 Geological Survey Branch

ASSESSMENT REPORT
 TITLE PAGE AND SUMMARY

TITLE OF REPORT (type of survey(s)) Related Technical (sampling/assaying) TOTAL COST \$7070.45

AUTHOR(S) Donald Bunce SIGNATURE(S) Donald Bunce

NOTICE OF WORK PERMIT NUMBER(S)/DATE(S) MX-1-817 -2010/Jan to 2013/Nov YEAR OF WORK 2013

STATEMENT OF WORK - CASH PAYMENT EVENT NUMBER(S)/DATE(S)
Event Number 5482018 2013/Dec/21

PROPERTY NAME Jade Fever

CLAIM NAME(S) (on which work was done)
Jade Fever #6 Tenure # 918229

COMMODITIES SOUGHT Jade (Nephrite)

MINERAL INVENTORY MINFILE NUMBER(S), IF KNOWN

MINING DIVISION Liard NTS 104 J080

LATITUDE 58° 0 45 . 50 LONGITUDE 130° 03 . 00 " (at centre of work)

OWNER(S)
 1) Donald Bunce 2) Robin Bunce

MAILING ADDRESS
21670 Chief Lake Rd. P.O. Box B8
Prince George, B.C., V2K-5K5 Jade City, B.C., VOC-1E0

OPERATOR(S) (who paid for the work)
 1) Donald Bunce 2) Robin Bunce

MAILING ADDRESS
21670 Chief Lake Rd. P.O. Box B8
Prince George, B.C., V2K-5K5 Jade City, B.C., VOC-1E0

PROPERTY GEOLOGY KEYWORDS (lithology, age, stratigraphy, structure, alteration, mineralization, size and altitude):
Triassic, Intrusive, Ultramafics, Nephrite

REFERENCES TO PREVIOUS ASSESSMENT WORK AND ASSESSMENT REPORT NUMBERS
Event Numbers; # 5079453, # 5087567

TYPE OF WORK IN THIS REPORT	EXTENT OF WORK (IN METRIC UNITS)	ON WHICH CLAIMS	PROJECT COSTS APPORTIONED (incl. support)
GEOLOGICAL (scale, area)			
Ground, mapping _____			
Photo interpretation _____			
GEOFYSICAL (line-kilometres)			
Ground			
Magnetic _____			
Electromagnetic _____			
Induced Polarization _____			
Radiometric _____			
Seismic _____			
Other _____			
Airborne _____			
GEOCHEMICAL			
(number of samples analysed for ...)			
Soil _____			
Silt _____			
Rock _____			
Other _____			
DRILLING			
(total metres; number of holes, size)			
Core _____			
Non-core _____			
RELATED TECHNICAL			
Sampling/assaying <u>15 samples in 17.5m of Trenches</u>		Jade Fever # 6 Tenure # 918 229	\$ 766.76
Petrographic _____			
Mineralographic _____			
Metallurgic _____			
PROSPECTING (scale, area) _____			
PREPARATORY/PHYSICAL			
Line/grid (kilometres) _____			
Topographic/Photogrammetric (scale, area) _____			
Legal surveys (scale, area) _____			
Road, local access (kilometres)/trail <u>0.798 km</u>		Tenure # 918 229	\$ 2535.08
Trench (metres) <u>17.5 m</u>		Tenure # 918 229	\$ 160.11
Underground dev. (metres) _____			
Other <u>Food + Lodging</u>		Tenure # 918 229	\$ 2800.00
<u>Transportation</u>		Tenure # 918 229	\$ 808.50
		TOTAL COST	\$ 7070.45

Statement of Exploration and Development

2013

BC Geological Survey
Assessment Report
34509

Jade Fever 6 Claim

Liard Mining Division Map sheet 104J080

58° 45' 53" N
130° 02' 48" W

For

Donald Bunce
21670 Chief Lake Road
Prince George, B.C.
V2K - 5K5

By

Donald Bunce
21670 Chief Lake Road
Prince George, B.C.
V2K - 5K5

Operator

Donald Bunce

Date Submitted

Feb. 8, 2014

34,509

BC GEOLOGICAL SURVEY BRANCH
PRINCE GEORGE OFFICE

Statement of Exploration and Development

Table of Contents

Index	2
2013 Exploration Program	3
Objective and Results	3
Property Description	6
Access to work site	6
Assay Results	6
Statement of Costs	12
Author's Qualifications	13
Map # 1 of British Columbia	14
Map # 2 showing the nearest town	15
Map # 3 showing access to work site	16
Map # 4 showing work site relative to Claim boundary	17
Pictures of exploration trenches and exploration trail	18 - 22

Statement of Exploration and Development

2013 Exploration Program

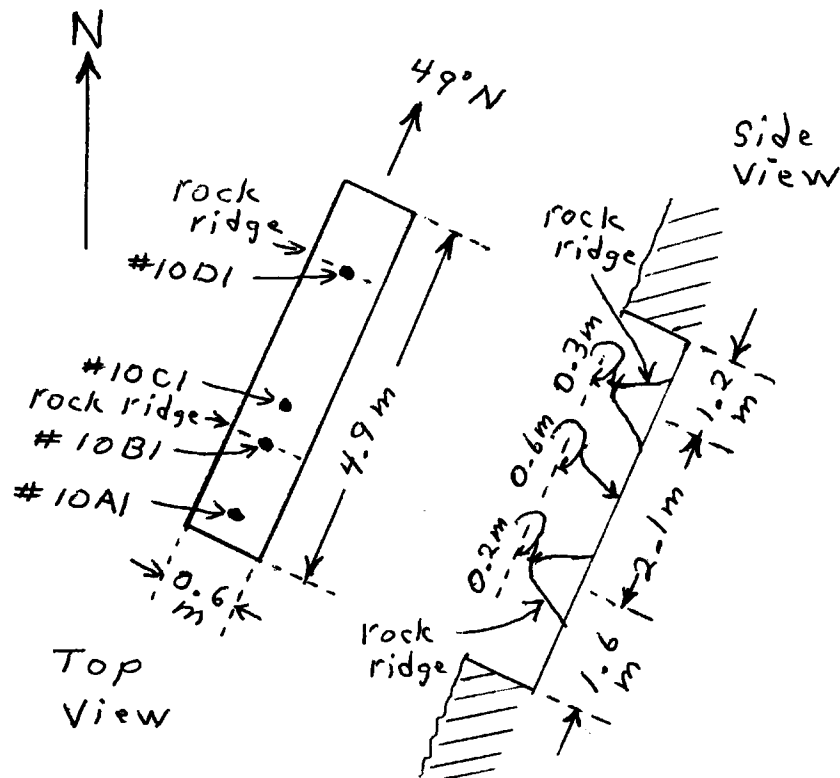
During the period of Jul/02/2013 to sep/15/2013, a rock sampling / assaying of three trenches, and the construction of the exploration trail was under taken on the Jade Fever 6 claim.

Objective and Results

The objective of the trenching program was to determine where the contact zone is, between the Intrusive (serpentinite) rocks and the Meta sedimentary (cherty slate) rocks. Looking for in - situ deposits of Nephrite Jade.

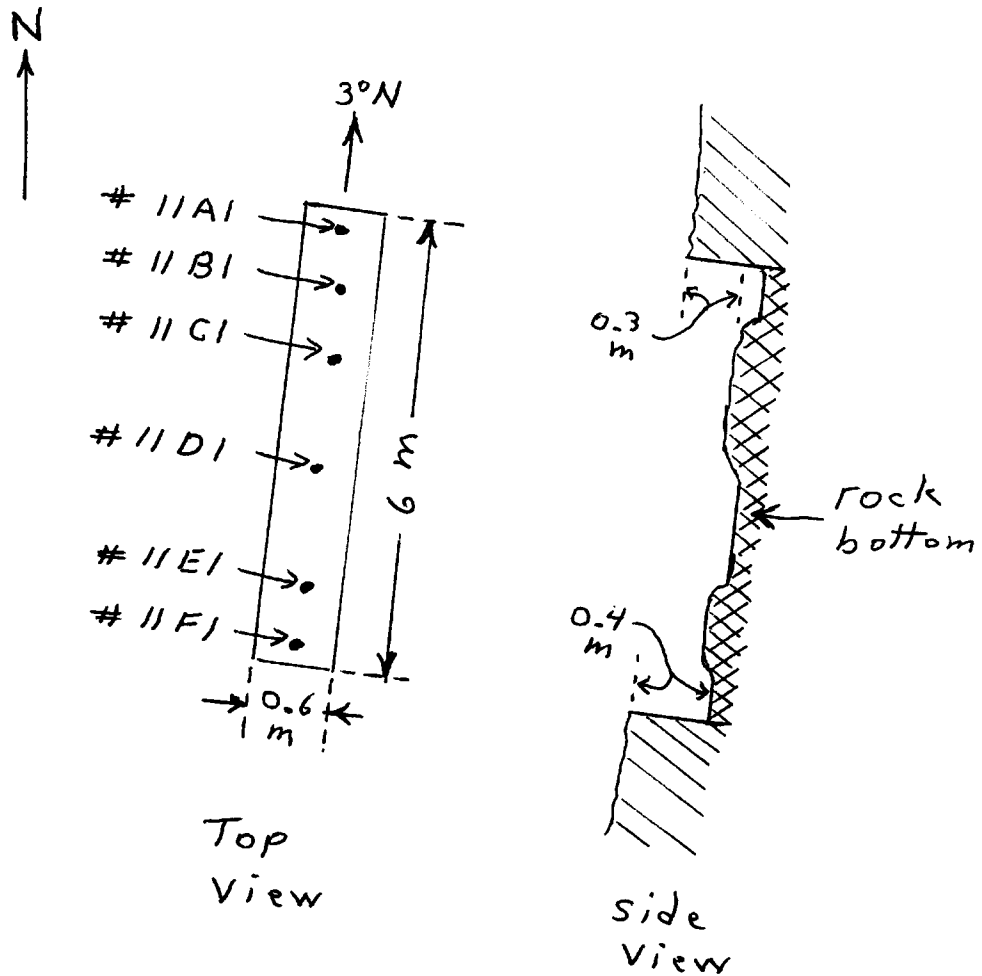
Results indicate that :

In trench TR10/13, it was 0.6 meters deep and consisted of sand and gravel, the rocks are of flat sides and sharp edges. There are two rock ridges that cross the trench at 90 degrees. There were four rock samples taken, # 10A1, # 10B1, # 10C1 and # 10D1. Samples #10B1 and # 10D1 were taken from the rock ridges. All four samples consisted of a cherty slate.



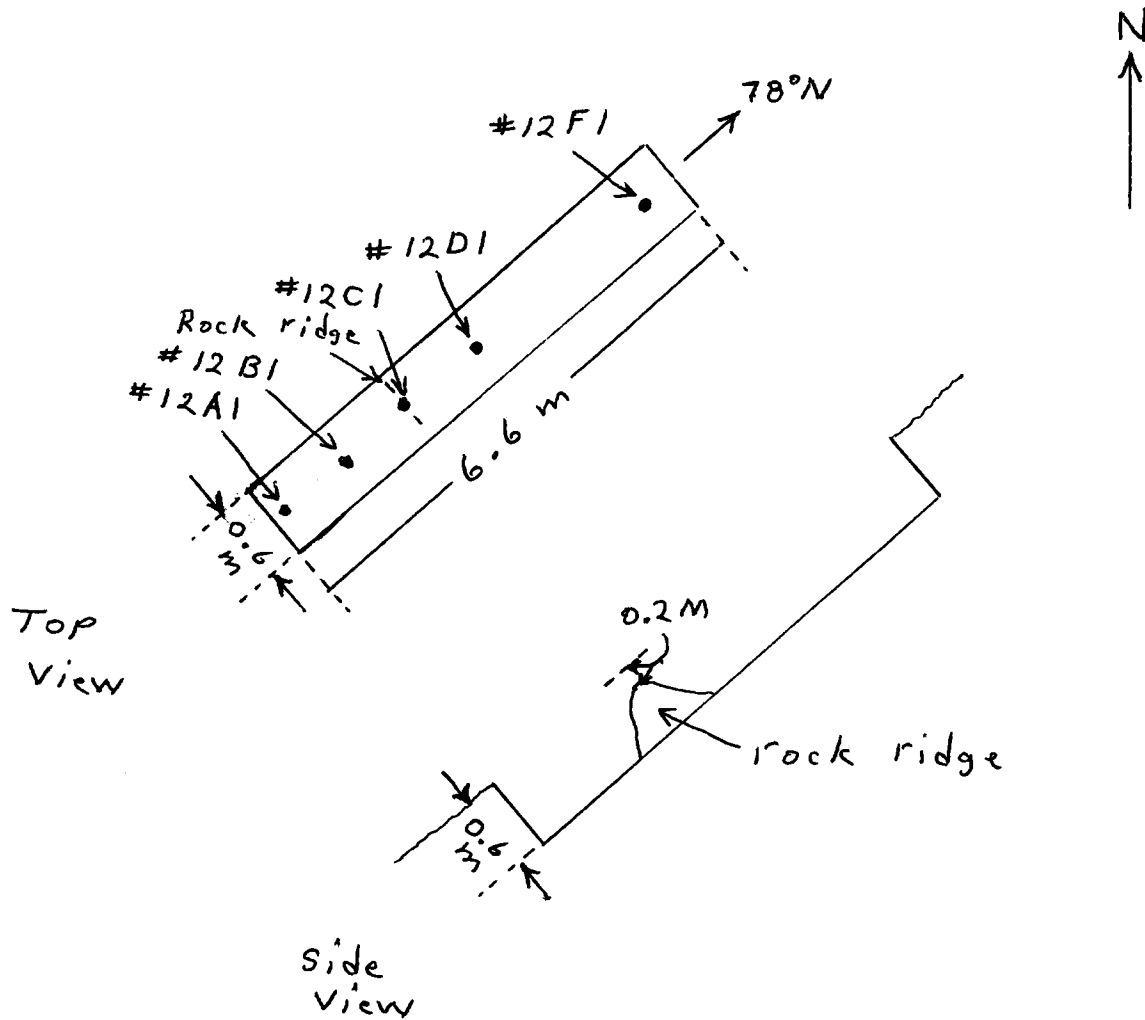
Statement of Exploration and Development

In trench TR11/13, it was 0.4 meters deep, it consisted of glacial till, the bottom of the trench was rock. There were six rock samples taken, # 11A1, #11B1, # 11C1, # 11D1, # 11E1 and # 11F1, all six samples were ripped off of the rock. The six consisted of a cherty slate.



Statement of Exploration and Development

In trench TR12/13, it was 1.6 meters deep, there is one rock ridge that cross the trench at 90 degrees. It consisted of sand and gravel with broken rock. There were six rock samples taken, # 12A1, # 12B1, # 12C1, # 12D1, # 12E1 and # 12F1. # 12E1 was misplaced, so only five samples had analyses done on them. # 12C1 was taken from the rock ridge and the rest of the samples were taken out of the broken rock.



Statement of Exploration and Development

Recommendations

In the summer of 2014, we intend to do more exploration work in the area surrounding trench # TR12/13 and the area, to the east and southeast of trench # TR10/13.

Property Description

Area is situated on the divide between the Omineca Belt to the northeast, and the Intermontane Belt to the southwest. Rocks of the Cache Creek Complex (Mississippian to Triassic age) are on both sides of the divide. There are Intrusive rock formations scattered through out the immediate area, on both sides of the divide, between the Omineca Belt and the Intermontane Belt. The age of the Intrusive rock are unknown.

Access to work site

Access to the site is via Highway 37 at km. 528.5, which is 1 km. south of the Sawmill Point Camp grounds on the northeast side of Diese Lake.

Assay Results

There were 15 samples assayed, they are # 10A1, #10B1, # 10C1, # 10D1, # 11A1, # 11B1, # 11C1, # 11D1, # 11E1, #11F1, # 12A1, # 12B1, # 12C1, # 12D1 and # 12F1.
The results are found on pages 7 through 11.

Acme Analytical Laboratories (Vancouver) Ltd.
9050 Shaughnessy St Vancouver BC V6P 6E5 CANADA
PHONE (604) 253-3158

Client: **Donald Bunce**
21670 Chief Lake Rd.
Prince George BC V2K 5K5 CANADA

Submitted By: Donald Bunce
Receiving Lab: Canada-Smithers
Received: October 09, 2013
Report Date: January 15, 2014
Page: 1 of 2

CERTIFICATE OF ANALYSIS

SMI13000375.1

CLIENT JOB INFORMATION

Project: Jade Fever
Shipment ID:
P.O. Number
Number of Samples: 16

SAMPLE DISPOSAL

DISP-PLP Dispose of Pulp After 90 days
DISP-RJT Dispose of Reject After 90 days

SAMPLE PREPARATION AND ANALYTICAL PROCEDURES

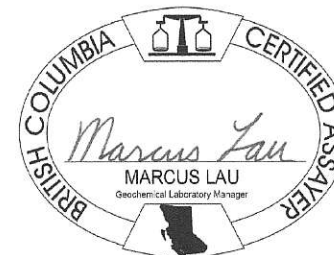
Procedure Code	Number of Samples	Code Description	Test Wgt (g)	Report Status	Lab
R200-250	15	Crush, split and pulverize 250 g rock to 200 mesh			SMI
Split Dry 105	15				VAN
Dry at 105C	15	Dry pulps @ 105 Deg. prior to analysis			VAN
4A	15	LiBO2/Li2B4O7 fusion ICP-ES analysis	0.1	Completed	VAN
7TD	15	Cu Ni Co by 4 Acid digestion, analysis by ICP-ES	0.5	Completed	VAN
LOI	15	Loss by loss on ignition		Completed	VAN

ADDITIONAL COMMENTS

Acme does not accept responsibility for samples left at the laboratory after 90 days without prior written instructions for sample storage or return.

Invoice To: **Donald Bunce**
21670 Chief Lake Rd.
Prince George BC V2K 5K5
CANADA

CC:



This report supersedes all previous preliminary and final reports with this file number dated prior to the date on this certificate. Signature indicates final approval; preliminary reports are unsigned and should be used for reference only. All results are considered the confidential property of the client. Acme assumes the liabilities for actual cost of analysis only. Results apply to samples as submitted. "*" asterisk indicates that an analytical result could not be provided due to unusually high levels of interference from other elements.

CERTIFICATE OF ANALYSIS

SMI13000375.1

Method	WGHT	4A	4A	4A	4A	4A	4A	4A	4A	4A	4A	4A	4A	4A	4A	4A	4A	4A	4A	7TD	
Analyte	Wgt	SiO2	Al2O3	Fe2O3	MgO	CaO	Na2O	K2O	TiO2	P2O5	MnO	Cr2O3	Ba	Sr	Zr	Y	Nb	Sc	Sum	Cu	
Unit	kg	%	%	%	%	%	%	%	%	%	%	%	ppm	ppm	ppm	ppm	ppm	ppm	%	%	
MDL	0.01	0.01	0.01	0.04	0.01	0.01	0.01	0.01	0.01	0.01	0.01	0.002	5	2	5	3	5	1	0.01	0.001	
10A1	Rock	0.25	54.44	16.99	8.17	3.99	5.50	4.33	2.07	0.91	0.24	0.12	0.011	1216	418	149	23	26	22	99.77	0.004
10B1	Rock	0.29	56.43	18.00	6.48	2.87	5.28	4.98	1.88	0.65	0.21	0.11	0.003	1228	448	108	20	<5	18	99.86	0.004
10C1	Rock	0.23	60.43	16.22	5.20	2.13	5.81	3.84	1.94	0.47	0.17	0.10	0.003	1067	414	98	18	<5	12	99.90	0.003
10D1	Rock	0.25	58.42	17.40	5.24	2.34	4.66	5.29	2.01	0.52	0.17	0.10	0.003	1139	452	82	20	11	14	99.91	0.003
11A1	Rock	0.23	56.64	14.05	11.10	3.55	5.18	4.35	0.96	1.02	0.25	0.19	0.004	1069	487	186	19	<5	18	99.85	0.004
11B1	Rock	0.23	59.14	16.66	5.89	2.83	4.88	5.63	1.54	0.60	0.19	0.11	0.006	939	501	99	16	<5	16	99.91	0.002
11C1	Rock	0.31	58.28	17.02	6.35	2.72	4.94	5.07	1.89	0.60	0.20	0.12	0.016	1265	499	108	16	<5	17	99.92	<0.001
11D1	Rock	0.18	57.69	17.50	7.35	3.08	3.10	4.61	2.52	0.69	0.23	0.11	0.008	1426	419	121	19	6	17	99.86	0.004
11E1	Rock	0.20	57.77	16.03	6.09	3.01	7.19	3.25	1.78	0.57	0.15	0.11	0.009	839	443	79	18	<5	17	99.86	0.003
11F1	Rock	0.25	57.15	18.19	6.15	2.90	4.65	5.06	2.05	0.66	0.22	0.11	0.003	1118	448	100	19	<5	17	99.87	0.003
12A1	Rock	0.26	61.66	12.27	5.16	2.16	8.91	1.61	1.40	0.43	0.14	0.10	0.007	570	991	62	12	<5	12	99.90	0.001
12B1	Rock	0.19	58.44	17.16	6.56	2.70	5.38	2.67	2.50	0.59	0.22	0.12	0.003	957	289	114	17	17	15	99.85	0.002
12C1	Rock	0.39	55.48	17.55	6.37	2.92	6.68	3.02	2.47	0.60	0.22	0.11	0.006	1164	468	91	20	6	18	99.85	0.001
12D1	Rock	0.30	59.21	12.95	5.62	2.43	8.67	2.83	1.30	0.49	0.15	0.10	<0.002	620	1340	80	15	<5	13	99.83	0.002
12E1	Rock	L.N.R.	L.N.R.	L.N.R.	L.N.R.	L.N.R.	L.N.R.	L.N.R.	L.N.R.	L.N.R.	L.N.R.	L.N.R.	L.N.R.	L.N.R.	L.N.R.	L.N.R.	L.N.R.	L.N.R.	L.N.R.	L.N.R.	L.N.R.
12F1	Rock	0.25	60.05	17.13	5.56	2.48	3.89	5.62	1.87	0.55	0.21	0.11	<0.002	1133	464	111	18	<5	15	99.90	0.002



A Bureau Veritas Group Company

www.acmelab.com

Acme Analytical Laboratories (Vancouver) Ltd.

9050 Shaughnessy St Vancouver BC V6P 6E5 CANADA

PHONE (604) 253-3158

Client: Donald Bunce
21670 Chief Lake Rd.
Prince George BC V2K 5K5 CANADA

Project: Jade Fever
Report Date: January 15, 2014

Page: 2 of 2

Part: 2 of 2

CERTIFICATE OF ANALYSIS

SMI13000375.1

Method	7TD	7TD	LOI	
Analyte	NI	Co	LOI	
Unit	%	%	%	
MDL	0.001	0.001	-5.11	
10A1	Rock	0.003	0.001	2.78
10B1	Rock	0.002	0.001	2.76
10C1	Rock	0.002	<0.001	3.41
10D1	Rock	0.002	<0.001	2.56
11A1	Rock	0.002	0.001	2.35
11B1	Rock	0.002	<0.001	2.47
11C1	Rock	0.001	0.001	2.50
11D1	Rock	0.002	0.001	2.76
11E1	Rock	0.002	0.001	3.75
11F1	Rock	0.001	0.001	2.54
12A1	Rock	0.002	<0.001	5.86
12B1	Rock	0.002	0.001	3.36
12C1	Rock	0.001	0.001	4.22
12D1	Rock	0.002	0.001	5.83
12E1	Rock	L.N.R.	L.N.R.	L.N.R.
12F1	Rock	0.002	0.001	2.24

QUALITY CONTROL REPORT

SMI13000375.1

Method	WGHT	4A	4A	4A	4A	4A	4A	4A	4A	4A	4A	4A	4A	4A	4A	4A	4A	4A	4A	4A	7TD
Analyte	Wgt	SiO2	Al2O3	Fe2O3	MgO	CaO	Na2O	K2O	TiO2	P2O5	MnO	Cr2O3	Ba	Sr	Zr	Y	Nb	Sc	Sum	Cu	
Unit	kg	%	%	%	%	%	%	%	%	%	%	%	ppm	ppm	ppm	ppm	ppm	ppm	%	%	
MDL	0.01	0.01	0.01	0.04	0.01	0.01	0.01	0.01	0.01	0.01	0.01	0.002	5	2	5	3	5	1	0.01	0.001	
Pulp Duplicates																					
11A1	Rock	0.23	56.64	14.05	11.10	3.55	5.18	4.35	0.98	1.02	0.25	0.19	0.004	1069	487	186	19	<5	18	99.65	0.004
REP 11A1	QC																				0.003
11C1	Rock	0.31	58.28	17.02	6.35	2.72	4.94	5.07	1.89	0.80	0.20	0.12	0.016	1265	499	108	16	<5	17	99.92	<0.001
REP 11C1	QC		58.37	16.97	6.30	2.73	4.95	5.04	1.91	0.81	0.20	0.12	0.014	1254	495	105	16	11	17	99.93	
12D1	Rock	0.30	59.21	12.95	5.62	2.43	8.87	2.83	1.30	0.49	0.15	0.10	<0.002	620	1340	80	15	<5	13	99.83	0.002
REP 12D1	QC		59.23	13.03	5.62	2.43	8.70	2.82	1.28	0.49	0.12	0.10	0.006	610	1335	97	16	18	13	99.90	
12F1	Rock	0.25	60.05	17.13	5.56	2.48	3.89	5.62	1.87	0.55	0.21	0.11	<0.002	1133	464	111	18	<5	15	99.90	0.002
REP 12F1	QC																				
Reference Materials																					
STD DOLOMITE-2-D	Standard																				
STD NILAT-N3	Standard																				
STD NILAT-N3	Standard		47.97	2.85	33.53	5.71	6.27	0.02	0.03	0.07	<0.01	0.66	1.862	153	5	27	10	<5	17	99.74	
STD NILAT-N3	Standard																				0.005
STD NILAT-N3	Standard		47.69	2.85	33.81	5.75	0.27	0.01	0.02	0.07	0.03	0.66	1.834	155	5	23	9	10	16	99.78	
STD OREAS182	Standard																				0.005
STD SO-18-D	Standard		57.81	14.21	7.68	3.37	6.47	3.69	2.17	0.69	0.81	0.39	0.548	490	388	292	33	<5	24	99.91	
STD SO-18-D	Standard		57.97	14.18	7.64	3.38	6.43	3.68	2.14	0.69	0.80	0.39	0.547	489	388	291	31	20	24	99.89	
STD DOLOMITE-2-D																					
STD OREAS182 Expected																					0.0049
STD NILAT-N3 Expected			48.132	2.847	33.253	5.672	0.27	0.013	0.035	0.073	0.026	0.66	1.837	161	5	21.79	9.14		18		0.005
BLK	Blank		<0.01	<0.01	<0.04	<0.01	<0.01	<0.01	<0.01	<0.01	<0.01	<0.01	<0.002	<5	<2	<5	<3	<5	<1	<0.01	
BLK	Blank																				<0.001
BLK	Blank		<0.01	<0.01	<0.04	<0.01	<0.01	<0.01	<0.01	<0.01	<0.01	<0.01	<0.002	<5	<2	<5	<3	<5	<1	<0.01	
Prep Wash																					
G1-SMI	Prep Blank		67.25	15.77	3.36	1.18	3.50	3.59	3.68	0.39	0.19	0.10	<0.002	1021	710	139	20	13	6	99.84	<0.001
G1-SMI	Prep Blank		67.25	15.81	3.41	1.14	3.35	3.62	3.83	0.38	0.17	0.10	<0.002	1065	709	136	19	21	7	99.82	0.001



www.acmelab.com

Acme Analytical Laboratories (Vancouver) Ltd.
 9050 Shaughnessy St Vancouver BC V6P 6E5 CANADA
 PHONE (604) 253-3158

Client: **Donald Bunce**
 21670 Chief Lake Rd.
 Prince George BC V2K 5K5 CANADA

Project: **Jade Fever**
 Report Date: **January 15, 2014**

Page: 1 of 1

Part: 2 of 2

QUALITY CONTROL REPORT

SMI13000375.1

Method		7TD	7TD	LOI
Analyte		NI	Co	LOI
Unit		%	%	%
MDL		0.001	0.001	-5.11
Pulp Duplicates				
11A1	Rock	0.002	0.001	2.35
REP 11A1	QC	0.001	0.002	
11C1	Rock	0.001	0.001	2.50
REP 11C1	QC			
12D1	Rock	0.002	0.001	5.83
REP 12D1	QC			
12F1	Rock	0.002	0.001	2.24
REP 12F1	QC			2.20
Reference Materials				
STD DOLOMITE-2-D	Standard			46.35
STD NILAT-N3	Standard			5.97
STD NILAT-N3	Standard			
STD NILAT-N3	Standard	0.740	0.085	
STD NILAT-N3	Standard			
STD OREAS182	Standard	0.727	0.072	
STD SO-18-D	Standard			
STD SO-18-D	Standard			
STD DOLOMITE-2-D				45.9
STD OREAS182 Expected		0.706	0.0723	
STD NILAT-N3 Expected		0.708	0.078	5.86
BLK	Blank			
BLK	Blank	<0.001	<0.001	
BLK	Blank			
Prep Wash				
G1-SMI	Prep Blank	<0.001	<0.001	0.61
G1-SMI	Prep Blank	<0.001	<0.001	0.54

This report supersedes all previous preliminary and final reports with this file number dated prior to the date on this certificate. Signature indicates final approval; preliminary reports are unsigned and should be used for reference only.

- // -

Statement of Exploration and Development

Statement of costs

2013 Exploration Costs for (Jade Fever Project)

A - Compact excavator (KX41) costs		
- Trail construction - 0.798 km. 47.5 hours at \$53.37 per/ hour	<u>\$2535.08</u>	- \$2535.08
- Trench construction - 17.5 m 2 hours at \$53.37 per/ hour	\$106.74	
- Trench reclaimed - 17.5 m 1 hour at \$53.37 per/ hour	<u>\$53.37</u>	- \$160.11
B - Rock Analysis costs		
- For 15 samples	<u>\$766.76</u>	- \$766.76
C - Food & Lodging		
- For Donald Bunce 14 days at \$100.00 per/ day	\$1400.00	
- For Adeena Bunce 14 days at \$100.00 per/ day	<u>\$1400.00</u>	- \$2800.00
D - Transportation costs		
- 105 km. at 14 days = 1470 km. at \$0.55 per km.	<u>\$808.50</u>	- \$808.50
	Total	<u>\$7070.45</u>

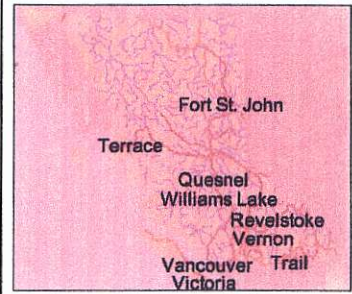
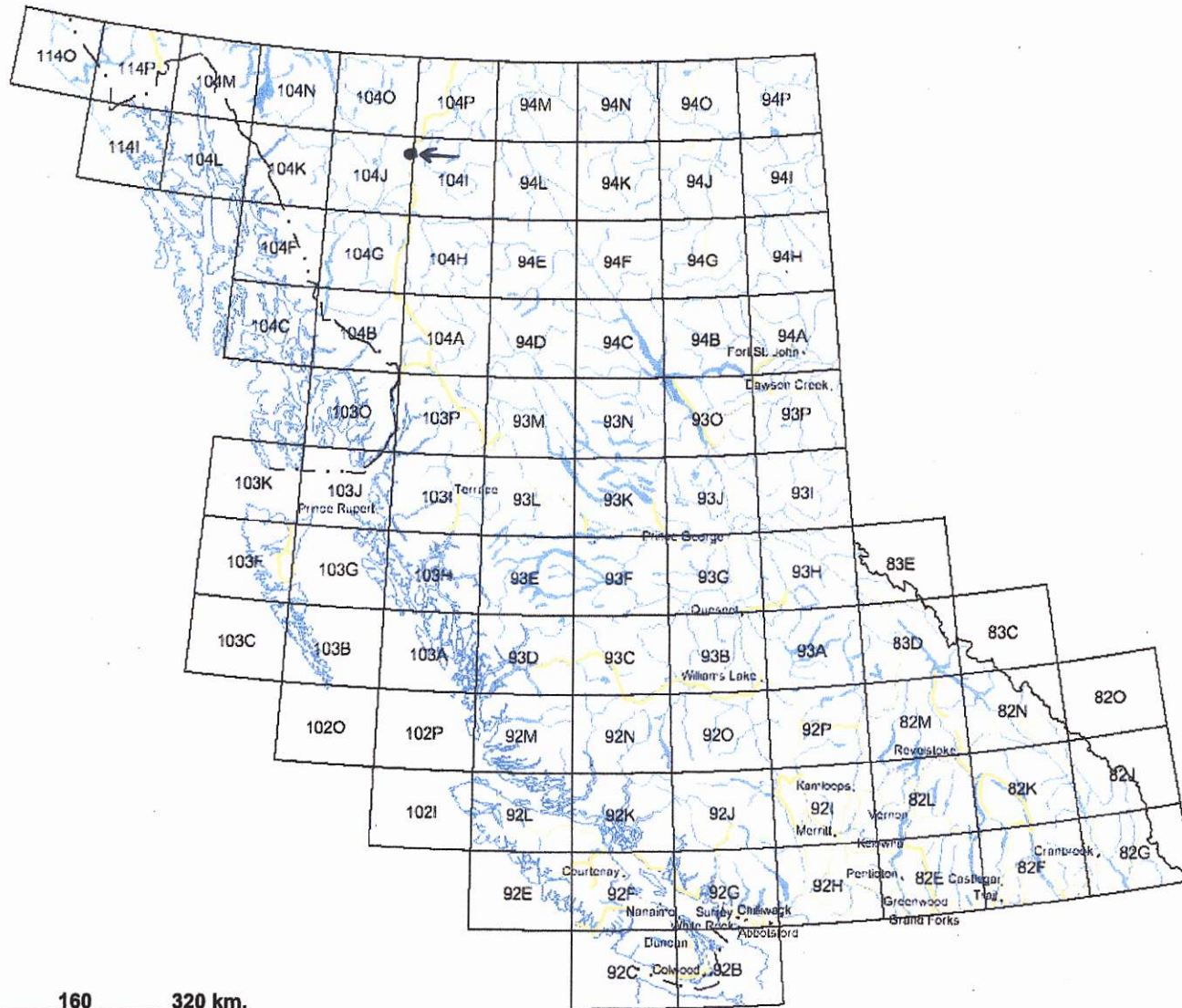
Statement of Exploration and Development

Author's Qualifications

I, Donald Bunce : am one of the recorded holders of the Jade Fever claims. I have been a jade prospector since 2005.

Donald Bunce

Internet Mapping Framework



Legend

- Provincial Boundary (1:6M)
- Boundary (International)
- Boundary (Interprovincial)
- NTS Grid
- Transportation - Lines (1:6M)
 - Road - Trunk
 - Road - Main
 - Rail Line
- Water - Lines (1:6M)
 - River/Stream - Definite
 - Lake - Definite
 - Island - Definite
 - Coastline - Definite
- Water - Polygons (1:6M)
 - River/Stream - Definite
 - Lake - Definite
- Major Cities

● Location of Jade Fever

Scale: 1:9,150,657

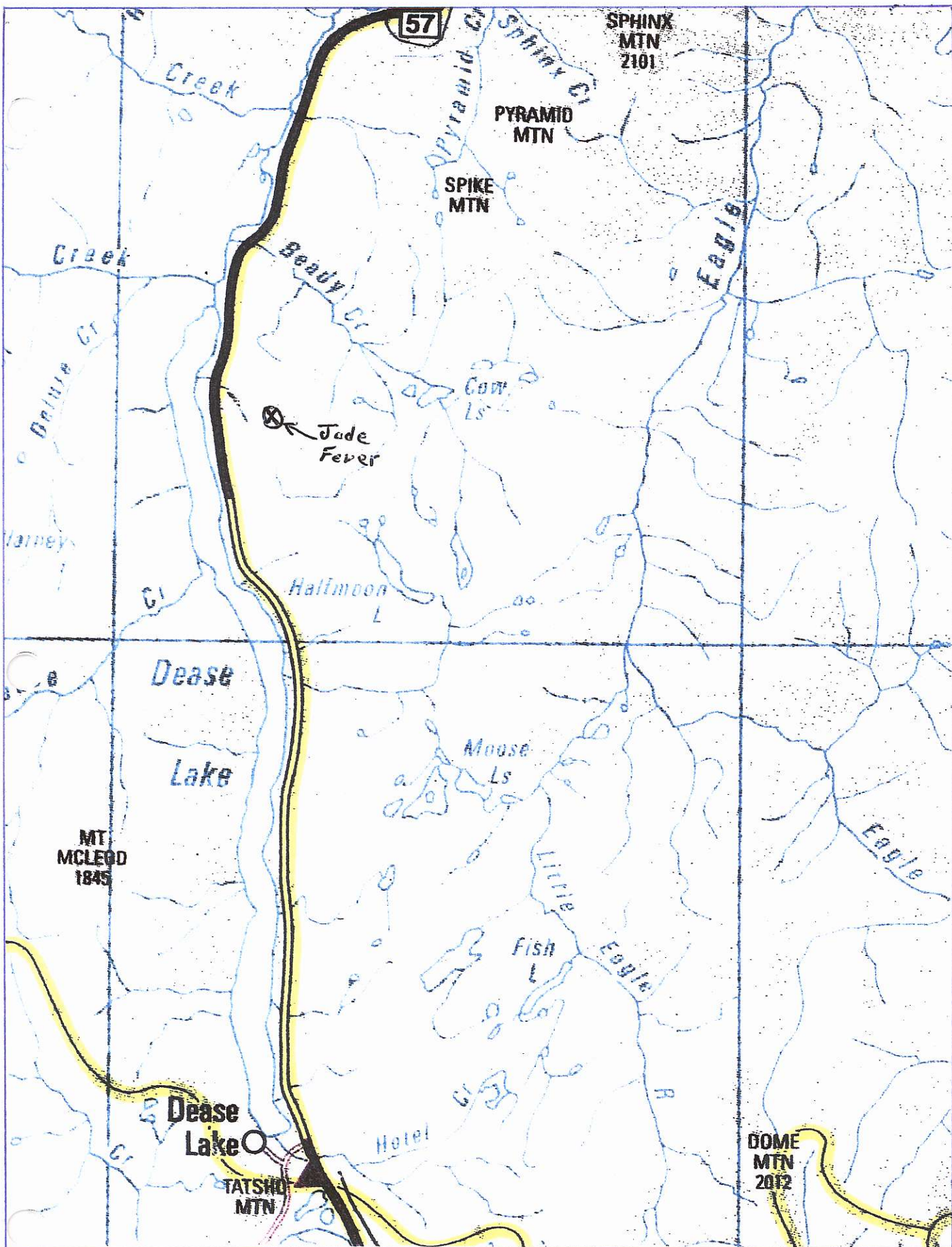
0 160 320 km.

Map center: 54°20' N, 125°25' W



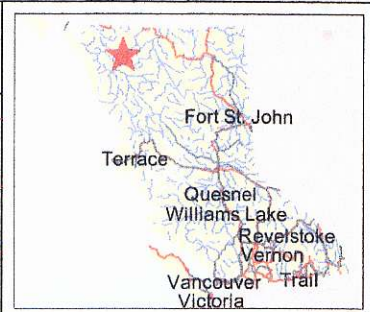
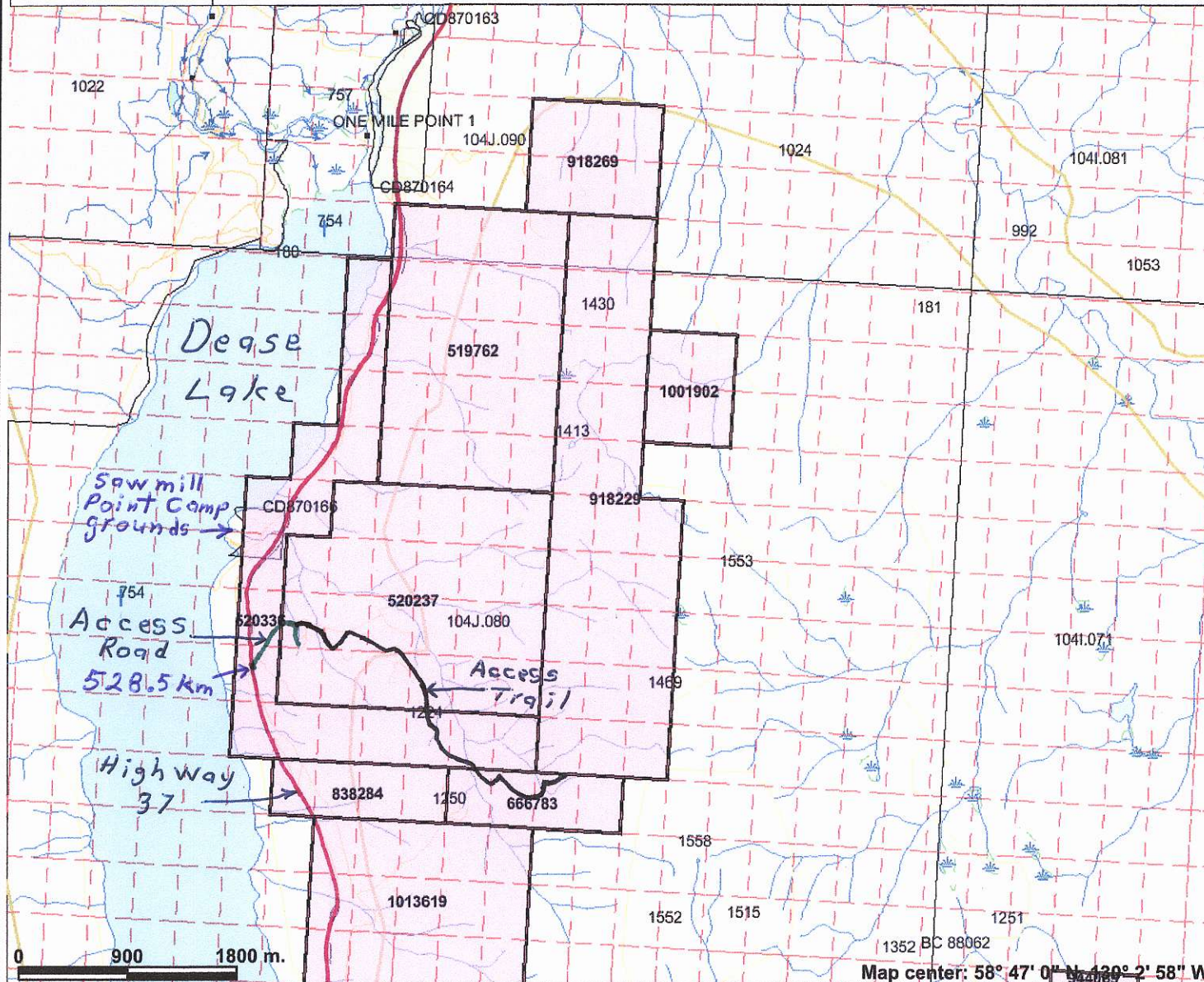
This map is a user generated static output from an Internet mapping site and is for general reference only. Data layers that appear on this map may or may not be accurate, current, or otherwise reliable. THIS MAP IS NOT TO BE USED FOR NAVIGATION.

Map #1 of British Columbia



Map #2

Showing Jade Fever from the nearest town



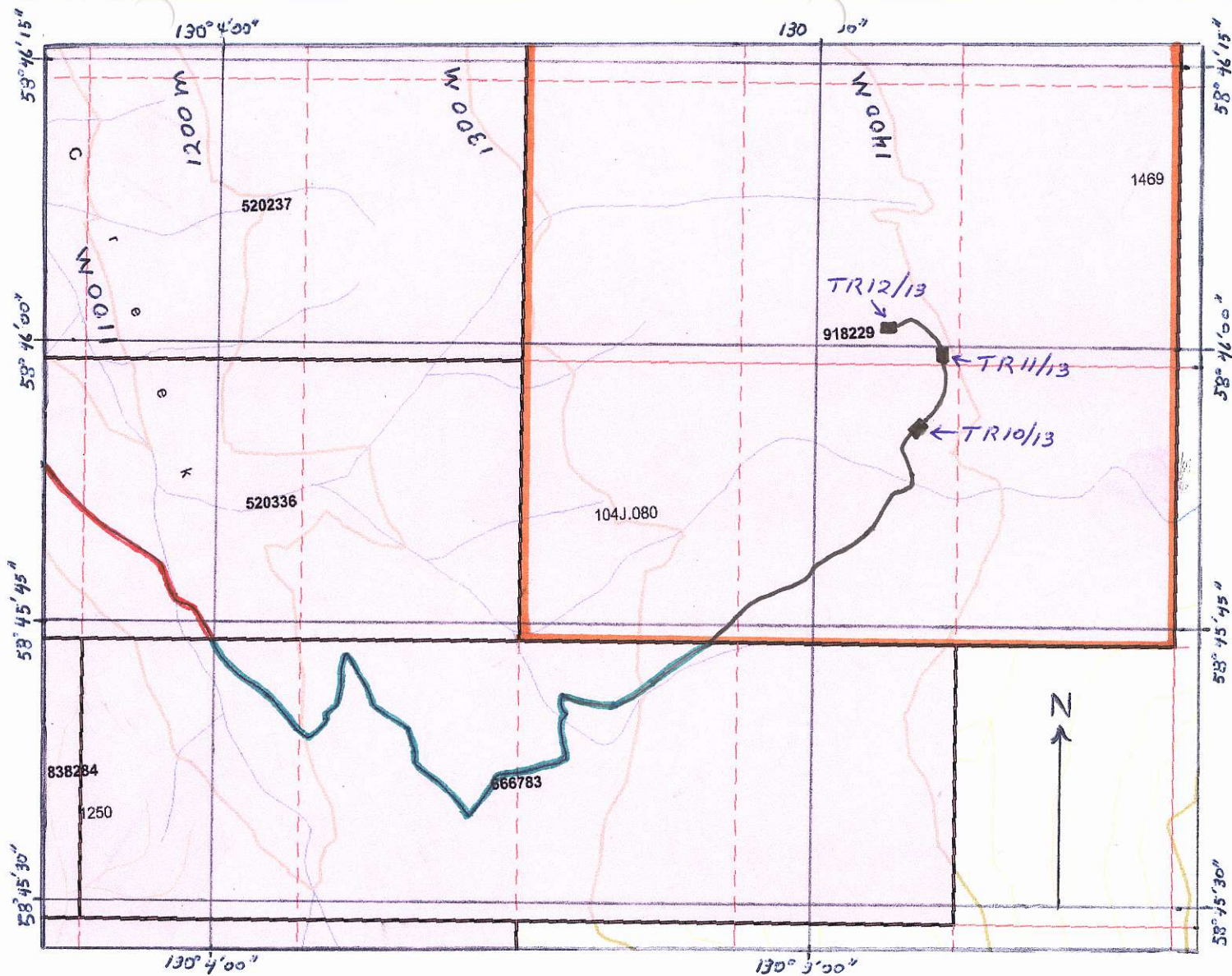
Legend

- Indian Reserves
- National Parks
- Conservancy Areas
- Parks
- Federal Transfer Lands
- MTO Grid (MTO)
- Mineral Tenure (current)
- Mineral Claim
- Mineral Lease
- Mineral Reserves (current)
- Placer Claim Designation
- Placer Lease Designation
- No Staking Reserve
- Conditional Reserve
- Release Required Reserve
- Surface Restriction
- Recreation Area
- Others
- First Nations Treaty Related Lands
- First Nations Treaty Lands
- Survey Parcels
- BCGS Grid
- Contours (1:250K)
- Contour - Index
- Contour - Intermediate
- Area of Exclusion
- Area of Indefinite Contours
- Transportation - Points (TRIM)
- Heli-pad
- Transportation - Lines (TRIM)

Scale: 1:50,000

This map is a user generated static output from an Internet mapping site and is for general reference only. Data layers that appear on this map may or may not be accurate, current, or otherwise reliable. THIS MAP IS NOT TO BE USED FOR NAVIGATION.

Map #3 Showing Highway 37, Access road and Access trail



Legend

- Access trail
- Exploration trail made in 2011 and 2012
- Exploration trail made in 2013
- Trenches made in 2013
- Claim boundary

Scale 1:10,000



Map #4

Showing work sites relative to the claim boundaries



Trench # TR10/13
Filled in



Trench # TR10/13
It is also marked with
a white board and
some pink ribbon



Trench # TR11/13

Filled in



Trench # TR11/13

It is also marked with
a white board and some
pink ribbon



Trench # TR12/13

Filled in



Trench # TR12/13

It is also marked with
a white board and some
pink ribbon



Picture of the
exploration trail



Picture of the
exploration trail

Picture of the exploration trail

